
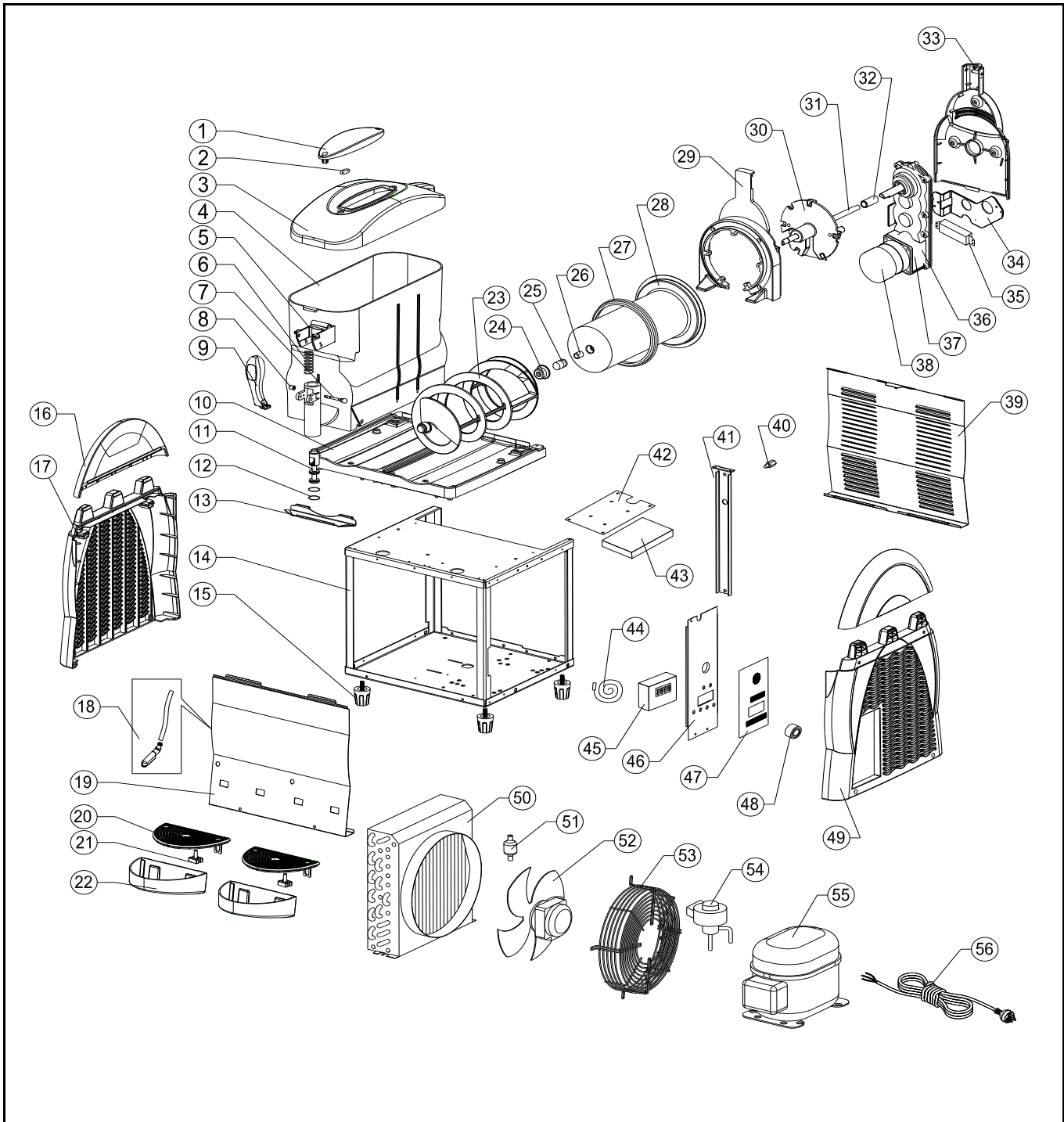



Drawing

 HENDI FOOD SERVICE EQUIPMENT Hendi B.V. Steenoven 21 3911 TX Rhenen The Netherlands	Batch #	Appliance part#
	170913 and up	274224
	Description	
	Slush Machine 2X12L	

Date	03-10-2018	Revision #	1.0
Revision	First Bill of Materials		



Bill of materials (BOM)

 Hendi B.V. Steenoven 21 3911 TX Rhenen The Netherlands	Batch #	Appliance part#
	170913 and up	274224
	Description	
Slush Machine 2X12L		

Date	03-10-2018	Revision #	1.0
Revision	First Bill of Materials		


Item	Description	Part#	Quantity	Remark	Picture
1	LED light Holder	nss	2	Available as 946534	
2	LED light	nss	2	Available as 946534	
3	Lid complete	946534	2	Incl item 1 and 2 (sold per 1 pcs)	
4	Bowl	946541	2		
5	Handle seat	946558	2		
6	Spring of tap	nss	2	Available as 946565	
7	Lock pin incl nut	946572	2	Incl item 8 and in set 946565	
8	Nut of Pin	nss	2	Available as 946572 and in set 946565	
9	Faucet complete assembly	946565	2	Incl item 6,7,8,9,11 and 12	
10	Top panel	n/a	1		
11	Lever faucet	nss	2	Available as 946565	
12	Seal faucet	946985	4	Also available in 946565 and 946756	
13	Deflector (stainless steel)	946589	1		
14	Frame	n/a	1		
15	Feet	946596	4		
16	Upper side cover (left)	n/a	1		
17	Lower side cover (left)	n/a	1		
18	Drainage tube	946602	2		
19	Front cover	n/a	1		
20	Grid drip tray	nss	2		
21	Float indicator	nss	2		
22	Drip tray complete assembly	946619	2	Inclt item 20 and 21	
23	Auger	946626	2		
24	Seal auger	946633	2		
25	Seal of axis	946640	2		
26	Washer	n/a	2		
27	Seal silicone bowl / evaporator	946657	2		
28	Evaporator	n/a	2		
29	Bracket evaporator	n/a	2		
30	Bracket	n/a	2		
31	Drive axle	n/a	2		
32	Coupling	n/a	2		
33	Cover	n/a	2		
34	Bracket (gear/motor)	n/a	2		
35	E-Driver module for motor	946992	2		
36	Gear/motor complete assembly	946664	2	Incl item 36 and 37	
37	Coupler	nss	2		
38	Brushless DC Motor	nss	2		
39	Back cover	n/a	1		
40	Bracket	n/a	1		
41	Spacer	n/a	1		
42	Bracket power supply	n/a	1		
43	Power supply (stabilized)	946671	1		
44	Sensor	946688	2		
45	Digital controller	946695	1		
46	Bracket digital controller	n/a	1		
47	Sticker of control panel	946701	1		
49	Lower side cover (right)	n/a	1		
50	Condenser	n/a	1		
51	Filter drier	n/a	1		
52	Fan motor	946718	1		
53	Cover for Condenser	n/a	2		
54	Electronic valve	946725	2		
55	Compressor	946732	1		

56	Power cord	946749	1		
*	Seal kit (one container)	946756	1	*Not shown on exploded view	

n/a -> not available

nss -> not sold separately

Circuit diagram

 <p>Hendi B.V. Steenoven 21 3911 TX Rhenen The Netherlands</p>	Batch #	Appliance part#
	170913 and up	274224
	Description	
	Slush Machine 2X12L	

Date	03-10-2018	Revision #	1.0
Revision	First Bill of Materials		

