
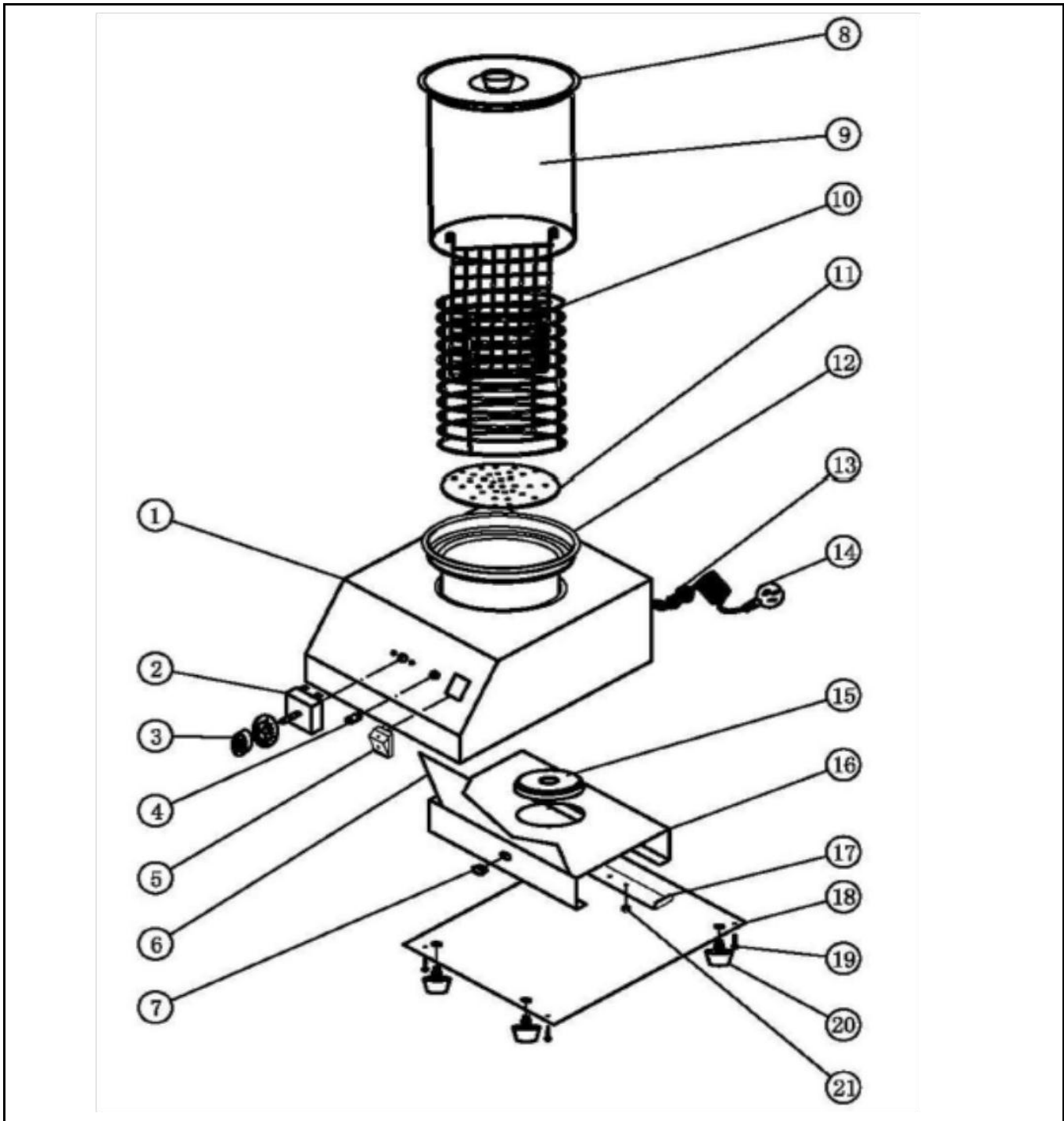



Drawing

 <p>Hendi B.V. Steenoven 21 3911 TX Rhenen The Netherlands</p>	Batch #	Appliance part#
	800673 until 201641	265000
	Description	
	Sausage Warmer	

Date	08-02-2013	Revision #	Revision version
Revision	First bill of materials (BOM)		



Bill of materials (BOM)

 Hendi B.V. Steenoven 21 3911 TX Rhenen The Netherlands	Batch #	Appliance part#
	800673 until 201641	265000
	Description	
	Sausage Warmer	


Date	08-02-2013	Revision #	Revision version
Revision	First bill of materials (BOM)		

Item	Description	Part#	Quantity	Remark	Picture
1	Housing	n/a	1		
2	Energy regulator	201121	1		
3	Knob	921104	1		
4	Indicator light	921111	1		
5	Switch	205426	1		
6	Bracket	n/a	1		
7	Grommet	n/a	1		
8	Lid	921128	1		
9	Glas cilinder	921135	1		
10	Grid	928653	1		
11	Grid	928660	1		
12	Pan	921166	1		
13	Inlet with retention	912201	1		
14	Power chord (H05RN-F 3Gx1,0mm ²)	930038	1		
15	Element	265024	1		
16	Bracket element	n/a	1		
17	Bracket	n/a	1		
18	Bottom cover	n/a	1		
19	Screw	n/a	4		
20	Foot	921159	4		
21	Nut	n/a	1		

n/a -> not available

nss -> not sold separately

Circuit diagram

 Hendi B.V. Steenoven 21 3911 TX Rhenen The Netherlands	Batch #	Appliance part#
	800673 until 201641	265000
	Description	
	Sausage Warmer	

Date	08-02-2013	Revision #	Revision version
Revision	First bill of materials (BOM)		

Not available.