

Drawing



Hendi B.V.
Steenoven 21
3911 TX Rhenen
The Netherlands

Batch #

200461 until 662488

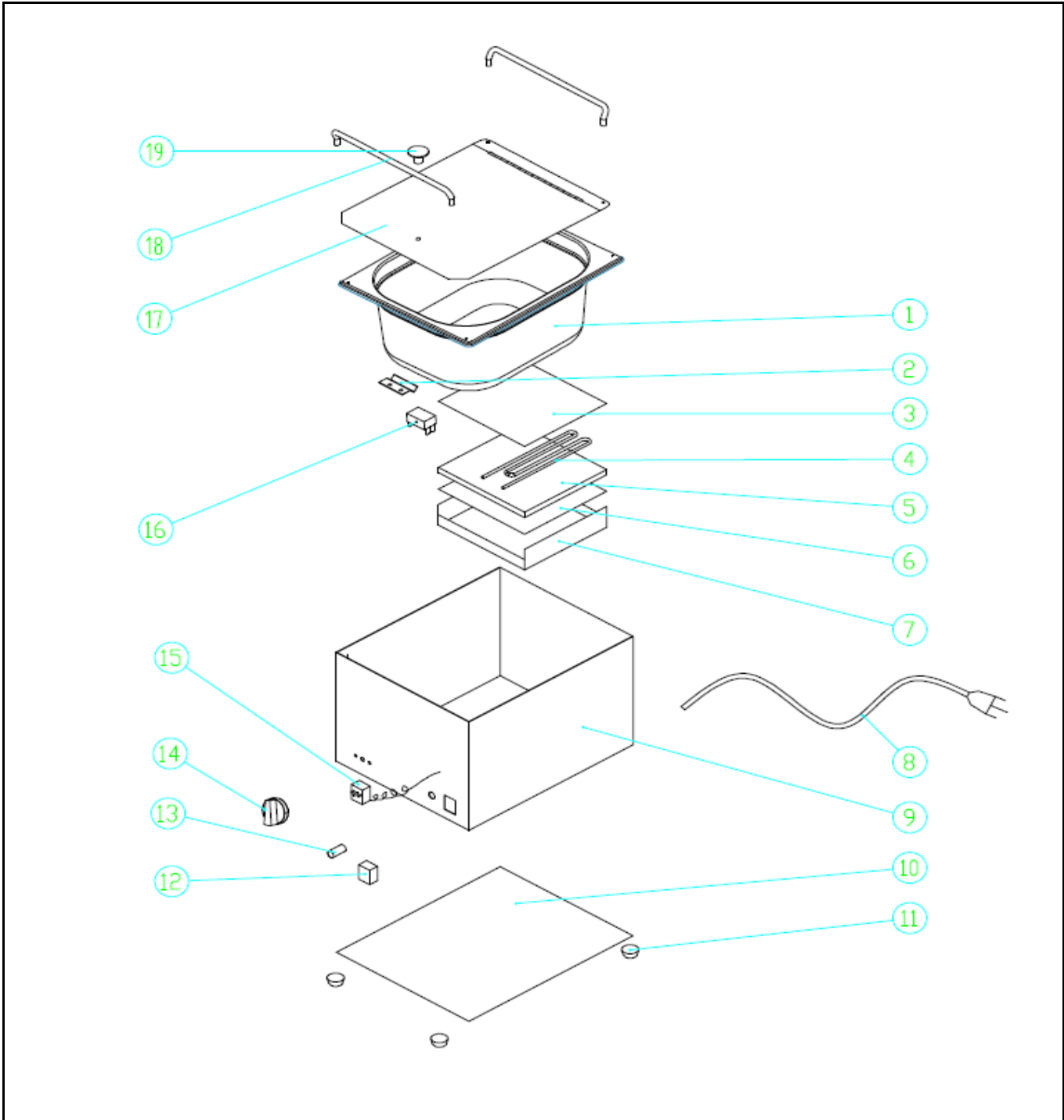
Appliance part#

240502


Description

Sausage warmer kitchen line

Date	10-01-2017	Revision #	Revision version
Revision	First bill of materials (BOM)		



Bill of materials (BOM)

 Hendi B.V. Steenoven 21 3911 TX Rhenen The Netherlands	Batch #	Appliance part#
	200461 until 662488	240502
	Description	
	Sausage warmer kitchen line	


Date	10-01-2017	Revision #	Revision version
Revision	First bill of materials (BOM)		

Item	Description	Part#	Quantity	Remark	Picture
1	Container	928639	1		
2	Holder temperature sensor	n/a	1		
3	Plate	n/a	1		
4	Element	928530	1		
5	Isolation	n/a	1		
6	Plate isolation	n/a	1		
7	Element holder	n/a	1		
8	Power cord	928646	1		
9	Frame	n/a	1		
10	Bottom cover	n/a	1		
11	Foot	928547	4		
12	Switch	205426	1		
13	Indicator light	928554	1		
14	Knob thermostat	928622	1		
15	Thermostat	928561	1		
16	Hi-limiter	928585	1		
17	Lid	928592	1		
18	Bracket container	928608	2		
19	Knob lid	928615	1		

n/a -> not available

nss -> not sold separately

Circuit diagram

 Hendi B.V. Steenoven 21 3911 TX Rhenen The Netherlands	Batch #	Appliance part#
	200461 until 662488	240502
	Description	
	Sausage warmer kitchen line	

Date	10-01-2017	Revision #	Revision version
Revision	First bill of materials (BOM)		

