
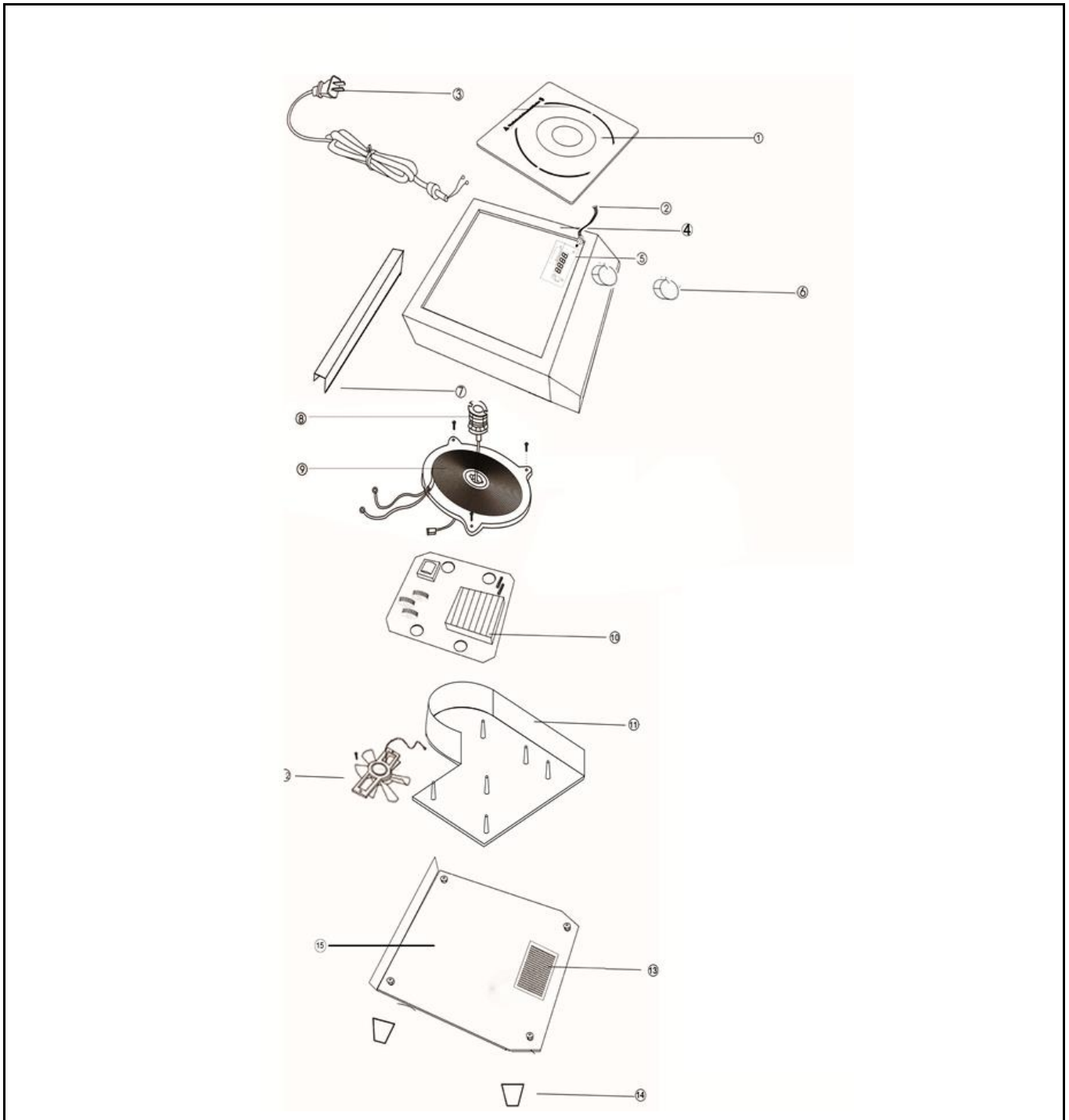



Drawing

 HENDI FOOD SERVICE EQUIPMENT Hendi B.V. Steenoven 21 3911 TX Rhenen The Netherlands	Batch #	Appliance part#
	000416 until 301958	239780
	Description	
	Induction cooker 3500W	

Date	22-05-2014	Revision #	Revision version 1.2
Revision	New version main pcb and new version control pcb.		



Bill of materials (BOM)

 Hendi B.V. Steenoven 21 3911 TX Rhenen The Netherlands	Batch #	Appliance part#
	000416 until 301958	239780
	Description	
Induction cooker 3500W		


Date	22-05-2014	Revision #	Revision version 1.2
Revision	New version main pcb and new version control pcb.		

Item	Description	Part#	Quantity	Remark	Picture
1	Glass plate	nss	1	Available as 919408	
2	Control pcb	nss	1	Available as 919484	
3	Power cord	929353	1		
4	Upper housing	919408	1	Incl item 1	
5	Display pcb	919484	1	Incl item 2	
6	Knob	919453	1		
7	Bracket	n/a	1		
8	Sensor	929360	1		
9	Induction coil	919460	1		
10	Main pcb	919477	1		
11	Bracket	n/a	1		
12	Fan 18V	919446	1		
13	Filter	929377	1		
14	Foot	929384	4		
15	Bottom cover	n/a	1		

n/a -> not available

nss -> not sold separately

Circuit diagram

 HENDI FOOD SERVICE EQUIPMENT Hendi B.V. Steenoven 21 3911 TX Rhenen The Netherlands	Batch #	Appliance part#
	000416 until 301958	239780
	Description	
	Induction cooker 3500W	

Date	22-05-2014	Revision #	Revision version 1.2
Revision	New version main pcb and new version control pcb.		

