
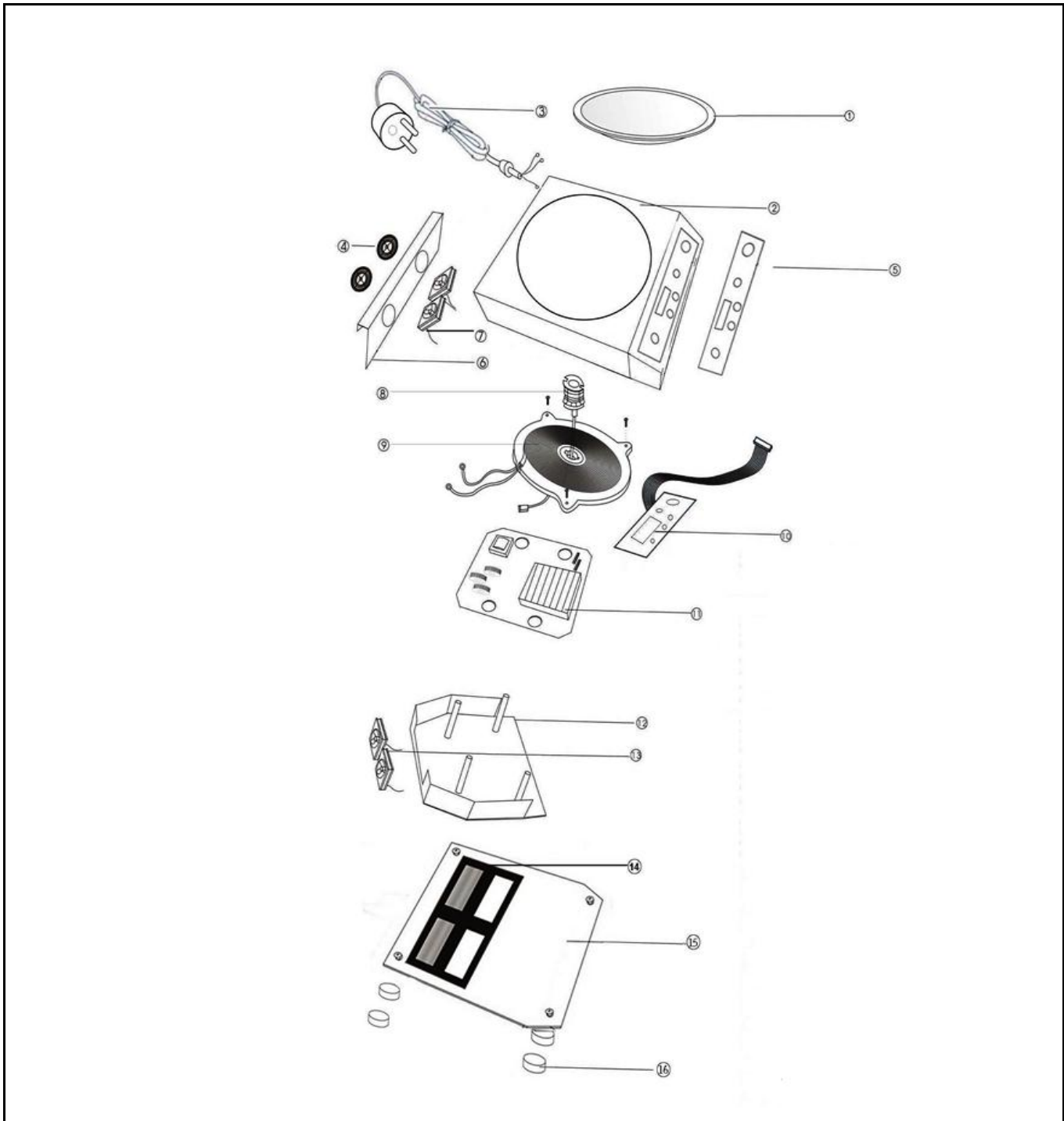



### Drawing

 <p><b>Hendi B.V.</b>                  Steenoven 21                  3911 TX Rhenen                  The Netherlands</p>	<b>Batch #</b>	<b>Appliance part#</b>
	000380 until 100811	<b>239766</b>
	<b>Description</b>	
	<b>Induction wok</b>	

<b>Date</b>	29-01-2013	<b>Revision #</b>	Revision version 1.2
<b>Revision</b>	New fan 18V 60x60mm (item 13)		



**Bill of materials (BOM)**

 <b>Hendi B.V.</b> Steenoven 21 3911 TX Rhenen The Netherlands	<b>Batch #</b>	<b>Appliance part#</b>
	000380 and up	<b>239766</b>
	<b>Description</b>	
	Induction wok	


<b>Date</b>	29-01-2013	<b>Revision #</b>	Revision version 1.2
<b>Revision</b>	New fan 18V 60x60mm (item 13)		

Item	Description	Part#	Quantity	Remark	Picture
1	Ceramic wok	nss	1	Available as 916711	
2	Upper housing	916711	1	Incl item 1	
3	Power cord	929353	1		
4	Cover Fan	n/a	2		
5	Display sticker	916742	1		
6	Bracket	n/a	1		
7	Fan 18V 80x80mm	901441	2		
8	Sensor	929735	1		
9	Main coil	916759	1		
10	Control pcb	916735	1		
11	Main pcb	916728	1		
12	Plastic bracket	n/a	1		
13	Fan 18V 60x60mm	926710	2		
14	Filter	929759	1		
15	Bottom cover	n/a	1		
16	Foot	901373	4		

n/a -> not available

nss -> not sold separately

## Wiring diagram

 <b>HENDI</b> <small>FOOD SERVICE EQUIPMENT</small>  <b>Hendi B.V.</b> Steenoven 21 3911 TX Rhenen The Netherlands	<b>Batch #</b>	<b>Appliance part#</b>
	000380 until 100811	<b>239766</b>
	<b>Description</b>	
	<b>Induction wok</b>	

<b>Date</b>	29-01-2013	<b>Revision #</b>	Revision version 1.2
<b>Revision</b>	New fan 18V 60x60mm (item 13)		

