

Drawing



Tools for Chefs

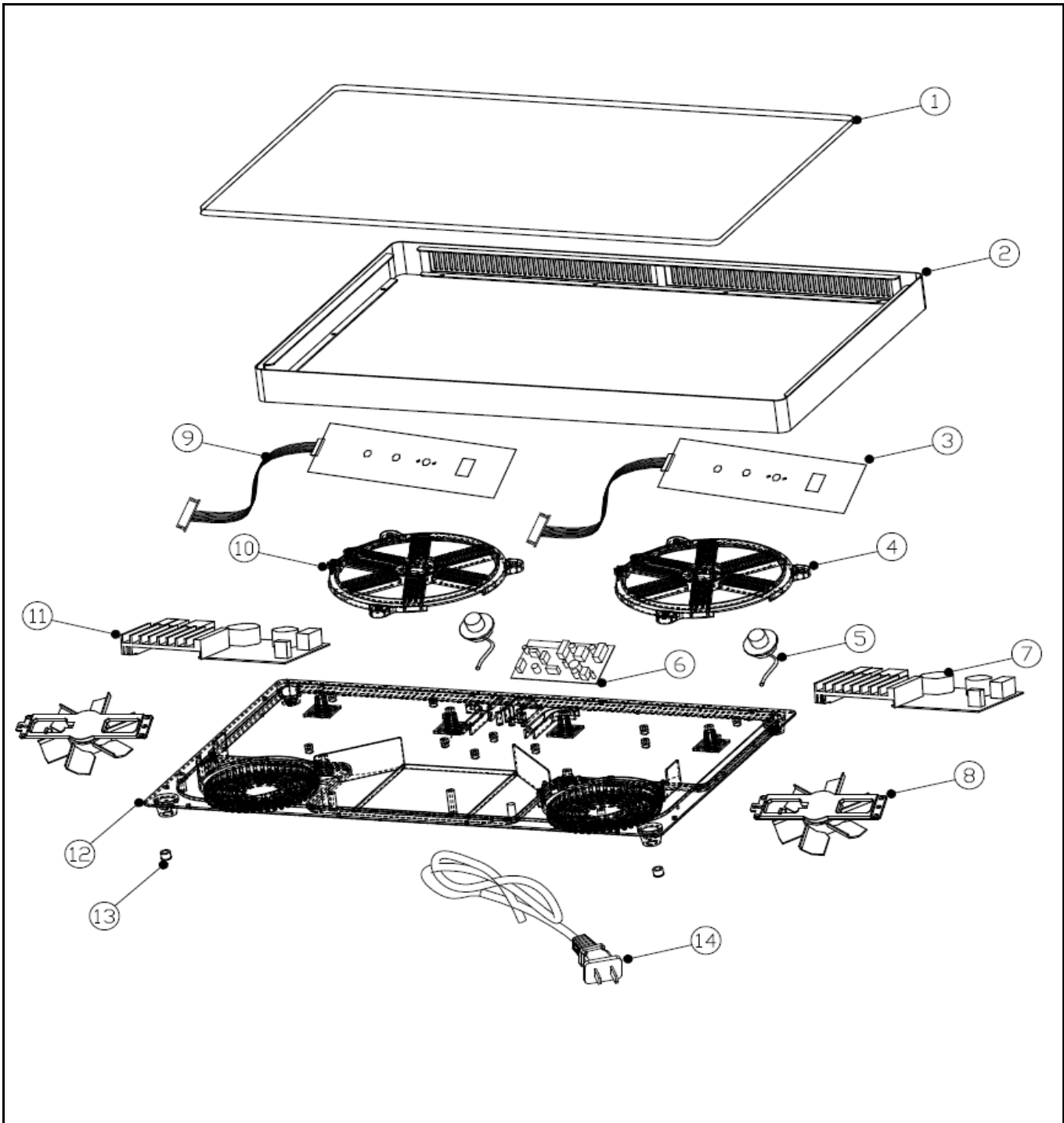
Hendi B.V.
Steenoven 21
3911 TX Rhenen
The Netherlands

Batch #
HK027219 and
up


Appliance part#
239414

Description
Double induction cooker Black Line

Date	27-01-2020	Revision #	Revision version
Revision	First Bill of Materials (BOM)		



Bill of materials (BOM)

 HENDI Tools for Chefs Hendi B.V. Steenoven 21 3911 TX Rhenen The Netherlands	Batch #	Appliance part#
	HK027219 and up	239414
	Description	
	Double induction cooker Black Line	


Date	27-01-2020	Revision #	Revision version
Revision	First Bill of Materials (BOM)		

Item	Description	Part#	Quantity	Remark	Picture
1	Glass Plate	nss	1	Available as 952177	
2	Upper Housing	nss	1	Available as 952177	
1 + 2	Upper Housing incl. Glass	952177	1		
3	Control PCB (Right)	944196	1		
4	Main Coil (Right)	944226	1	(1500 Watts)	
5	Sensor	944233	2		
6	Filter PCB	944172	1		
7	Main PCB (Right)	944165	1	(1500 Watts)	
8	Fan	919446	2		
9	Control PCB (Left)	944189	1		
10	Main Coil (Left)	944219	1	(2000 Watts)	
11	Main PCB (Left)	944158	1	(2000 Watts)	
12	Bottom Housing	n/a	1		
13	Feet	944240	4		
14	Powercord	944318	1	(H05VV-F 3G1.5mm2)	

n/a -> not available

nss -> not sold separately

Wiring diagram

 <b style="font-size: 24px; margin-left: 10px;">HENDI Tools for Chefs Hendi B.V. Steenoven 21 3911 TX Rhenen The Netherlands	Batch #	Appliance part#
	HK027219 and up	239414
	Description	
Double induction cooker Black Line		

Date	27-01-2020	Revision #	Revision version
Revision	First Bill of Materials (BOM)		

