
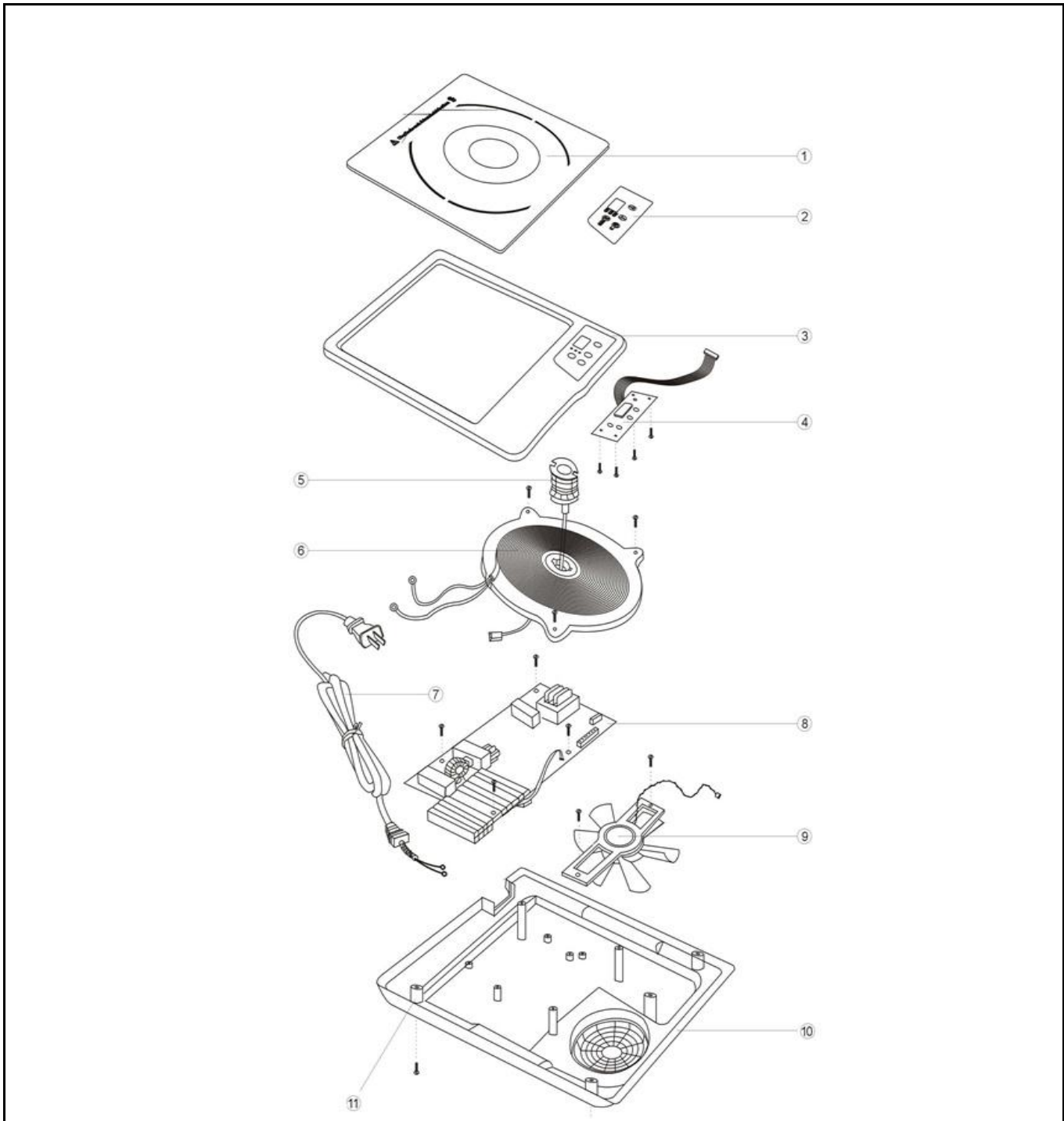



Drawing

 Hendi B.V. Steenoven 21 3911 TX Rhenen The Netherlands	Batch #	Appliance part#
	902157 until 000380	239209
	Description	
	Induction cooker 1800W	

Date	29-01-2013	Revision #	Revision version #
Revision	First bill of materials (BOM)		



Bill of materials (BOM)

 Hendi B.V. Steenoven 21 3911 TX Rhenen The Netherlands	Batch #	Appliance part#
	902157 until 000380	239209
	Description	
	Induction cooker 1800W	


Date	29-01-2013	Revision #	Revision version #
Revision	First bill of materials (BOM)		

Item	Description	Part#	Quantity	Remark	Picture
1	Glass plate	nss	1	Available as 900307	
2	Display sticker	901427	1		
3	Upper housing	900307	1	Incl item 1	
4	Control pcb	n/a	1	Production ceased	
5	Sensor	n/a	1		
6	Main coil	n/a	1		
7	Power cord	929766	1		
8	Main pcb	n/a	1	Production ceased	
9	Fan 18V	919446	1		
10	Bottom cover	n/a	1		
11	Feet	n/a	4		

n/a -> not available

nss -> not sold separately

Wiring diagram

 <b style="font-size: 24px; font-weight: bold;">HENDI <small>FOOD SERVICE EQUIPMENT</small> Hendi B.V. Steenoven 21 3911 TX Rhenen The Netherlands	Batch #	Appliance part#
	902157 until 000380	239209
	Description	
	Induction cooker 1800W	

Date	29-01-2013	Revision #	Revision version #
Revision	First bill of materials (BOM)		

