
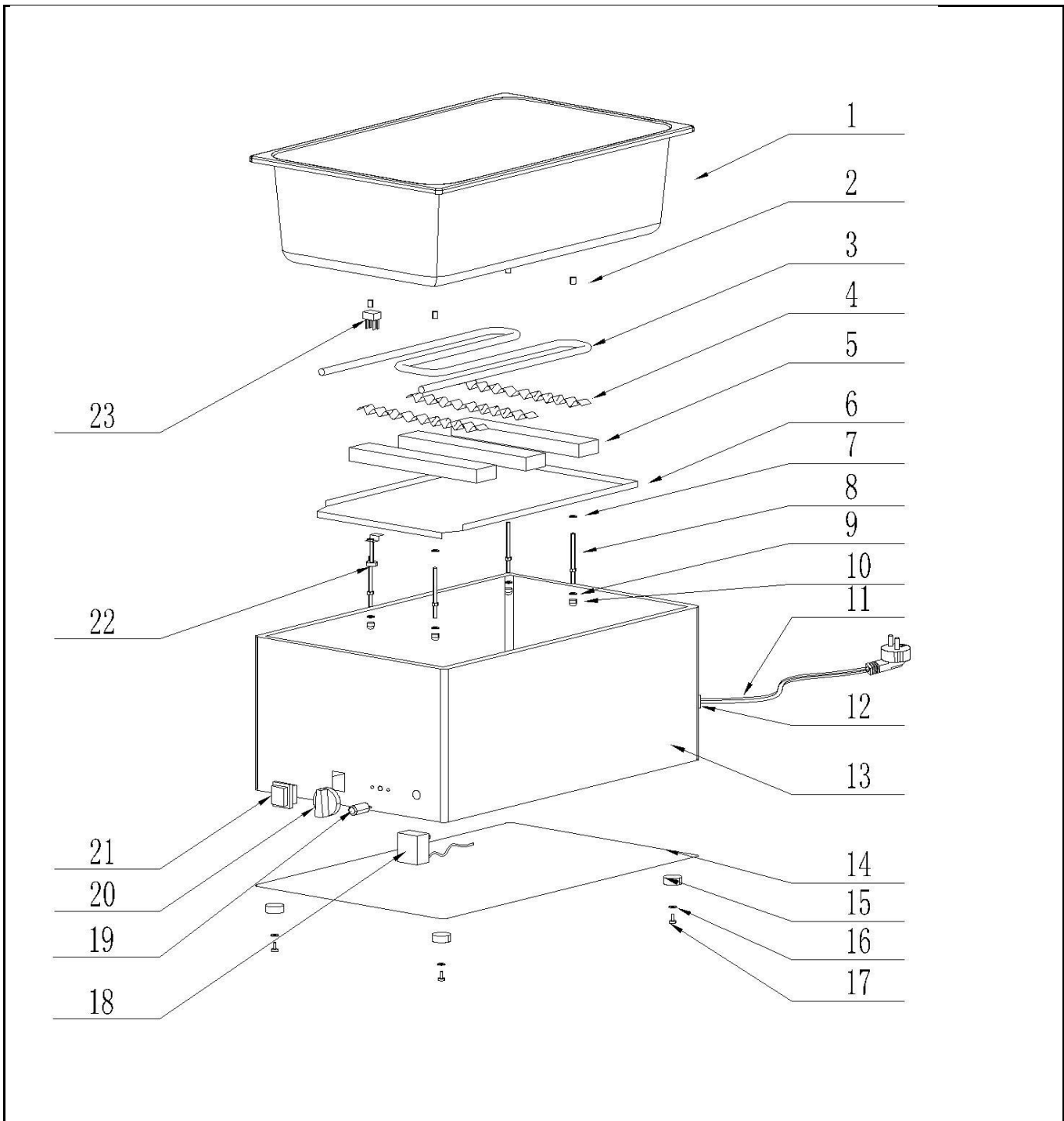



Drawing

 <p>Hendi B.V. Steenoven 21 3911 TX Rhenen The Netherlands</p>	Batch #	Appliance part#
	00000 until 402941	238905
	Description	
	Bain-Marie Ecoline	

Date	22-02-2016	Revision #	2009-01
Revision	First bill of materials (BOM)		



Bill of materials (BOM)

 Hendi B.V. Steenoven 21 3911 TX Rhenen The Netherlands	Batch #	Appliance part#
	00000 until 402941	238905
	Description	
	Bain-Marie Ecoline	


Date	22-02-2016	Revision #	2009-01
-------------	------------	-------------------	---------

Revision	First bill of materials (BOM)
-----------------	-------------------------------

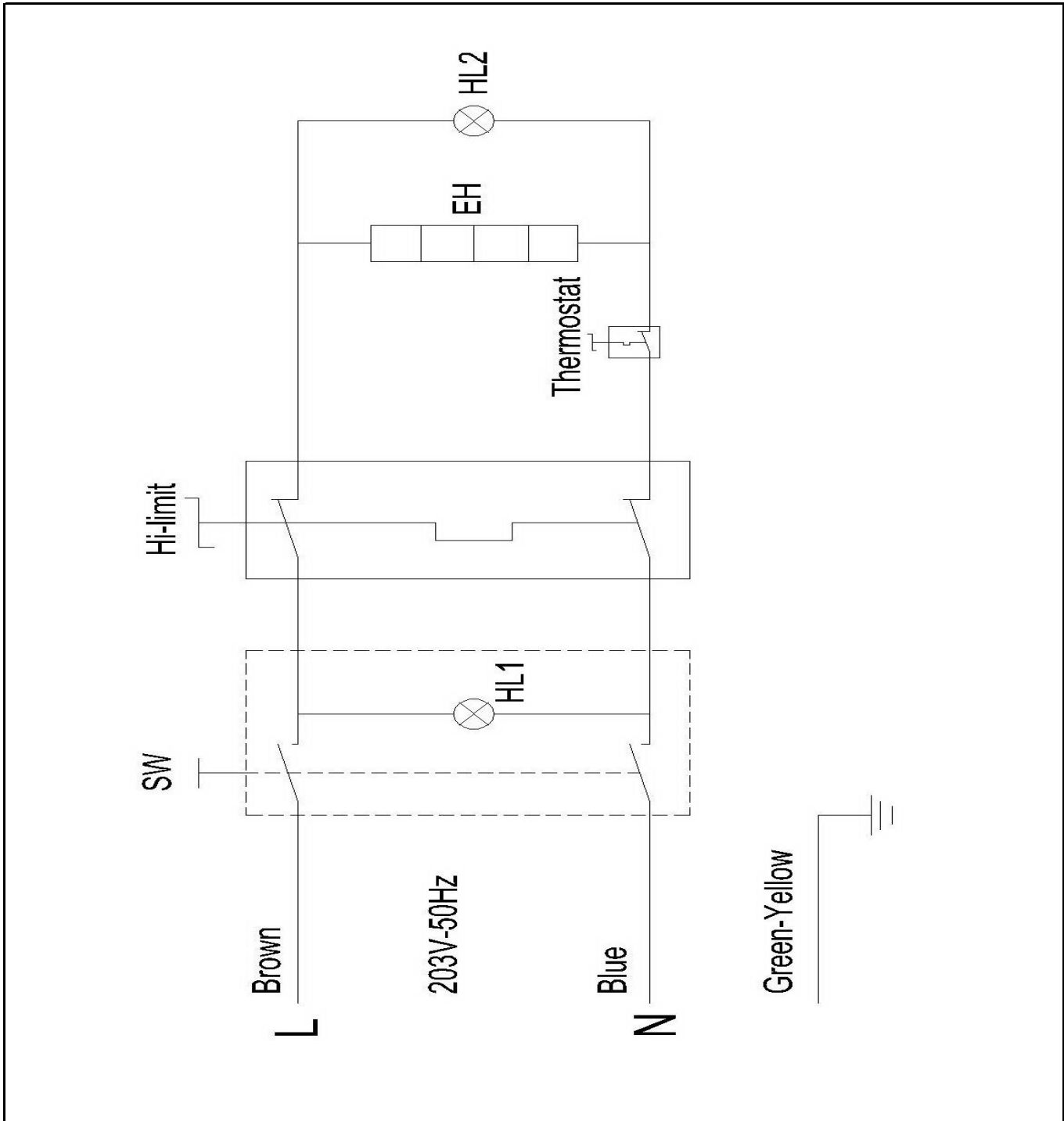
Item	Description	Part#	Quantity	Remark	Picture
1	Water pan	n/a	1		
2	Nut for water pan	n/a	4		
3	Element 1200W	900642	1		
4	Wave plate	n/a	3		
5	Fiberglas	n/a	3		
6	Cover for element	n/a	1		
7	Nut	n/a	4		
8	Long screw	n/a	4		
9	Washer	n/a	4		
10	Nut for long screw	n/a	4		
11	Power cord	930038	1		
12	Cord inlet with retention	900819	1		
13	Frame	n/a	1		
14	Bottom board	n/a	1		
15	Rubber feet	900611	4	available as set 900611	
16	Washer for feet	nss	4	available as set 900611	
17	Screw for feet	nss	4	available as set 900611	
18	EGO thermostat	900635	1		
19	Pilot lamp	900697	1		
20	Knob	900604	1		
21	ON-OFF Switch	205426	1		
22	Recover button	205495	1		
23	Over heat protect thermostat	900659	1		

n/a -> not available nss -> not sold separately


Circuit diagram

 Hendi B.V. Steenoven 21 3911 TX Rhenen The Netherlands	Batch #	Appliance part#
	00000 until 402941	238905
	Description	
	Bain-Marie Ecoline	

Date	22-02-2016	Revision #	2009-01
Revision	First bill of materials (BOM)		



Wiring diagram

 Hendi B.V. Steenoven 21 3911 TX Rhenen The Netherlands	Batch #	Appliance part#
	00000 until 402941	238905
	Description	
	Bain-Marie Ecoline	

Date	22-02-2016	Revision #	2009-01
Revision	First bill of materials (BOM)		

