

Drawing



Tools for Chefs

Hendi B.V.

Steenoven 21  
3911 TX Rhenen  
The Netherlands

Batch #

HK022818 and  
up

Appliance part#

238486

Description

Smoke oven electric

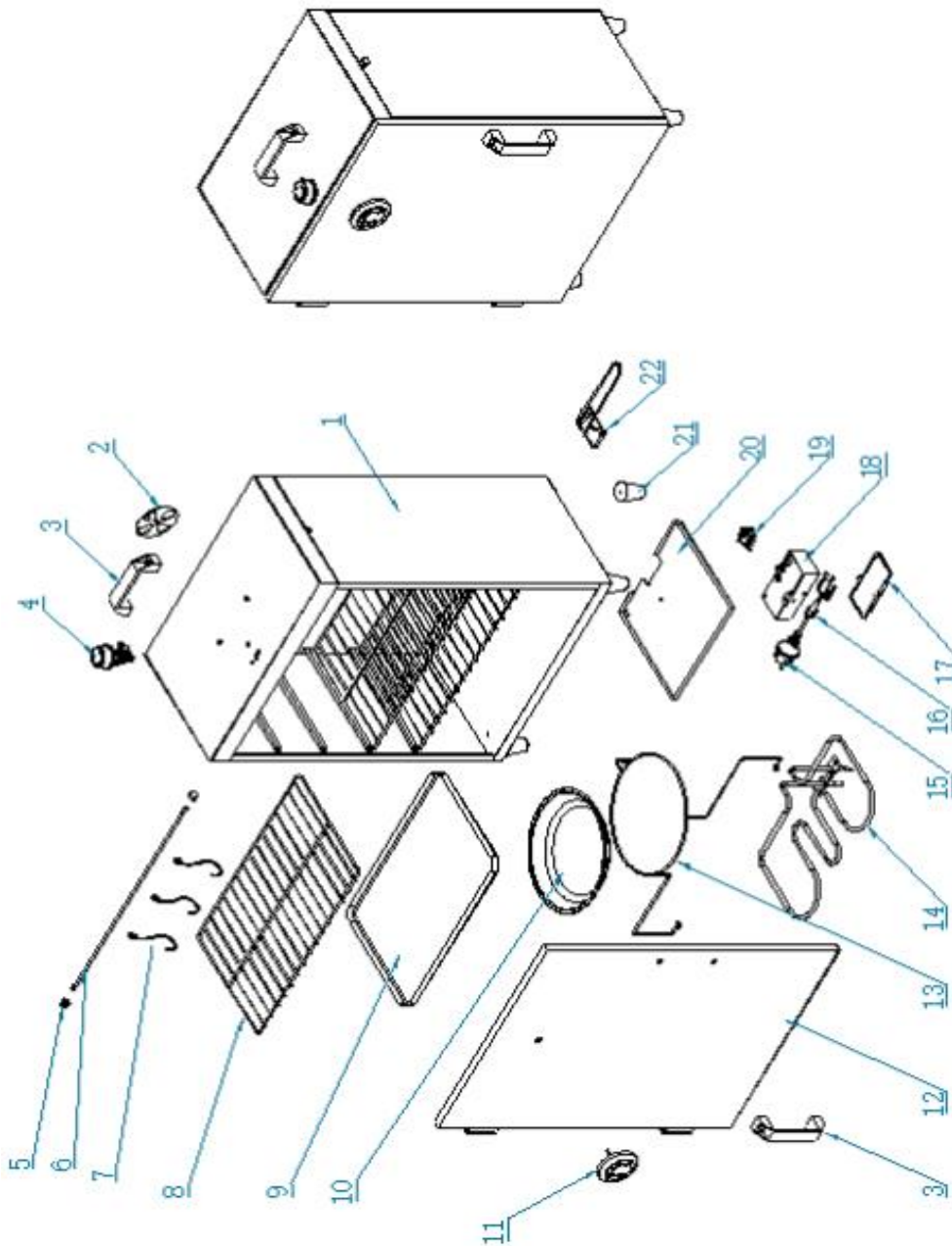
Date 09-04-2019

Revision #


1,0

Revision

First Bill of Materials (BOM)



### Bill of materials (BOM)

 <b style="font-size: 2em; margin-left: 10px;">HENDI</b> <span style="color: green; font-size: 0.8em; margin-left: 10px;">Tools for Chefs</span> <b>Hendi B.V.</b> Steenoven 21 3911 TX Rhenen The Netherlands	<b>Batch #</b>	<b>Appliance part#</b>
	HK022818 and up	<b>238486</b>
	<b>Description</b>	
<b>Smoke oven electric</b>		


<b>Date</b>	09-04-2019	<b>Revision #</b>	1,0
<b>Revision</b>	First Bill of Materials (BOM)		

Item	Description	Part#	Quantity	Remark	Picture
1	Housing	n/a	1		
2	Ventilation cover	n/a	1		
3	Handle (nylon)	948019	2		
4	Thermostat	948026	1		
5	Cap nut M8	n/a	2		
6	Rod	n/a	1		
7	Hook	948033	3		
8	Grid	948040	3		
9	Tray	948057	1		
10	Pan (for wood chips)	948064	1		
11	Thermometer	948071	1		
12	Door assembly	n/a	1		
13	Holder for pan	n/a	1		
14	Element 230V 1600W	948088	1		
15	Power cord	205303	1		
16	Cord inlet retention	n/a	1		
17	Cover	n/a	1		
18	Electrial insulation box	n/a	1		
19	Switch	948095	1		
20	Heat shield	n/a	1		
21	Foot	n/a	4		
22	Holder grid	948101	1		

n/a -> not available

nss -> not sold separately

### Circuit diagram

 <b>HENDI</b> Tools for Chefs Hendi B.V. Steenoven 21 3911 TX Rhenen The Netherlands	<b>Batch #</b>	<b>Appliance part#</b>
	HK022818 and up	238486
	<b>Description</b>	
	Smoke oven electric	

<b>Date</b>	09-04-2019	<b>Revision #</b>	1,0
<b>Revision</b>	First Bill of Materials (BOM)		

