
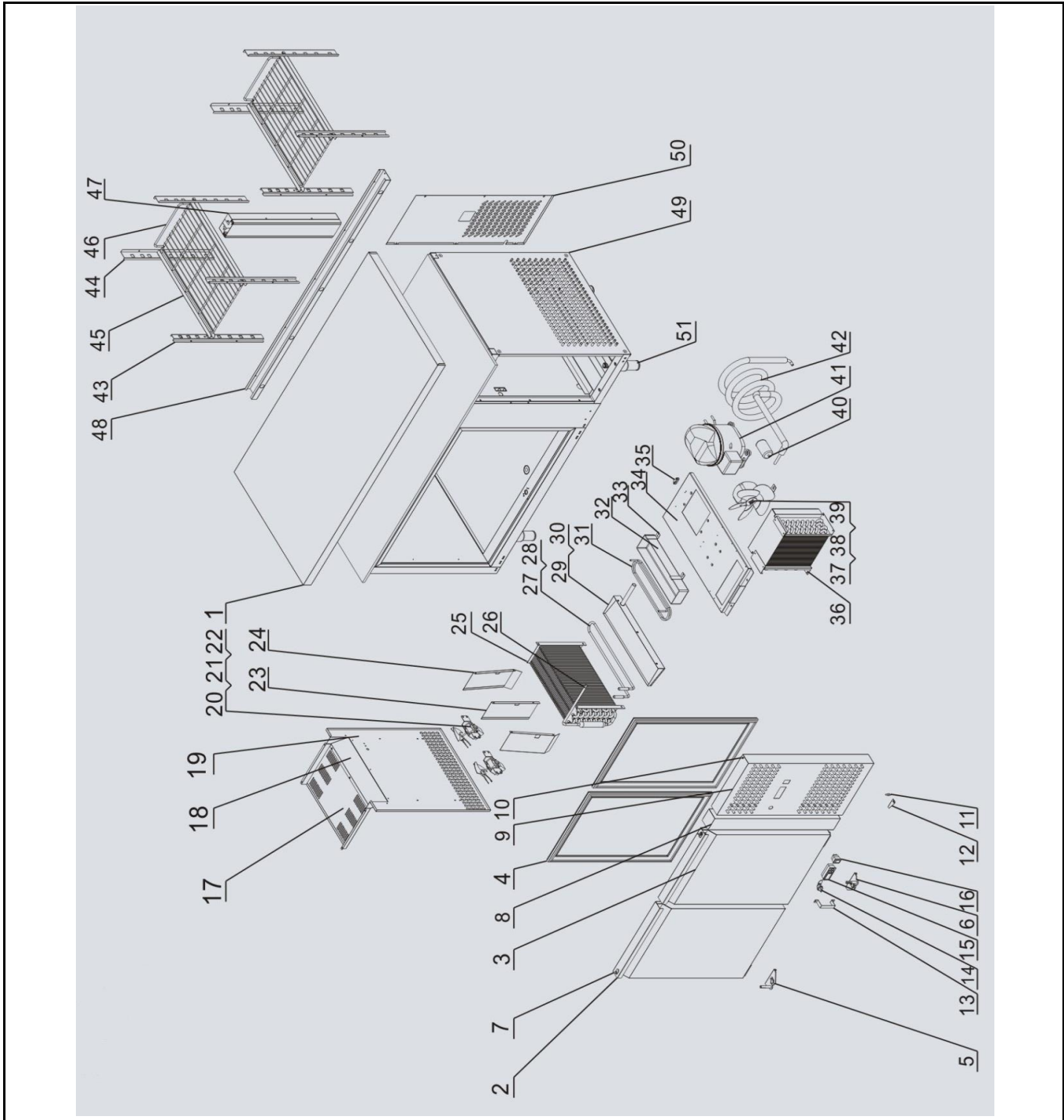



Drawing

 HENDI FOOD SERVICE EQUIPMENT	Batch #	Appliance part#
	660566 and up	232064
	Description	
	Freezer counter with two door Profi Line	

Date	27-09-2016	Revision #	Revision version
Revision	First bill of materials (BOM)		



Bill of materials (BOM)

 <p>HENDI FOOD SERVICE EQUIPMENT</p> <p>Hendi B.V. Steenoven 21 3911 TX Rhenen The Netherlands</p>	Batch #	Appliance part#
	660566 and up	232064
	Description	
Freezer counter with two door Profi Line		


Date	27-09-2016	Revision #	Revision version
Revision	First bill of materials (BOM)		

Item	Description	Part#	Quantity	Remark	Picture
1	Top cover	n/a	1		
2	Left door	n/a	1		
3	Right door	n/a	1		
4	Door gasket	941065	2		
5	Bottom hinge (left)	n/a	1		
6	Bottom hinge (right)	n/a	1		
7	Upper axis	n/a	2		
8	Panel	n/a	1		
9	Front cover	n/a	1		
10	Upper axis	n/a	1		
11	Bottom hinge axis	n/a	1		
12	Bottom hinge	n/a	1		
13	Lock bracket	n/a	1		
14	Lock	n/a	1		
15	Digital controller	931530	1		
16	Switch	205426	1		
17	Air duct board (2)	n/a	1		
18	Air duct board (1)	n/a	1		
19	Cover evaporator	n/a	1		
20	Fan blade	n/a	2		
21	Fan 14W	941089	2		
22	Fan bracket	n/a	2		
23	Air duct (middle)	n/a	1		
24	Air duct (left/right)	n/a	2		
25	Evaporator	941539	1		
26	Pipe	n/a	1		
27	Heating tube	n/a	1		
29	Drip tray	n/a	1		
31	Condenser pipe	n/a	1		
32	Drip tray condenser	n/a	1		
33	Drip tray bracket	n/a	1		
34	Mounting bracket	n/a	1		
35	Clip	n/a	1		
36	Condenser	941546	1		
37	Fan blade	n/a	1		
38	Fan 14W	941089	1		
39	Fan bracket	n/a	1		
40	Drier filter	n/a	1		
41	Compressor (FFI 12HBK)	941553	1		
42	Pipe	n/a	1		
43	Front holder	n/a	4		
44	Rear holder	n/a	4		
45	Shelf holder set of 2 pcs (55cm)	941041	4		
46	Shelf	941058	2		
47	Middle cover	n/a	1		
48	Bracket	n/a	1		
49	Cover right	n/a	1		
50	Cover back	n/a	1		
51	Leg		4		

n/a -> not available

nss -> not sold separately

Circuit diagram

 <b style="font-size: 2em; color: red; margin-left: 10px;">HENDI <small style="color: red; margin-left: 10px;">FOOD SERVICE EQUIPMENT</small> Hendi B.V. Steenoven 21 3911 TX Rhenen The Netherlands	Batch #	Appliance part#
	660566 and up	232064
	Description	
	Freezer counter with two door Profi Line	

Date	27-09-2016	Revision #	Revision version
Revision	First bill of materials (BOM)		

