

Drawing



Hendi B.V.
 Steenoven 21
 3911 TX Rhenen
 The Netherlands

Batch #

0000000

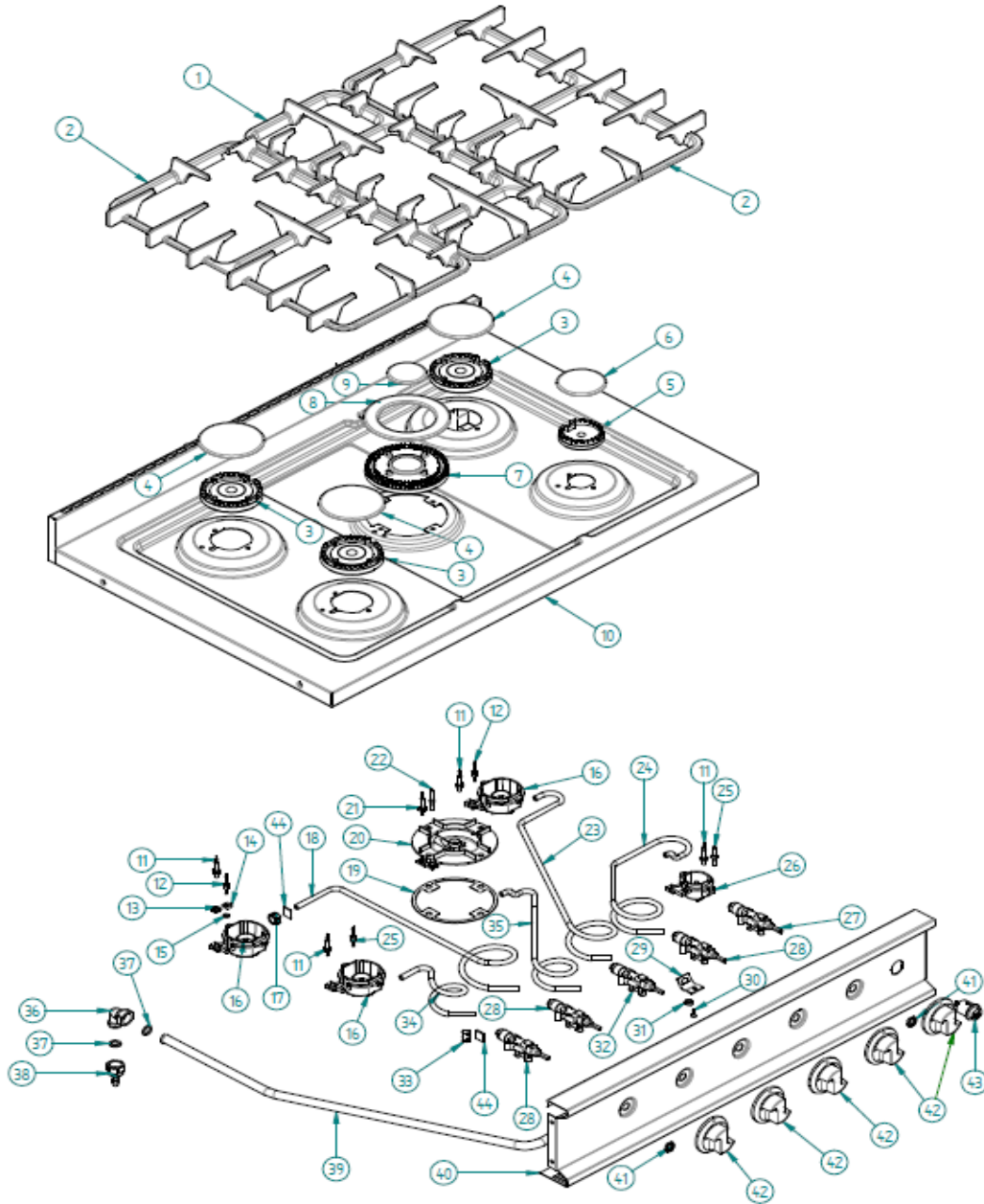
Appliance part#

225806


Description

Gas cooker 5 burner open stand

Date	15-02-2016	Revision #	Revision version
Revision	First bill of materials (BOM)		



Bill of materials (BOM)

 Hendi B.V. Steenoven 21 3911 TX Rhenen The Netherlands	Batch #	Appliance part#
	0000000	225806
	Description	
Gas cooker 5 burner open stand		


Date	15-02-2016	Revision #	Revision version
Revision	First bill of materials (BOM)		

Item	Description	Part#	Quantity	Remark	Picture
1	Pan support center	910115	1		
2	Pan support (left/right)	910108	2		
3	Flame spreader (3kW)	910566	3		
4	Buner cap (3kW)	910528	3		
5	Flame spreader (1,8kW)	910573	1		
6	Buner cap (1,8kW)	910535	1		
7	Flame spreader (3,5kW)	915233	1		
8	Burner cap outer (3,5kW)	910542	1		
9	Buner cap inner (3,5kW)	910559	1		
10	Top cover	n/a	1		
11	Spark plug (set)	915318	4	Incl gasket and clip	
12	Thermocouple	225752	3		
13	Clip	n/a	5		
14	Gasket	n/a	5		
15	Nut	n/a	5		
16	Burner cup (3kW)	n/a	3		
17	Nut	n/a	5		
18	Gas pipe	n/a	1		
19	Gasket	n/a	1		
20	Burner cup (3,5kW)	n/a	1		
21	Thermocouple	936467	1		
22	Spark plug set	915363	1	Incl gasket and clip	
23	Gas pipe	n/a	1		
24	Gas pipe	n/a	1		
25	Thermocouple	225752	1		
26	Burner cup (1,8kW)	n/a	1		
27	Gas valve	936481	1	(1,8kW burner)	
28	Gas valve	910092	3	(3kW burner)	
29	Clip	n/a	5		
30	Washer	n/a	5		
31	Bolt	n/a	5		
32	Gas valve	936474	1	(3,5kW burner)	
33	Nut	n/a	5		
34	Gas pipe	n/a	1		
35	Gas pipe	n/a	1		
36	Gas hose fitting	915394	1		
37	Gasket	n/a	1		
38	Tule	n/a	1		
39	Gas pipe	n/a	1		
40	Display panel	n/a	1		
41	Nut	n/a	5		
42	Knob	915226	5		
43	Switch (spark module)	915370	1		
*	Complete set jets propane	931899	1	(Jet sizes 1x 0.65 3x 0.86 1x 0.95)	
*	Complete set jets natural gas	931905	1	(Jet sizes 1x 0.97 3x 1.15 1x 1.35)	

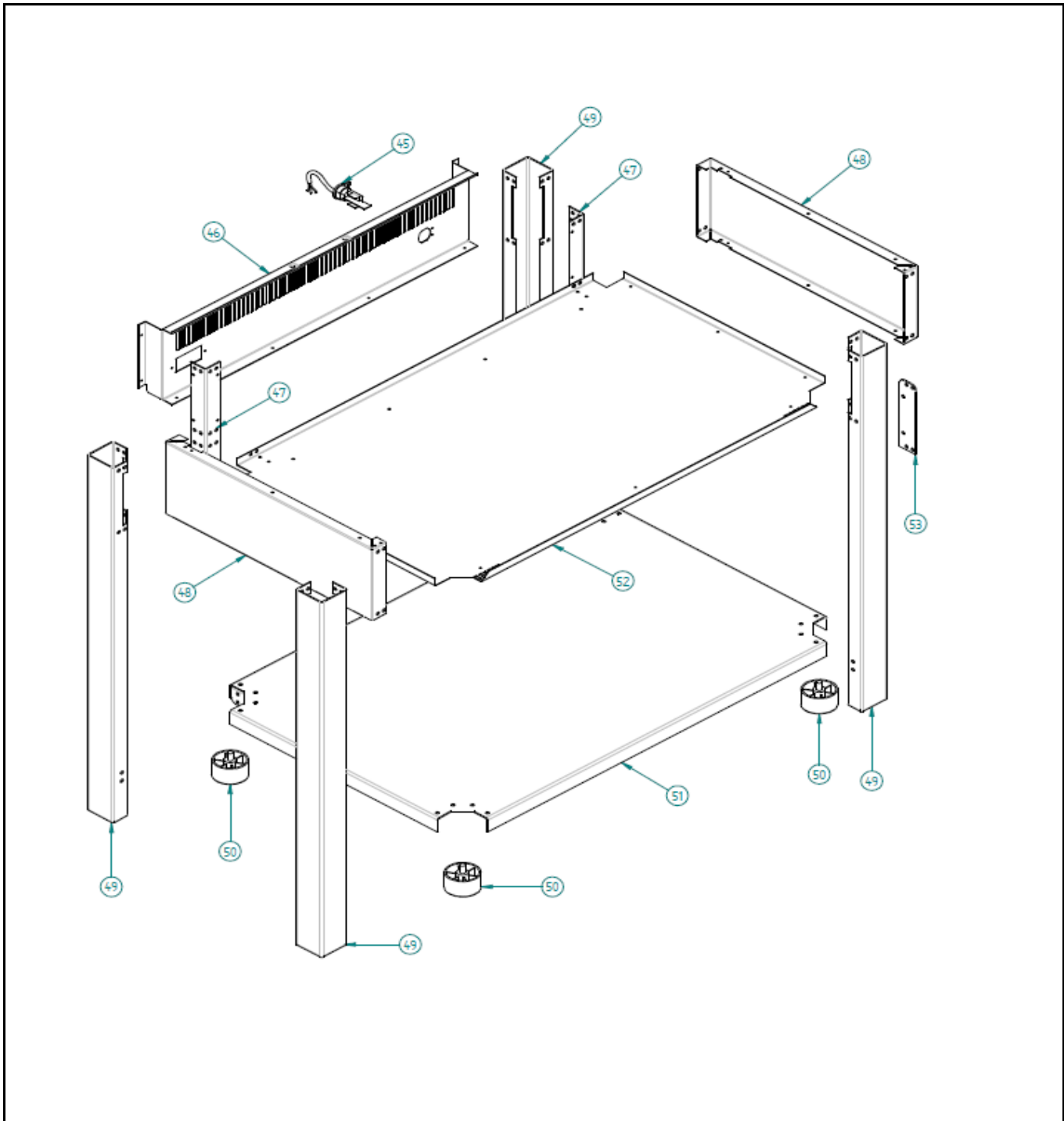
n/a -> not available

nss -> not sold separately


Drawing

 HENDI FOOD SERVICE EQUIPMENT Hendi B.V. Steenoven 21 3911 TX Rhenen The Netherlands	Batch #	Appliance part#
	0000000	225806
	Description	
	Gas cooker 5 burner open stand	

Date	15-02-2016	Revision #	Revision version
Revision	First bill of materials (BOM)		



Bill of materials (BOM)

 Hendi B.V. Steenoven 21 3911 TX Rhenen The Netherlands	Batch #	Appliance part#
	0000000	225806
	Description	
		Gas cooker 5 burner open stand

Date	15-02-2016	Revision #	Revision version
Revision	First bill of materials (BOM)		

Item	Description	Part#	Quantity	Remark	Picture
45	Pull relief	923337	1		
45a	Powercord H07RN-F 3G1,5mm 3Meter	935521	1		
46	Back cover	n/a	1		
47	Bracket	n/a	4		
48	Side cover	n/a	2		
49	Leg	n/a	4		
50	Feet	225370	4		
51	Lower shelf	n/a	1		
52	Bottom cover	n/a	1		
53	Bracket	n/a	2		

n/a -> not available

nss -> not sold separately