
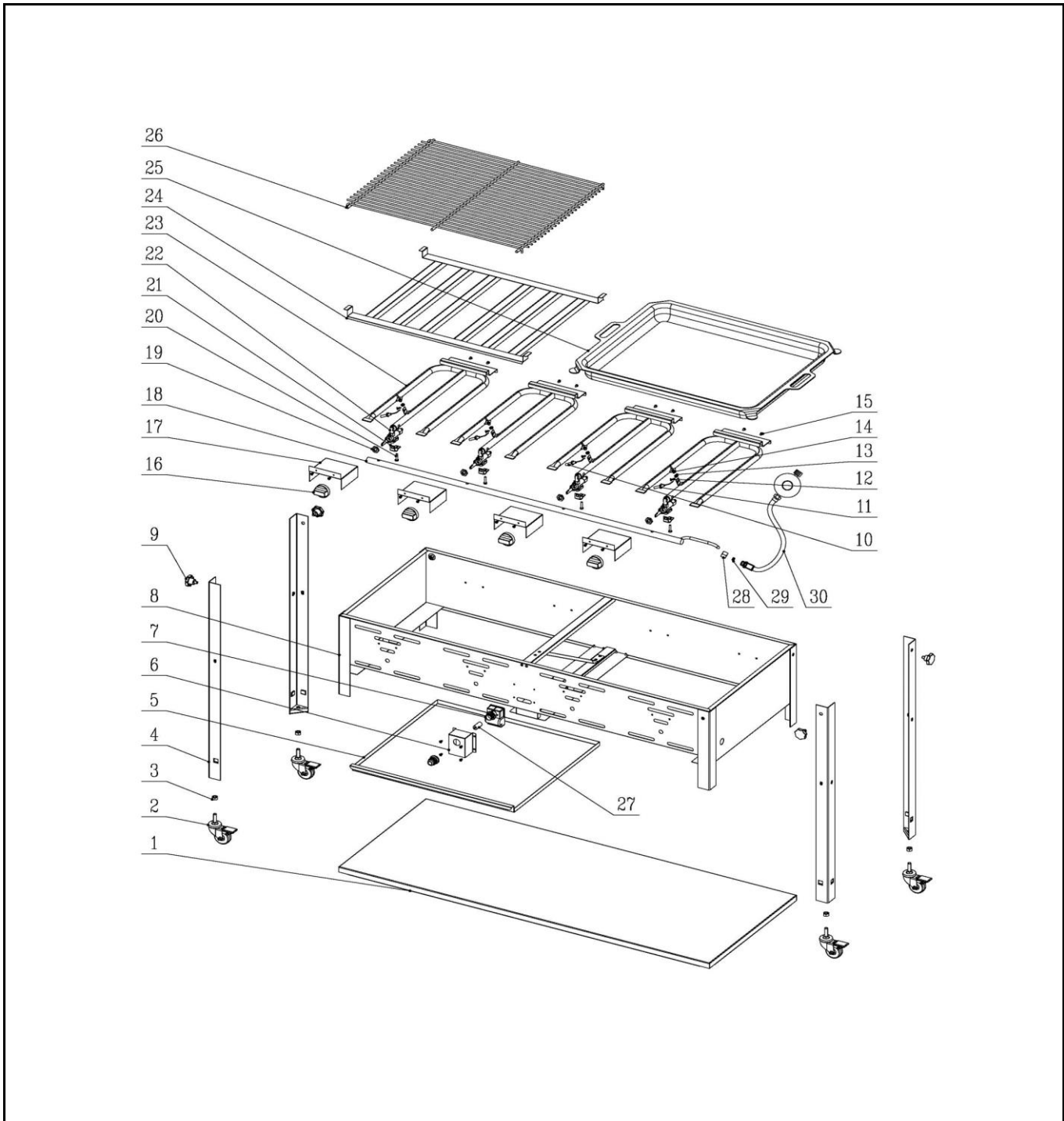



Drawing

 HENDI FOOD SERVICE EQUIPMENT Hendi B.V. Steenoven 21 3911 TX Rhenen The Netherlands	Batch #	Appliance part#
	0000000	154908
	Description	
	Grill Master "Quattro"	

Date	01-07-2016	Revision #	Revision version
Revision	First bill of materials (BOM)		



Bill of materials (BOM)

 Hendi B.V. Steenoven 21 3911 TX Rhenen The Netherlands	Batch #	Appliance part#
	0000000	154908
	Description	
Grill Master "Quattro"		

Date	01-07-2016	Revision #	Revision version
Revision	First bill of materials (BOM)		

Item	Description	Part#	Quantity	Remark	Picture
1	Shelf	928349	1		
2	Wheel	928233	4	Incl item 3	
3	Nut	nss	4	Available as 928233	
4	Leg	928226	4		
5	Drip tray	154755	2	Note* Not applicable in combination with baking tray	
6	Bracket (igniter)	n/a	1		
7	Igniter	928240	1		
8	Frame	n/a	1		
9	Knob	154588	4		
10	Electrode with short wiring	928325	2		
11	Electrode with long wiring	928318	2		
12	Sheet metal screw	n/a	4		
13	Nut M8x1	nss	8	Available as 152195	
14	Thermo couple	152195	4	Incl item 13	
15	Sheet metal screw	n/a	34		
16	Knob	154595	4		
17	Heat shield	n/a	4		
18	Intake pipe	928332	1		
19	Nut M12x1	nss	4	Available as 154724	
20	Screw	nss	4	Available as 154571	
21	Bracket gas valve	154571	4	Incl item 20	
22	Gas valve	154724	4	Incl item 19	
23	Gas burner	154731	4		
24	Flame diffuser	154649	2		
25	Baking tray	154656	1		
26	Grid	154632	2		
27	Battery (AA Penlite)	n/a	1	Obtain locally	
28	Nut gas hose	nss	1	Available as 145753	
29	Cutting ring gas hose	nss	1	Available as 145753	
30	Gas hose assembly	145753	1	Incl item 28;29	
*	Gas regulator 50mBar	152157	1		
*	Gas regulator 37mBar	152188	1		
*	Rubber seal gas regulator	145678	1	Not shown on exploded view	
*	Seal gas valve	154564	1	Not shown on exploded view	
*	Magnet valve (gas valve)	272190	1	Not shown on exploded view	

n/a -> not available

nss -> not sold separately