

Drawing



HENDI

Tools for Chefs

Hendi B.V.

Steenoven 21
3911 TX Rhenen
The Netherlands

Batch #

402167 and up

Appliance part#

975275

Description

Vacuum chamber packaging machine

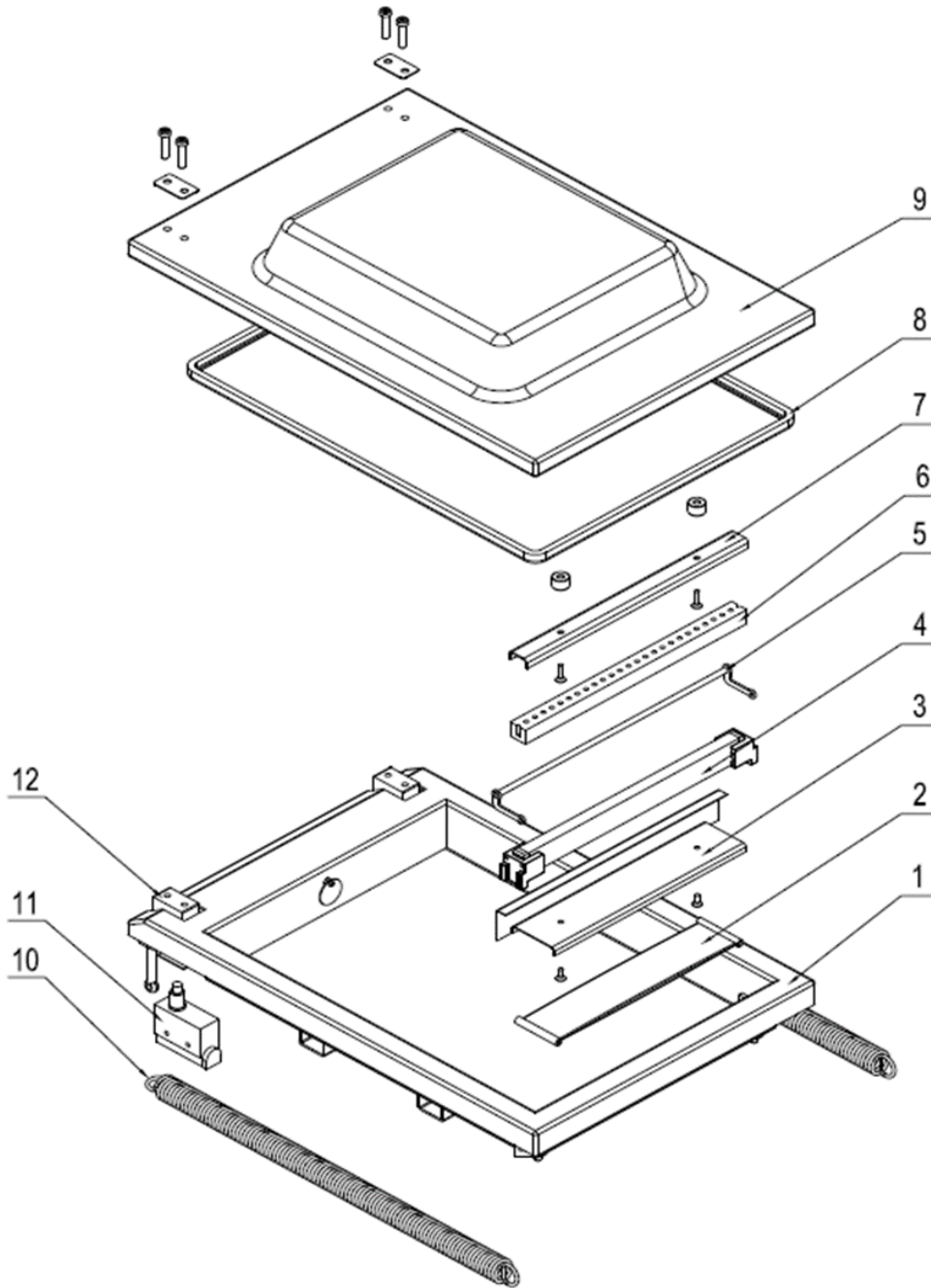
Date 16-05-2022

Revision #


1.1

Revision

First Bill of Materials (BOM)
Updated format.



Bill of materials (BOM)

 <b style="font-size: 24px; margin-left: 10px;">HENDI Tools for Chefs Hendi B.V. Steenoven 21 3911 TX Rhenen The Netherlands	Batch #	Appliance part#
	402167 and up	975275
	Description	
Vacuum chamber packaging machine		

Date	16-05-2022	Revision #	1.1
Revision	First Bill of Materials (BOM) Updated format.		

Item	Description	Part#	Quantity	Remark	Picture
1	Vacuum chamber	n/a	1		
2	Diaphragm	975077	1		
3	Bracket	n/a	1		
4	Sealing bar (complete)	943762	1	Sealing size 350x8mm, incl item 4a,4b	
4a	Sealing wire (sold p/m)	936818	1	Also available in service kit 939475	
4b	Teflon tape (sold p/m)	936801	1	Also available in service kit 939475	
5	Bag holder	n/a	1		
6	Silicone gasket	939444	1		
7	Holder silicone gasket	n/a	1		
8	Lid gasket (sold p/m)	936962	1	Also available in service kit 939475	
9	Lid	939451	1		
10	Spring	n/a	2		
11	Switch	962244	1		
*	Service kit	939475	1	* note not shown on exploded view	

n/a -> not available

nss -> not sold separately

Drawing



Tools for Chefs

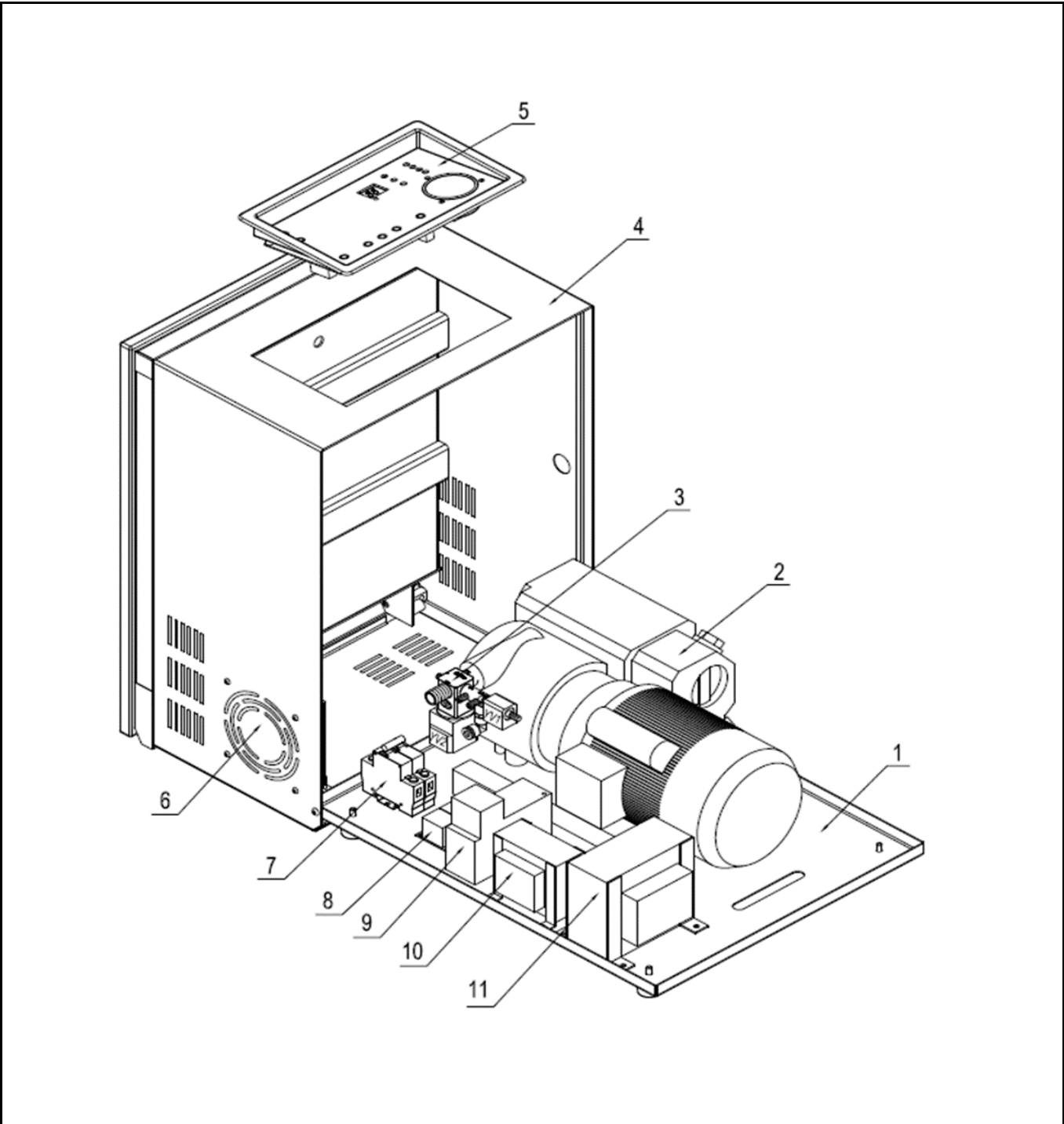
Hendi B.V.
Steenoven 21
3911 TX Rhenen
The Netherlands

Batch #
402167 and up


Appliance part#
975275

Description
Vacuum chamber packaging machine

Date	16-05-2022	Revision #	1.1
Revision	First Bill of Materials (BOM) Updated format.		



Bill of materials (BOM)

 <b style="font-size: 24px; margin-left: 10px;">HENDI <small style="color: green; margin-left: 10px;">Tools for Chefs</small> Hendi B.V. Steenoven 21 3911 TX Rhenen The Netherlands	Batch #	Appliance part#
	402167 and up	975275
	Description	
Vacuum chamber packaging machine		


Date	16-05-2022	Revision #	1.1
Revision	First Bill of Materials (BOM) Updated format.		

Item	Description	Part#	Quantity	Remark	Picture
1	Bottom cover	n/a	1		
2	Vacuum pump 20m³/h	939468	1		
3a	Seal valve	939420	1		
3b	Decompression valve	939413	1		
4	Housing	n/a	1		
5	Display pcb	936948	1		
6	Fan	n/a	1		
7	Earth leakage protection	n/a	1		
8	Relay pcb	939406	1		
9	Relay	936894	1		
10	Transformer (primary)	939383	1		
11	Transformer (sealing)	939390	1		
*	Oil exhaust filter	939437	1	*Note. Not shown on exploded view	

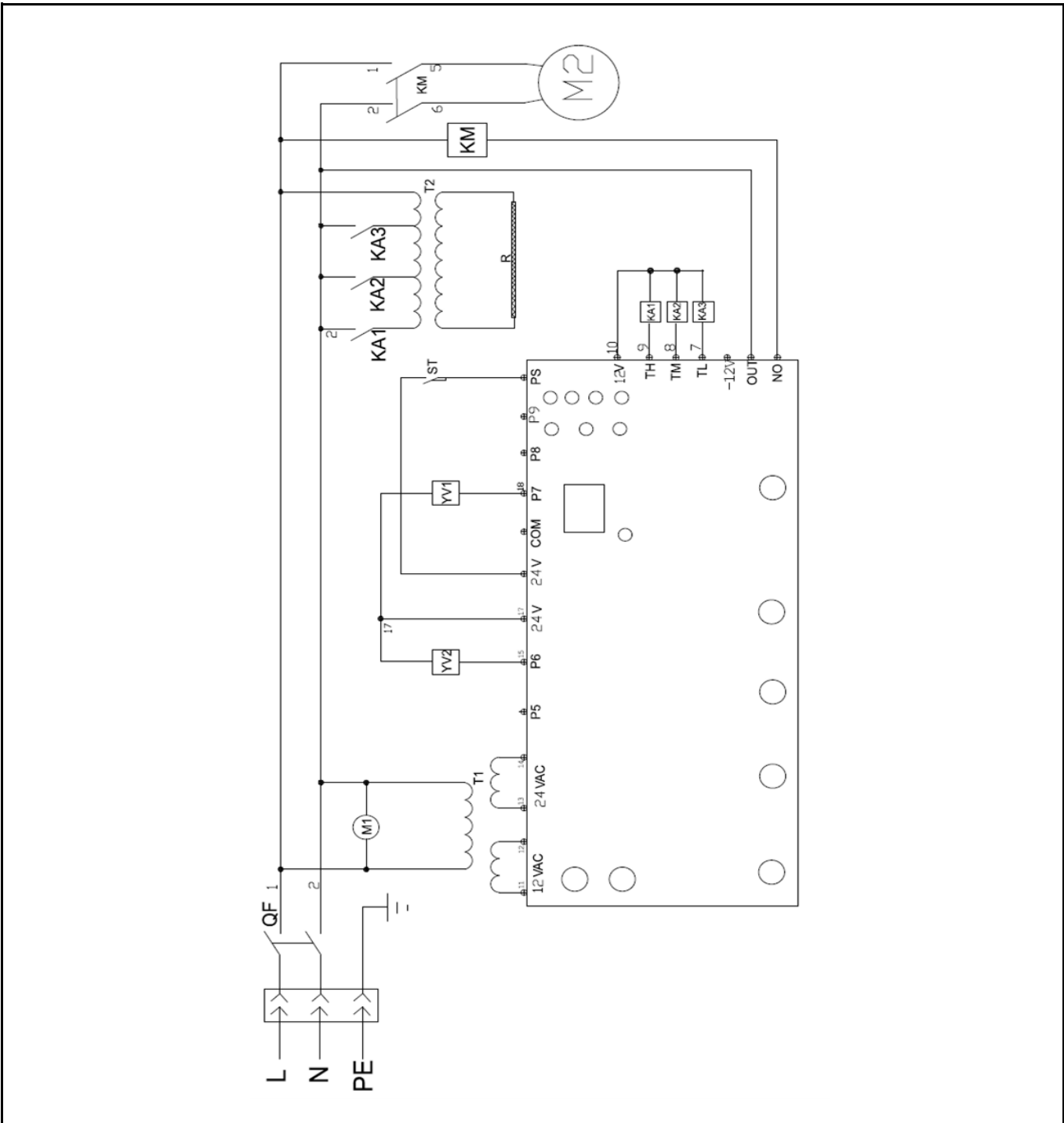
n/a -> not available

nss -> not sold separately


Circuit diagram

 <b style="font-size: 2em; margin-left: 10px;">HENDI Tools for Chefs Hendi B.V. Steenoven 21 3911 TX Rhenen The Netherlands	Batch #	Appliance part#
	402167 and up	975275
	Description	
	Vacuum chamber packaging machine	

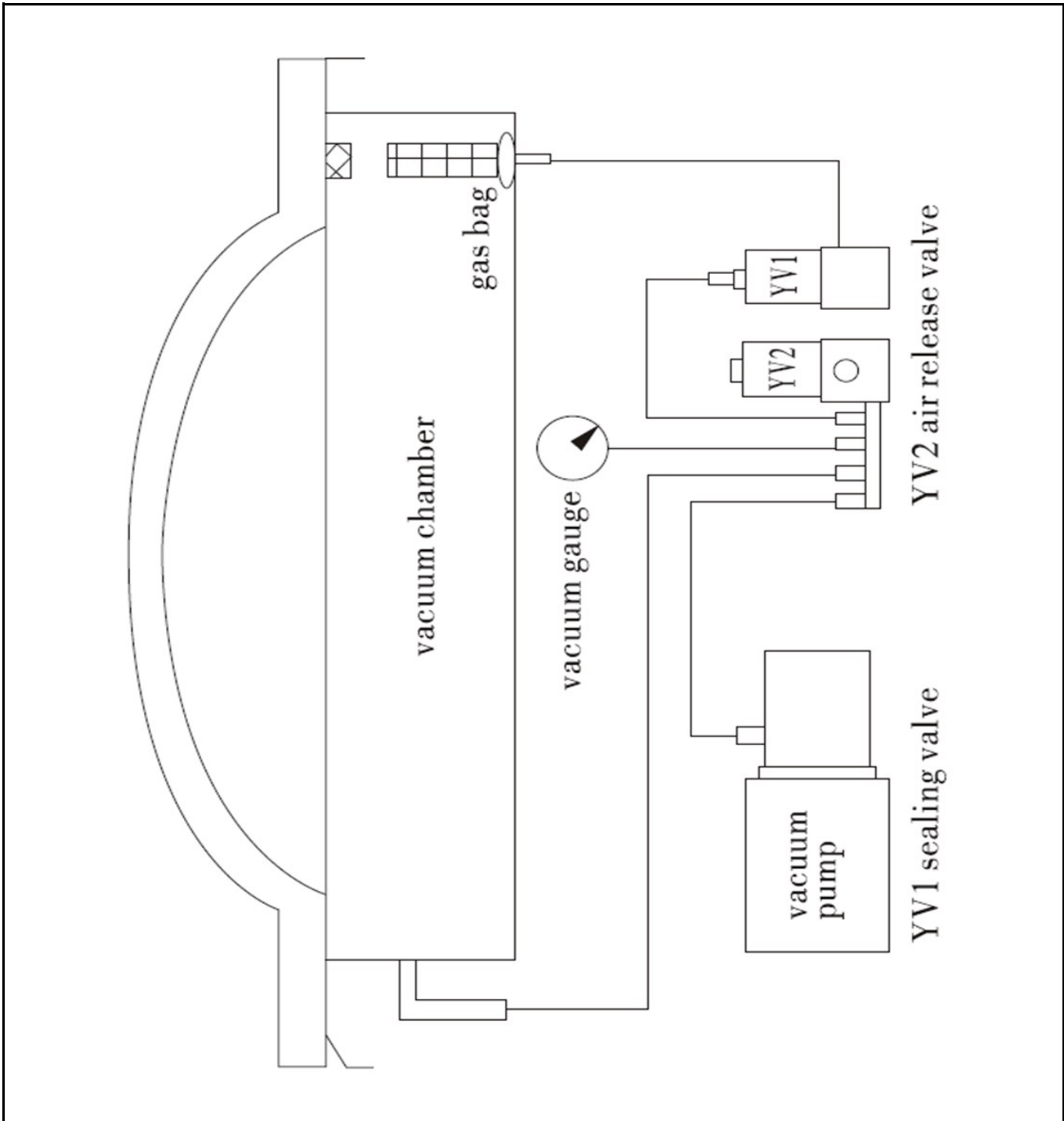
Date	16-05-2022	Revision #	1.1
Revision	First Bill of Materials (BOM) Updated format.		




Gas circuit diagram

 <b style="font-size: 2em; margin-left: 10px;">HENDI Tools for Chefs Hendi B.V. Steenoven 21 3911 TX Rhenen The Netherlands	Batch #	Appliance part#
	402167 and up	975275
	Description	
	Vacuum chamber packaging machine	

Date	16-05-2022	Revision #	1.1
Revision	First Bill of Materials (BOM) Updated format.		



Service kit

 <b style="font-size: 2em; margin-left: 10px;">HENDI Tools for Chefs Hendi B.V. Steenoven 21 3911 TX Rhenen The Netherlands	Batch #	Appliance part#
	402167 and up	975275
	Description	
	Vacuum chamber packaging machine	

Date	16-05-2022	Revision #	1.1
Revision	First Bill of Materials (BOM) Updated format.		

939475 Service kit



Item	Description	Part #	Quantity
1	Bottle oil approx. 250ml	Only in this kit	1
2	Filler bottle	Only in this kit	1
3	Lid gasket	936962	1
4	Teflon tape	936801	1
5	Sealing wire	936818	1
6	Tools	Only in this kit	1
7	Letter box	Only in this kit	1

***Note. For maintenance instructions see user manual.**