

Drawing



Tools for Chefs

Hendi B.V.
Steenoven 21
3911 TX Rhenen
The Netherlands

Batch #

000000 and up

Appliance part#

970300

Description

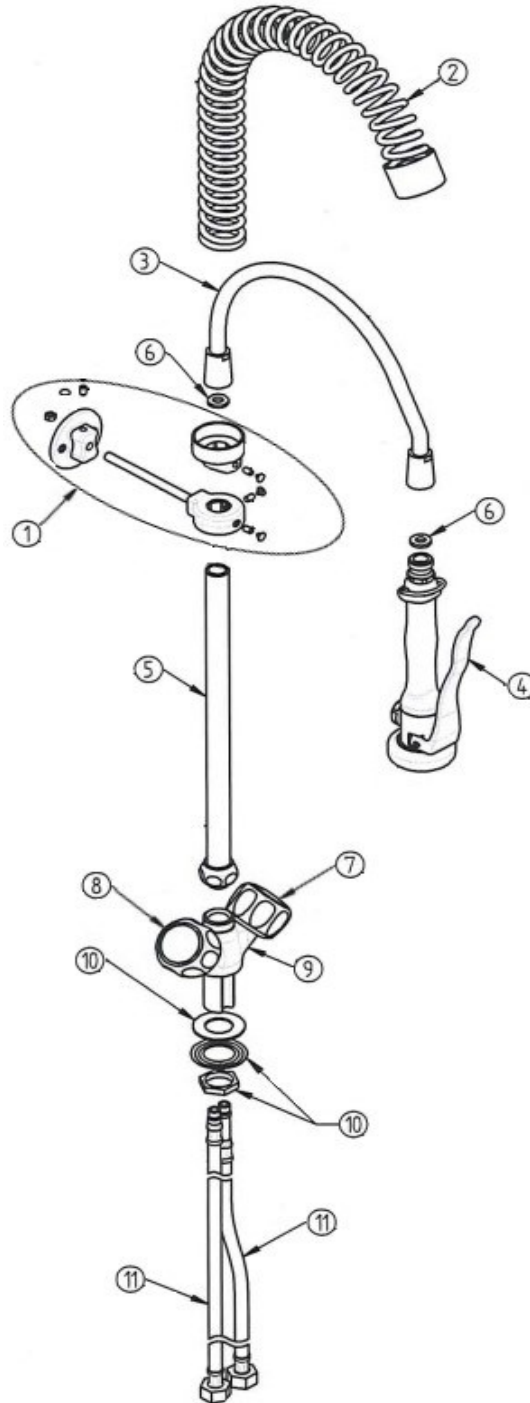
Single pedestal pre-rinser

Date 29-01-2021


Revision #

1.0

Revision First Bill of Materials (BOM)



Bill of materials (BOM)

 <b style="font-size: 24pt; margin-left: 10px;">HENDI <small style="color: green; margin-left: 10px;">Tools for Chefs</small> Hendi B.V. Steenoven 21 3911 TX Rhenen The Netherlands	Batch #	Appliance part#
	000000 and up	970300
	Description	
	Single pedestal pre-rinser	

Date	29-01-2021	Revision #	1.0
Revision	First Bill of Materials (BOM)		

Item	Description	Part#	Quantity	Remark	Picture
1	Wall holder	959718	1		
2	Spring for pre-rinse unit	n/a	1		
3	Shower hose 1/2"- 1/2" 400mm	959701	1		
4	Spray gun	959725	1		
5	Pipe	n/a	1		
6	Shower hose seal ring	n/a	2	Obtain locally	
7	Tap handle cold water	944127	1		
8	Tap handle warm water	944134	1		
9	Body	n/a	1		
10	Faucet mounting kit	959695	1		
11	Flex hose set for tap pre-rinse unit	942369	1		
*	Screw fitting low pass (BR.8x24)	944141	2	Not shown in drawing	

n/a -> not available

nss -> not sold separately