

Drawing



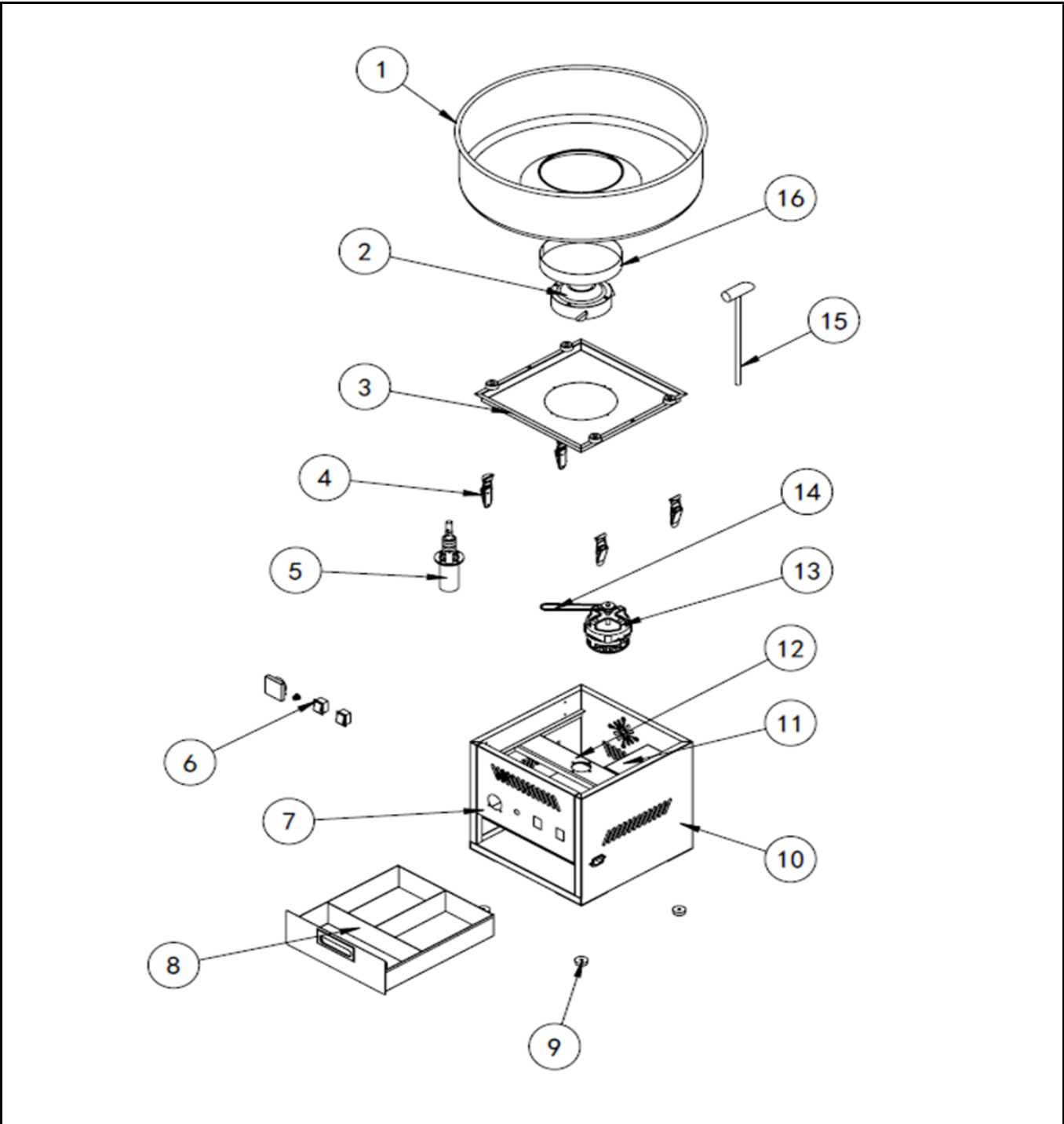
Tools for Chefs

Hendi B.V.  
Steenoven 21  
3911 TX Rhenen  
The Netherlands


Batch #	Appliance part#
000000 and up	282731

Description
Cotton candy machine

Date	29-01-2024	Revision #	1.0
Revision	First Bill of Materials (BOM)		



**Bill of materials (BOM)**

 <b>HENDI</b> Tools for Chefs Hendi B.V. Steenoven 21 3911 TX Rhenen The Netherlands	<b>Batch #</b>	<b>Appliance part#</b>
	000000 and up	<b>282731</b>
	<b>Description</b>	
Cotton candy machine		


<b>Date</b>	29-01-2024	<b>Revision #</b>	1.0
<b>Revision</b>	First Bill of Materials (BOM)		

Item	Description	Part#	Quantity	Remark	Picture
1	Cotton candy pan	929124	1		
2	Heating element	964743	1		
3	Housing cover (top)	n/a	1		
4	Cotton candy pan clamp	960561	4		
5	Axle assembly	n/a	1		
6A	Switch	960578	2		
6B	Fuse	960585	1		
6C	Voltage meter	960592	1		
7	Display sticker	n/a	1		
8	Drawer	n/a	1		
9	Feet	960608	4	Set of 4 pcs	
10	Frame	n/a	1		
11	Motor bracket	n/a	1		
12	Axle bracket	n/a	1		
13	Motor	960615	1		
14	Belt	960622	1		
15	Sugar spoon	960639	1		
16	Sugar pan	n/a	1		
*	Microswitch	n/a	1	Not shown on drawing	
*	Capacitor	n/a	1	Not shown on drawing	
*	Power cord	900680	1	Not shown on drawing	

n/a -> not available

nss -> not sold separately

# Circuit diagram

 <b>HENDI</b> Tools for Chefs Hendi B.V. Steenoven 21 3911 TX Rhenen The Netherlands	<b>Batch #</b>	<b>Appliance part#</b>
	000000 and up	<b>282731</b>
	<b>Description</b>	
	Cotton candy machine	

<b>Date</b>	29-01-2024	<b>Revision #</b>	1.0
<b>Revision</b>	First Bill of Materials (BOM)		

