

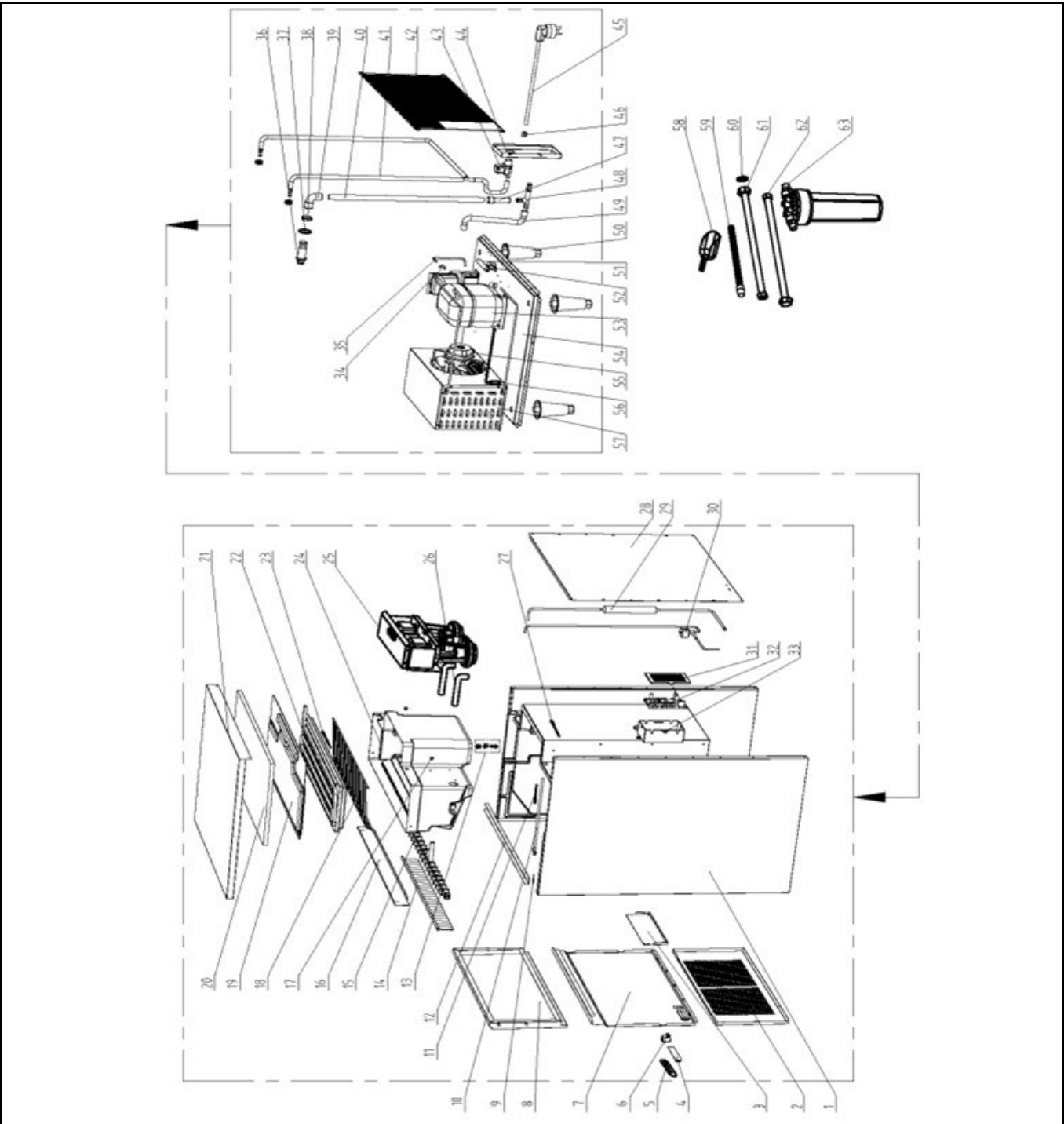
Drawing




**Hendi B.V.**  
 Innovatielaan 6  
 6745 XW De Klomp  
 The Netherlands

<b>Batch #</b>	<b>Appliance part#</b>
000000 and up	<b>271360</b>
<b>Description</b>	
Clear icecubemaker 90Kg	

<b>Date</b>	23-01-2024	<b>Revision #</b>	V.01
<b>Revision</b>	First Bill of Materials (BOM)		



**Bill of materials (BOM)**

 <b>HENDI</b> Tools for Chefs <b>Hendi B.V.</b> Innovatielaan 6 6745 XW De Klomp The Netherlands	<b>Batch #</b>	<b>Appliance part#</b>
	000000 and up	<b>271360</b>
	<b>Description</b>	
<b>Clear icecubemaker 90Kg</b>		

<b>Date</b>	23-01-2024	<b>Revision #</b>	V.01
<b>Revision</b>	First Bill of Materials (BOM)		


Item	Description	Part#	Quantity	Remark	Picture
1	Inner lining	n/a	1		
2	Ventilation panel (front)	n/a	1		
3	Bracket	n/a	1		
4	Display PCB	964460	1		
5	Display sticker	964453	1		
6	Switch	205426	1		
7	Housing panel (front)	n/a	1		
8	Door	n/a	1		
9	Bracket housing panel (top)	n/a	2		
10	Ice sensor bracket	n/a	1		
11	Ice sensor	964590	1		
12	Housing panel bracket	n/a	1		
13	Water drain assembly	n/a	1		
14	Water bracket	n/a	1		
15	Spray arm	964606	1		
15A	Spray nozzle	964613	15	Sold per piece	
15B	Spray nozzle clip	964620	15	Sold per piece	
16	Backsplash panel	n/a	1		
17	T-shaped container	n/a	1		
18	Ice grid	n/a	1		
19	Evaporator cover	n/a	1		
20	Top cover insulation	n/a	1		
21	Housing panel (top)	n/a	1		
22	Evaporator	n/a	1		
23	Evaporator sensor	964422	1		
24	Water tank	n/a	1		
25	Water pump	964637	1		
26	Water tube spray arm	n/a	2		
27	Ambient temperature sensor	964446	1		
28	Housing panel (back)	n/a	1		
29	Coolant pipe	n/a	1		
30	Solenoid valve	964664	1		
31	Main PCB cover	n/a	1		
32	Main PCB housing	n/a	1		
33	Main PCB	964651	1		
34	Coolant tube connector	n/a	1		
35	Coolant exhaust tube connector	n/a	1		
36	Overflow connector	n/a	1		
37	Overflow connector nut	n/a	1		
38	Overflow connector seal	n/a	1		
39	Water tube knee	n/a	1		
40	Water tube	n/a	1		
41	Water tube	n/a	1		
42	Ventilation grid	n/a	1		
43	Water valve (1-way)	964439	1		
44	Water valve bracket	n/a	1		
45	Power cord	n/a	1		
46	Pull relief	n/a	1		
47	Water tube	n/a	1		
48	Water drain connector	n/a	1		
49	Water tube	n/a	1		
50	Feet	964668	1	Set of 4pcs	
51	Dryer filter	n/a	1		
52	Dryer filter bracket	n/a	1		

53	Compressor	n/a	1		
54	Housing panel (bottom)	n/a	1		
55	Fan	964675	1		
56	Condenser sensor	964682	1		
57	Condenser	n/a	1		
58	Ice scoop	nss	1		
59	Water drain tube	nss	1		
60	Connector seal	nss	2		
61	Water inlet tube	nss	1		
62	Water outlet tube	nss	1		
63	Waterfilter	964484	1		
*	Installation set	964477	1	Incl. item 58, 59, 60, 61 and 62	

n/a -> not available

nss -> not sold separately

### Wiring diagram

 <b style="font-size: 24px; margin-left: 10px;">HENDI</b> <span style="color: #808000; font-size: 12px; margin-left: 20px;">Tools for Chefs</span> <b>Hendi B.V.</b> Innovatielaan 6 6745 XW De Klomp The Netherlands	<b>Batch #</b>	<b>Appliance part#</b>
	000000 and up	<b>271360</b>
	<b>Description</b>	
	<b>Clear icecubemaker 90Kg</b>	

<b>Date</b>	23-01-2024	<b>Revision #</b>	V.01
<b>Revision</b>	First Bill of Materials (BOM)		

