

Drawing



Tools for Chefs

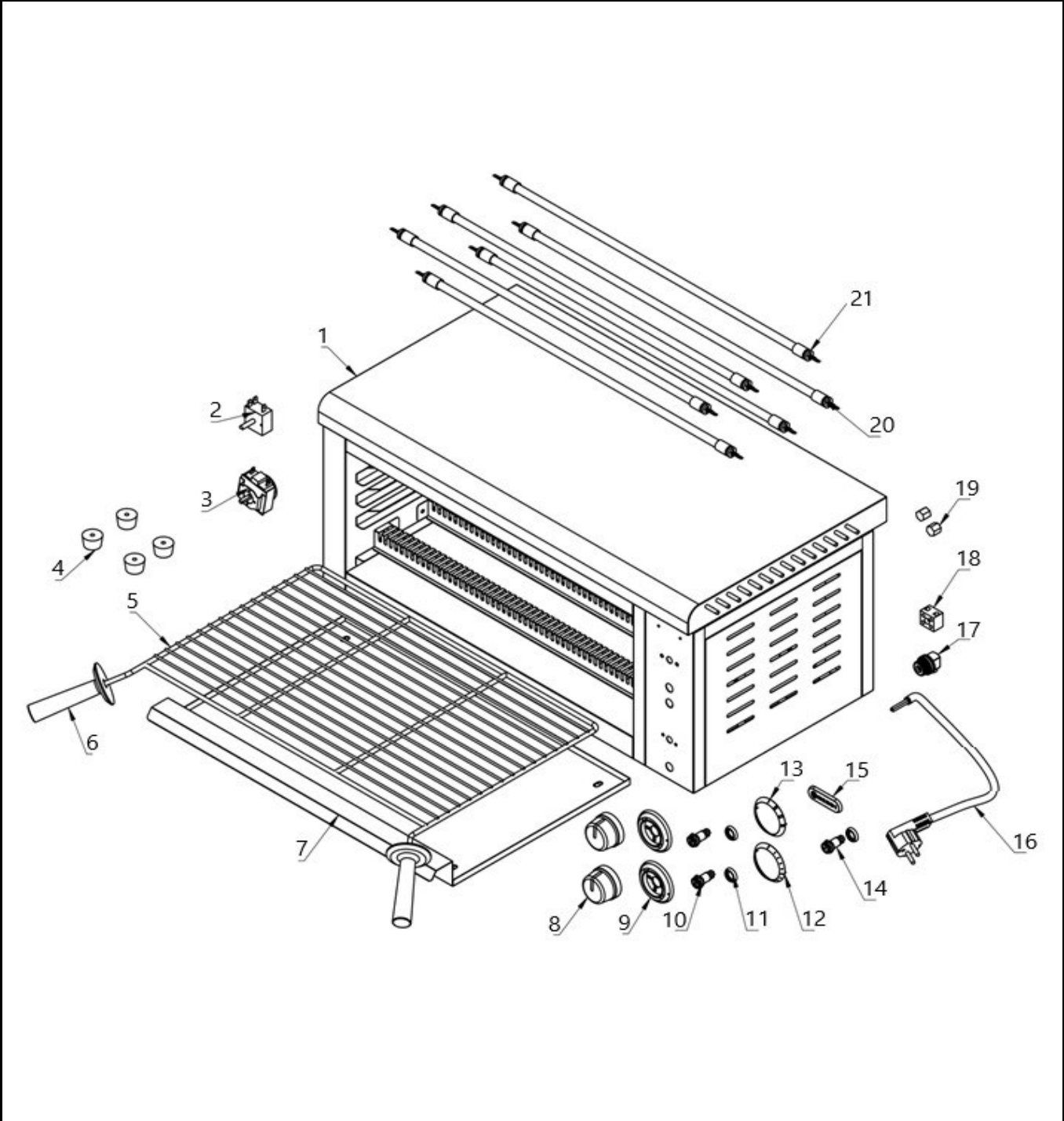
Hendi B.V.  
Steenoven 21  
3911 TX Rhenen  
The Netherlands

Batch #  
HK090819 until  
HK034521


Appliance part#  
**264409**

Description  
Salamander with quartz infrared heating  
elements

|          |   |            |     |
|----------|---|------------|-----|
| Date     | 15-03-2022  | Revision # | 1.1 |
| Revision | Heating element connector changed, new knob, better ventilation |            |     |



### Bill of materials (BOM)

|  |                            |                        |
|--|----------------------------|------------------------|
|  <b>HENDI</b><br><small>Tools for Chefs</small><br><b>Hendi B.V.</b><br>Steenoven 21<br>3911 TX Rhenen<br>The Netherlands | <b>Batch #</b>             | <b>Appliance part#</b> |
|  | HK090819 until<br>HK034521 | <b>264409</b>          |
|  | <b>Description</b>         |                        |
| <b>Salamander with quartz infrared heating elements</b>  |                            |                        |


|                 |   |                   |     |
|-----------------|---|-------------------|-----|
| <b>Date</b>     | 15-03-2022  | <b>Revision #</b> | 1.1 |
| <b>Revision</b> | Heating element connector changed, new knob, better ventilation |                   |     |

| Item | Description                       | Part#  | Quantity | Remark                     | Picture |
|------|-----------------------------------|--------|----------|----------------------------|---------|
| 1    | Housing                           | n/a    | 1        |                            |         |
| 2    | Switch                            | 948262 | 1        |                            |         |
| 3    | Timer 15 min.                     | 948279 | 1        |                            |         |
| 4    | Feet                              | 912058 | 1        | Set of 4                   |         |
| 5    | Grid                              | 948316 | 1        |                            |         |
| 6    | Handle                            | 943328 | 2        |                            |         |
| 7    | Crumb tray                        | n/a    | 1        |                            |         |
| 8    | Knob                              | nss    | 2        |                            |         |
| 9    | Base plate                        | nss    | 2        |                            |         |
| 10   | Heating indicator                 | 912003 | 2        | Incl. item 10              |         |
| 11   | Heating indicator seal            | nss    | 3        |                            |         |
| 12   | Indicator ring (timer)            | nss    | 1        |                            |         |
| 13   | Indicator ring (switch)           | nss    | 1        |                            |         |
| 14   | Power indicator                   | 205471 | 1        |                            |         |
| 15   | Hendi logo                        | n/a    | 1        |                            |         |
| 16   | Power cord                        | 912027 | 1        |                            |         |
| 17   | Pull relief                       | 912201 | 1        |                            |         |
| 18   | Terminal                          | 929940 | 1        |                            |         |
| 19   | Knob insert                       | nss    | 2        |                            |         |
| 20   | Quartz heating element (465 Watt) | 956793 | 3        |                            |         |
| 21   | Quartz heating element (750 Watt) | 957806 | 3        |                            |         |
| 22   | Timer knob assembly               | 948330 | 1        | Incl. item 8, 9, 12 and 19 |         |
| 23   | Switch knob assembly              | 948323 | 1        | Incl. item 8, 9, 13 and 19 |         |
|      |                                   |        |          |                            |         |
|      |                                   |        |          |                            |         |

n/a -> not available

nss -> not sold separately

### Circuit diagram

|  |                            |                        |
|--|----------------------------|------------------------|
|  <b style="font-size: 24px; margin-left: 10px;">HENDI</b><br><span style="color: #90EE90; font-size: 12px; margin-left: 10px;">Tools for Chefs</span><br><b>Hendi B.V.</b><br>Steenoven 21<br>3911 TX Rhenen<br>The Netherlands | <b>Batch #</b>             | <b>Appliance part#</b> |
|  | HK090819 until<br>HK034521 | <b>264409</b>          |
|  | <b>Description</b>         |                        |
| <b>Salamander with quartz infrared heating elements</b>  |                            |                        |

|                 |   |                   |     |
|-----------------|---|-------------------|-----|
| <b>Date</b>     | 15-03-2022  | <b>Revision #</b> | 1.1 |
| <b>Revision</b> | Heating element connector changed, new knob, better ventilation |                   |     |

