

Drawing



Tools for Chefs

Hendi B.V.
 Steenoven 21
 3911 TX Rhenen
 The Netherlands

Batch #

662344 until
 HK066119

Appliance part#

263709

Description

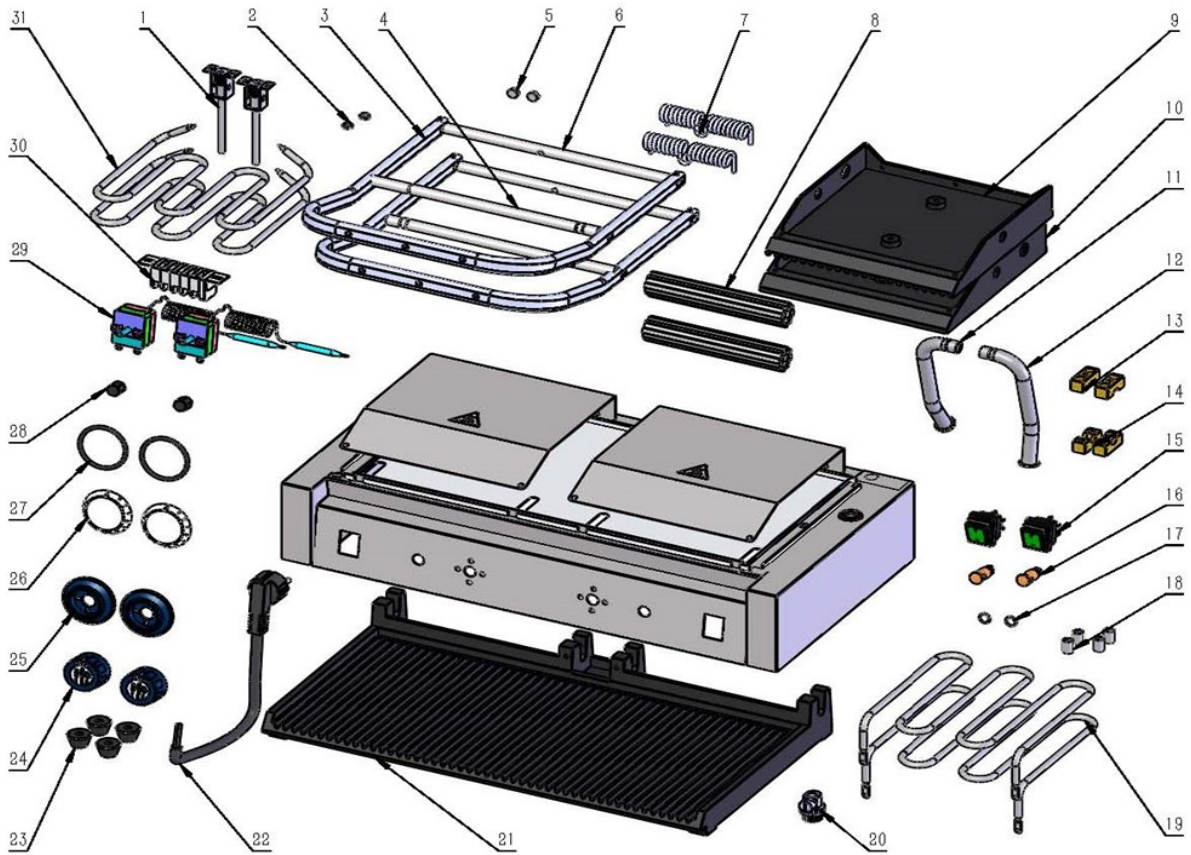
Contact grill double

Date 03-05-2021


Revision #

1.1

Revision New model (updated switch and knob)



Bill of materials (BOM)

 HENDI Tools for Chefs Hendi B.V. Steenoven 21 3911 TX Rhenen The Netherlands	Batch #	Appliance part#
	662344 until HK066119	263709
	Description	
Contact grill double		

Date	03-05-2021	Revision #	1.1
Revision	New model (updated switch and knob)		

Item	Description	Part#	Quantity	Remark	Picture
1A	Hi-limiter	902004	2		
1B	Bracket	n/a	2		
1C	Reset rod	902042	2		
2	Silicone plug	nss	2	Available as 912157	
3	Frame of handle	912157	2	Incl. item 2,5 and 8	
4	Upper axle	n/a	2		
5	Handle plug	nss	4	Available as 912157	
6	Back axle	912195	2		
7	Torsion spring	901908	2		
8	Handle	nss	2	Available as 912157	
9	Upper grill plate (left)	n/a	1		
10	Upper grill plate (right)	n/a	1		
11	Wire guide tube (left)	n/a	1		
12	Wire guide tube (right)	n/a	1		
13	Upper brake shoe	nss	2	Available as 932278	
14	Brake shoe complete set	932278	2	Incl. item 13 and 18	
15	Switch	205426	2		
16	Indicator light (orange)	912003	2	Incl. item 17	
17	O-ring	nss	2	Available as 912003	
18	Brake shoe stand-off	nss	4		
19	Bottom heating element	904510	2		
20	Cord inlet with retention	912201	1		
21	Lower grill plate	n/a	1		
22	Power cord	912027	1		
23	Feet	912058	4	Set of 4	
24	Knob thermostat	942222	2	Incl. item 25,26,27 and 28	
25	Ground plate	nss	2	Available as 942222	
26	Graduation ring	nss	2	Available as 942222	
27	O-ring	nss	2	Available as 942222	
28	Knob insert	nss	2	Available as 942222	
29	Thermostat	902011	2		
30	Terminal	942239	1		
31	Upper heating element	904503	2		

n/a -> not available

nss -> not sold separately

Circuit diagram



Hendi B.V. Tools for Chefs
 Steenoven 21
 3911 TX Rhenen
 The Netherlands

Batch #
 662344 until
 HK066119

Appliance part#
263709

Description
Contact grill double

Date	03-05-2021	Revision #	1.1
Revision	New model (updated switch and knob)		

