

Drawing



Tools for Chefs

Hendi B.V.  
Steenoven 21  
3911 TX Rhenen  
The Netherlands

Batch #

000000 until  
300975

Appliance part#

261163

Description

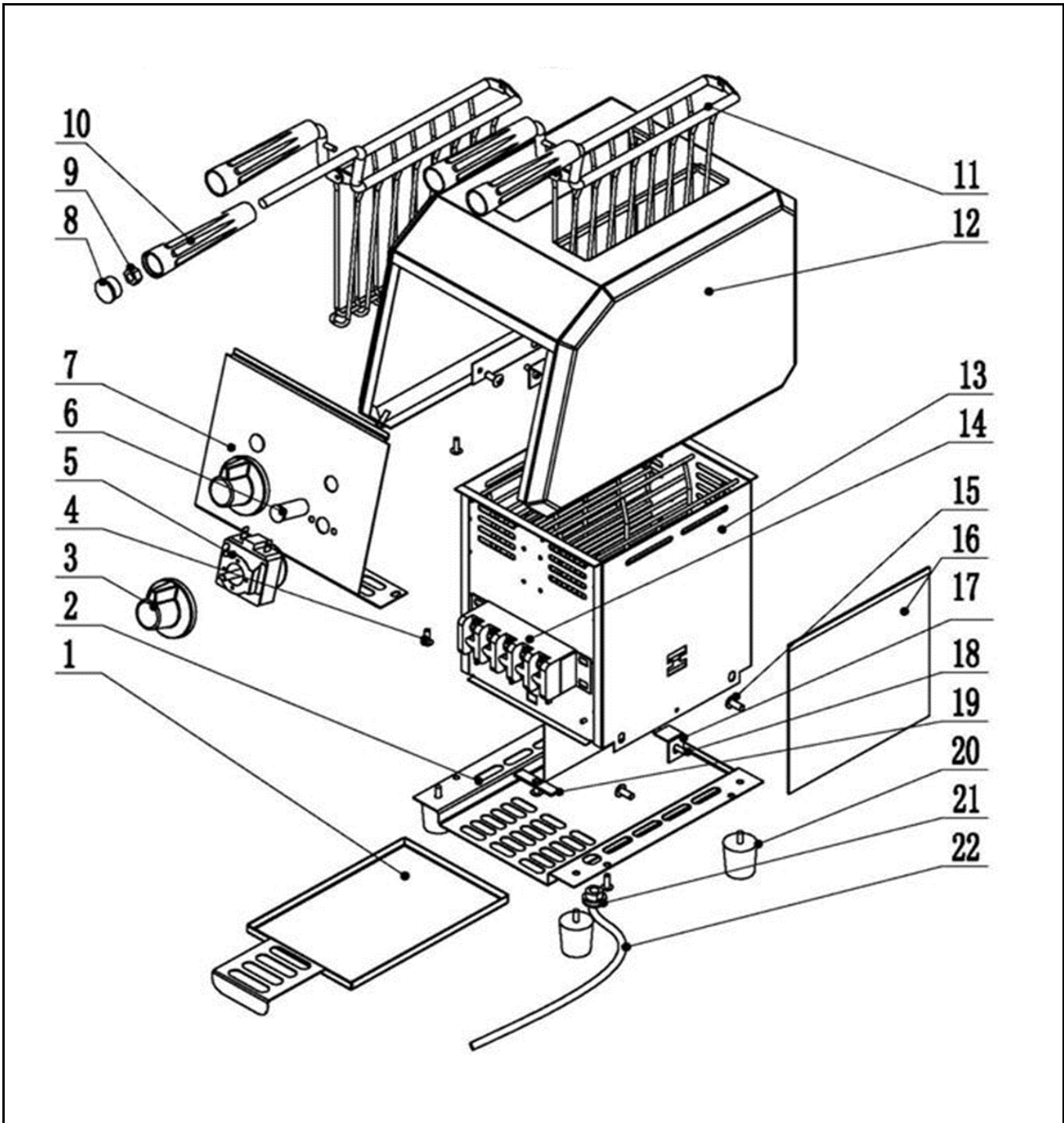
Toaster

Date 02-12-2021


Revision #

1.0

Revision First Bill of Materials (BOM)



### Bill of materials (BOM)

 <b style="font-size: 24px; margin-left: 10px;">HENDI</b> <small style="color: green; margin-left: 10px;">Tools for Chefs</small> <b>Hendi B.V.</b> Steenoven 21 3911 TX Rhenen The Netherlands	<b>Batch #</b>	<b>Appliance part#</b>
	000000 until 300975	<b>261163</b>
	<b>Description</b>	
	<b>Toaster</b>	

<b>Date</b>	02-12-2021	<b>Revision #</b>	1.0
<b>Revision</b>	First Bill of Materials (BOM)		

Item	Description	Part#	Quantity	Remark	Picture
1	Crumb tray	921517	1		
2	Bottom plate	n/a	1		
3	Knob timer	921562	2		
4	Screw	n/a	4		
5	Timer	921555	2		
6	Indicator light	921548	2		
7	Front panel	n/a	1		
8	Cap Handle	nss	4	Available as 921500 or 921579	
9	Nut	nss	4	Available as 921500 or 921579	
10	Knob handle	921579	4	Available as 921500	
11	Plier	921500	2		
12	Housing	n/a	1		
13	Inner housing	n/a	1		
14	Terminal	n/a	1		
15	Screw	n/a	6		
16	Element	921531	4	Sold per 2 pcs.	
17	Plate	n/a	4		
18	Screw	n/a	8		
19	Holder element	n/a	4		
20	Foot	921524	4		
21	Cord inlet / retention	n/a	1		
22	Power cord	930045	1		

n/a -> not available

nss -> not sold separately

Circuit diagram



**Hendi B.V.**  
 Steenoven 21  
 3911 TX Rhenen  
 The Netherlands

Tools for Chefs

Batch #

000000 until  
 300975

Appliance part#

261163

Description

Toaster

Date 02-12-2021

Revision # 1.0

Revision First Bill of Materials (BOM)

