

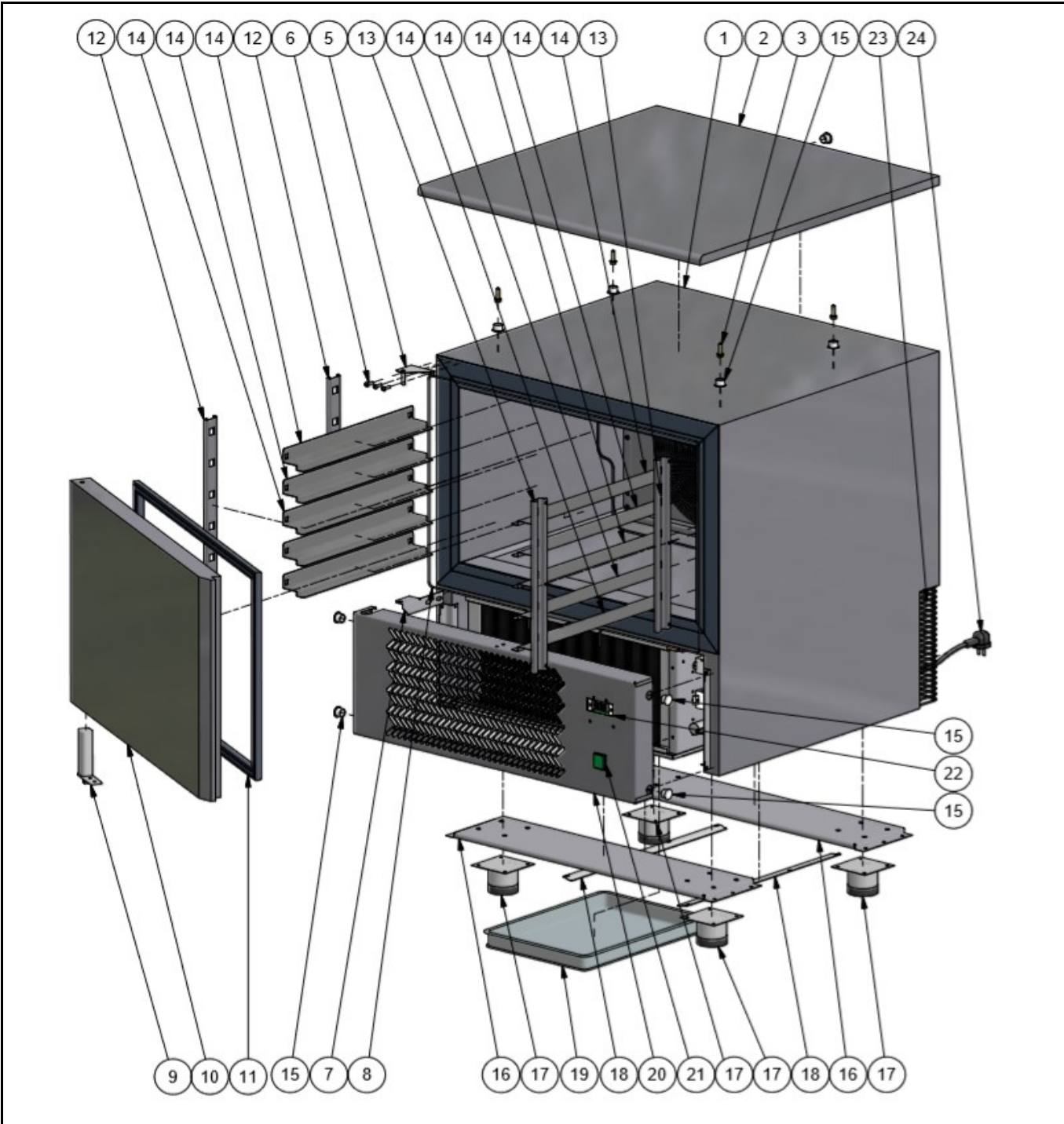
Drawing




Hendi B.V.
 Steenoven 21
 3911 TX Rhenen
 The Netherlands

| | |
|----------------------------------|------------------------|
| Batch # | Appliance part# |
| 000000 and up (unitl 12-2017) | 232187 |
| Description | |
| Blast Chiller 10 X GN 1/1 | |

| | | | |
|-----------------|-------------------------------|-------------------|-----|
| Date | 29-10-2020 | Revision # | 1.0 |
| Revision | First Bill of Materials (BOM) | | |



Bill of materials (BOM)

| | | |
|--|----------------------------------|------------------------|
|  <b style="font-size: 24pt; font-weight: bold;">HENDI <small style="color: green;">Tools for Chefs</small> Hendi B.V. Steenoven 21 3911 TX Rhenen The Netherlands | Batch # | Appliance part# |
| | 000000 and up (unitl 12-2017) | 232187 |
| | Description | |
| Blast Chiller 10 X GN 1/1 | | |

| | | | |
|-----------------|-------------------------------|-------------------|-----|
| Date | 29-10-2020 | Revision # | 1.0 |
| Revision | First Bill of Materials (BOM) | | |

| Item | Description | Part# | Quantity | Remark | Picture |
|------|------------------------------|--------|----------|----------------------|---------|
| 1 | Housing | n/a | 1 | | |
| 2 | Housing Cover | n/a | 1 | | |
| 3 | Screw for Housing Cover | n/a | 1 | | |
| 5 | Upper Hinge | n/a | 1 | | |
| 6 | Screw for Upper Hinge | n/a | 1 | | |
| 7 | Lower Hinge Holder | n/a | 1 | | |
| 8 | Magnetic Seal | n/a | 1 | | |
| 9 | Torsion Hinge | n/a | 1 | | |
| 10 | Door | n/a | 1 | | |
| 11 | Door Gasket | 948521 | 1 | | |
| 12 | Shelf Guide Holder (Left) | n/a | 2 | | |
| 13 | Shelf Guide Holder (Right) | n/a | 2 | | |
| 13A | Shelf Guide Holder Set (L+R) | n/a | 1 | | |
| 14 | Shelf Holder | 943526 | 20 | | |
| 15 | Screw cover | n/a | 9 | | |
| 16 | Bottom Plate | n/a | 2 | | |
| 17 | Foot | n/a | 4 | | |
| 18 | Collection Tray Holder | n/a | 2 | | |
| 19 | Collection Tray | n/a | 1 | | |
| 20 | Front Panel | n/a | 1 | | |
| 21 | Switch | n/a | 1 | | |
| 22 | Main PCB | 943533 | 1 | | |
| 23 | Protective Grid | n/a | 1 | | |
| 24 | Power Cord | n/a | 1 | | |
| | Display Sticker (Hendi) | 943571 | 1 | Not shown on Drawing | |
| | | | | | |
| | | | | | |

n/a -> not available

nss -> not sold separately

Drawing

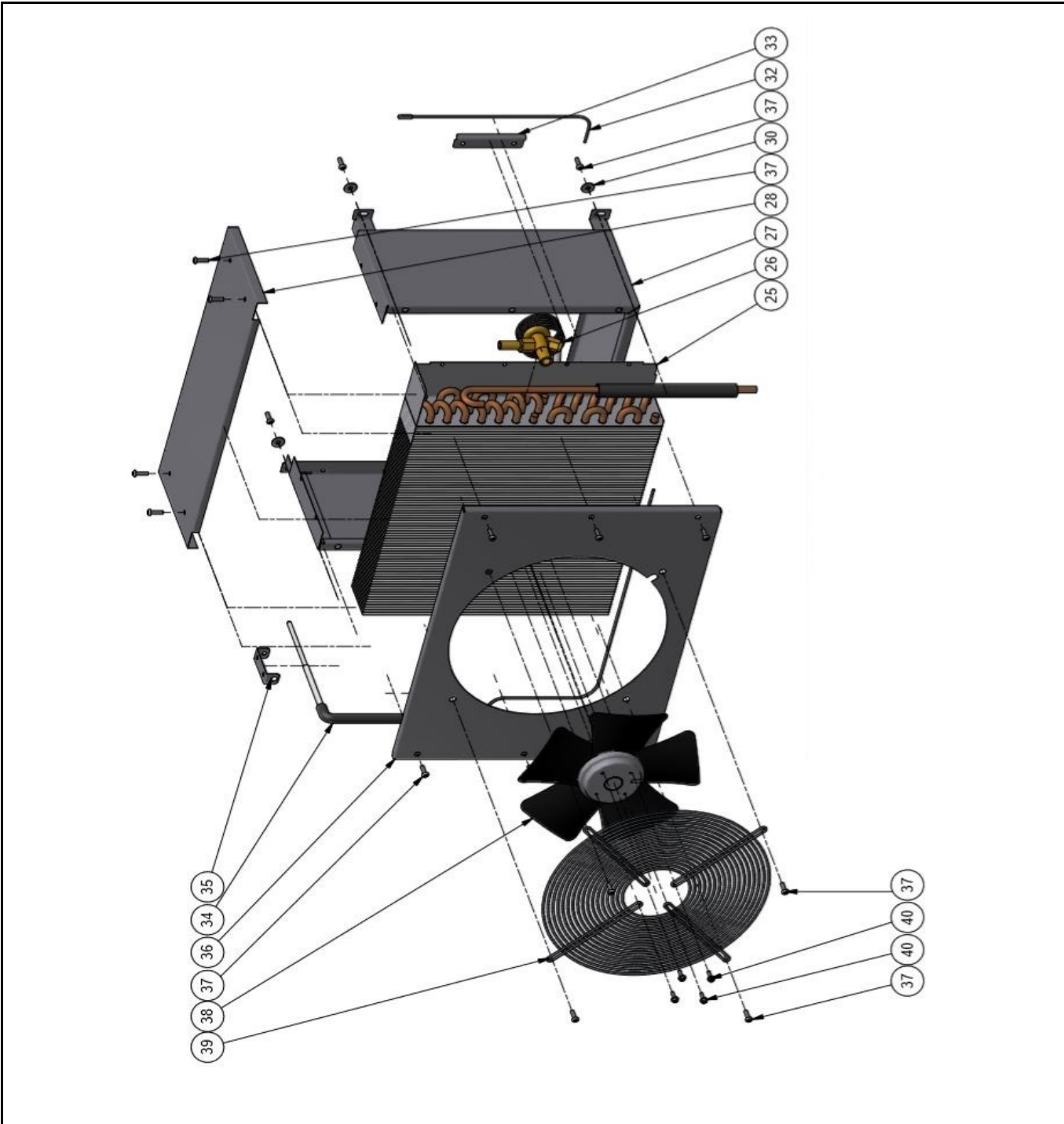


Hendi B.V.
Steenoven 21
3911 TX Rhenen
The Netherlands


| | |
|----------------------------------|-----------------|
| Batch # | Appliance part# |
| 000000 and up (until 12-2017) | 232187 |

| |
|---------------------------|
| Description |
| Blast Chiller 10 X GN 1/1 |

| | | | |
|----------|-------------------------------|------------|-----|
| Date | 29-10-2020 | Revision # | 1.0 |
| Revision | First Bill of Materials (BOM) | | |



Bill of materials (BOM)

| | | |
|---|----------------------------------|------------------------|
|  <b style="font-size: 24px; margin-left: 10px;">HENDI <small style="color: green; margin-left: 10px;">Tools for Chefs</small> Hendi B.V. Steenoven 21 3911 TX Rhenen The Netherlands | Batch # | Appliance part# |
| | 000000 and up (unitl 12-2017) | 232187 |
| | Description | |
| Blast Chiller 10 X GN 1/1 | | |


| | | | |
|-----------------|-------------------------------|-------------------|-----|
| Date | 29-10-2020 | Revision # | 1.0 |
| Revision | First Bill of Materials (BOM) | | |

| Item | Description | Part# | Quantity | Remark | Picture |
|------|--------------------------------|--------|----------|--------|---------|
| 25 | Evaporator (Cold Side) | n/a | 2 | | |
| 26 | Thermostatic Valve | n/a | 2 | | |
| 27 | Evaporator Housing | n/a | 2 | | |
| 28 | Cover Evaporator Housing | n/a | 2 | | |
| 30 | Washer | n/a | 8 | | |
| 32 | Chamber Probe (PTC) | 943540 | 1 | | |
| 33 | Chamber Probe Cover | n/a | 1 | | |
| 34 | Core Temperature Probe | 943557 | 1 | | |
| 35 | Core Temperature Probe Bracket | n/a | 1 | | |
| 36 | Front Cover Evaporator | n/a | 2 | | |
| 37 | Screw (stainless Steel) | n/a | 28 | | |
| 38 | Fan | 928912 | 2 | | |
| 39 | Fan Grill | n/a | 2 | | |
| 40 | Fan Mounting Screw | n/a | 8 | | |
| | | | | | |
| | | | | | |

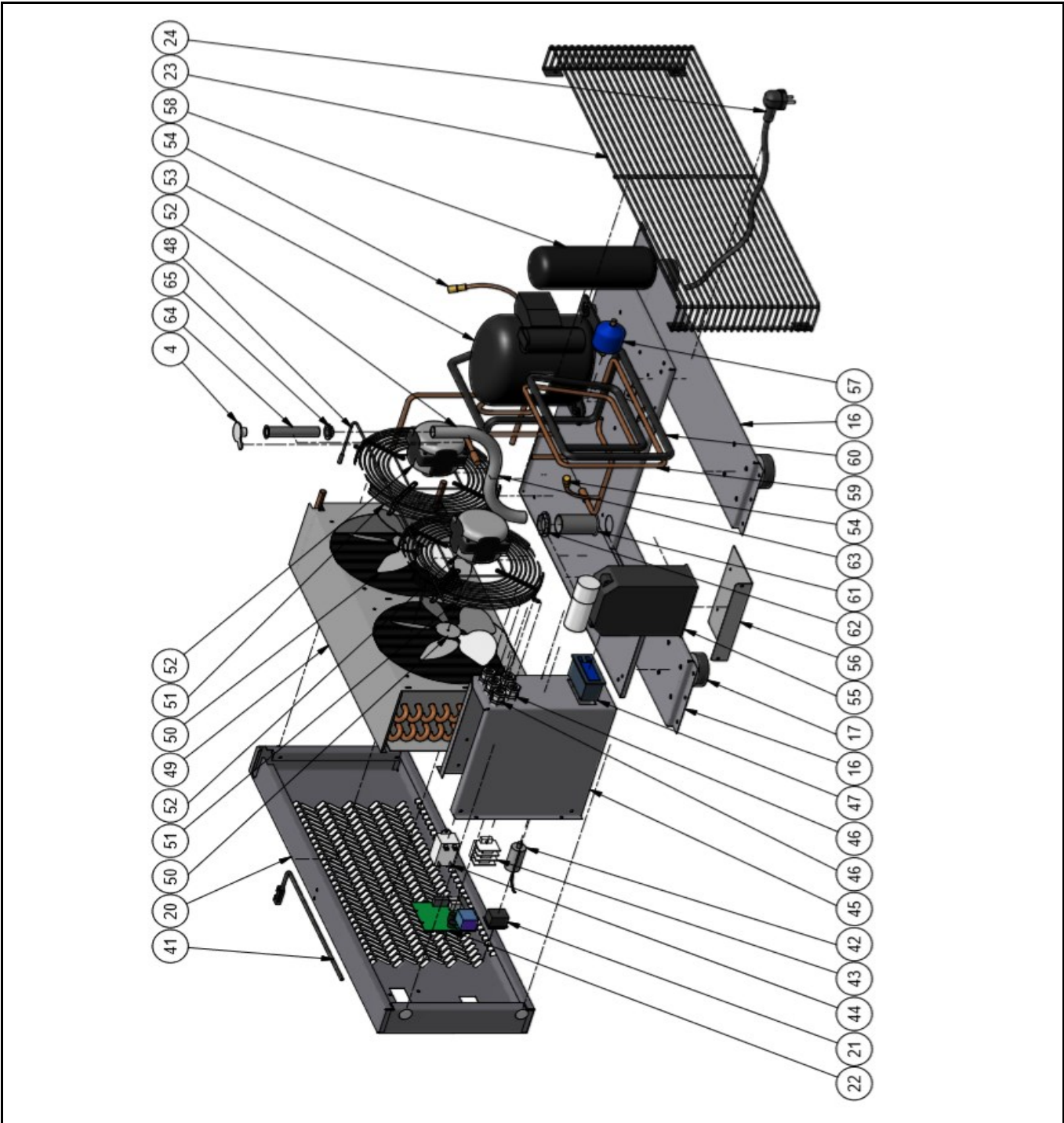
n/a -> not available

nss -> not sold separately


Drawing

| | | |
|--|----------------------------------|-----------------|
|  HENDI Tools for Chefs Hendi B.V. Steenoven 21 3911 TX Rhenen The Netherlands | Batch # | Appliance part# |
| | 000000 and up (until 12-2017) | 232187 |
| | Description | |
| | Blast Chiller 10 X GN 1/1 | |

| | | | |
|----------|-------------------------------|------------|-----|
| Date | 29-10-2020 | Revision # | 1.0 |
| Revision | First Bill of Materials (BOM) | | |



Bill of materials (BOM)

| | | |
|---|----------------------------------|------------------------|
|  HENDI Tools for Chefs Hendi B.V. Steenoven 21 3911 TX Rhenen The Netherlands | Batch # | Appliance part# |
| | 000000 and up (unitl 12-2017) | 232187 |
| | Description | |
| Blast Chiller 10 X GN 1/1 | | |

| | | | |
|-----------------|-------------------------------|-------------------|-----|
| Date | 29-10-2020 | Revision # | 1.0 |
| Revision | First Bill of Materials (BOM) | | |

| Item | Description | Part# | Quantity | Remark | Picture |
|------|-----------------------------------|--------|----------|--------|---------|
| 4 | Bottom Drain Plug | n/a | 1 | | |
| 16 | Bottom Plate | n/a | 2 | | |
| 17 | Foot | n/a | 4 | | |
| 20 | Front Panel | n/a | 1 | | |
| 21 | Switch | n/a | 1 | | |
| 22 | Main PCB | 943533 | 1 | | |
| 23 | Protective Grid | n/a | 1 | | |
| 24 | Power Cord | n/a | 1 | | |
| 41 | Door Sensor | n/a | 1 | | |
| 42 | Capacitor 1.5µF | n/a | 1 | | |
| 43 | Terminal | n/a | 2 | | |
| 44 | Relay Finder 66.82.8.230.0300 | n/a | 1 | | |
| 45 | Inner Housing | n/a | 1 | | |
| 46 | Cable Retention | n/a | 5 | | |
| 47 | Fan Controller (condensor) | n/a | 1 | EW961 | |
| 48 | Temperature Sensor Fan Controller | n/a | 1 | (NTC) | |
| 49 | Condensor | n/a | 1 | | |
| 50 | Fan Blade | n/a | 2 | | |
| 51 | Fan Grill (230mm) | n/a | 2 | | |
| 52 | Fan | 951811 | 2 | | |
| 53 | Compressor | n/a | 1 | | |
| 54 | Compressor Fill Valve | n/a | 2 | | |
| 55 | Electrical Box Compressor | n/a | 1 | | |
| 56 | Electrical Box Bracket | n/a | 1 | | |
| 57 | Solid Cartridge Filter | n/a | 1 | | |
| 58 | Liquid Separator | n/a | 1 | | |
| 59 | Coolant Pipe A | n/a | 1 | | |
| 60 | Coolant Pipe B | n/a | 1 | | |
| 61 | Drain Ø32mm | n/a | 1 | | |
| 62 | Ring for Drain Ø32mm | n/a | 1 | | |
| 63 | PVC Drain Tube Ø20mm | n/a | 1 | | |
| 64 | PVC Drain Pipe Ø20mm | n/a | 1 | | |
| 65 | Ring for Drain Pipe Ø20mm | n/a | 1 | | |
| | | | | | |
| | | | | | |

n/a -> not available

nss -> not sold separately

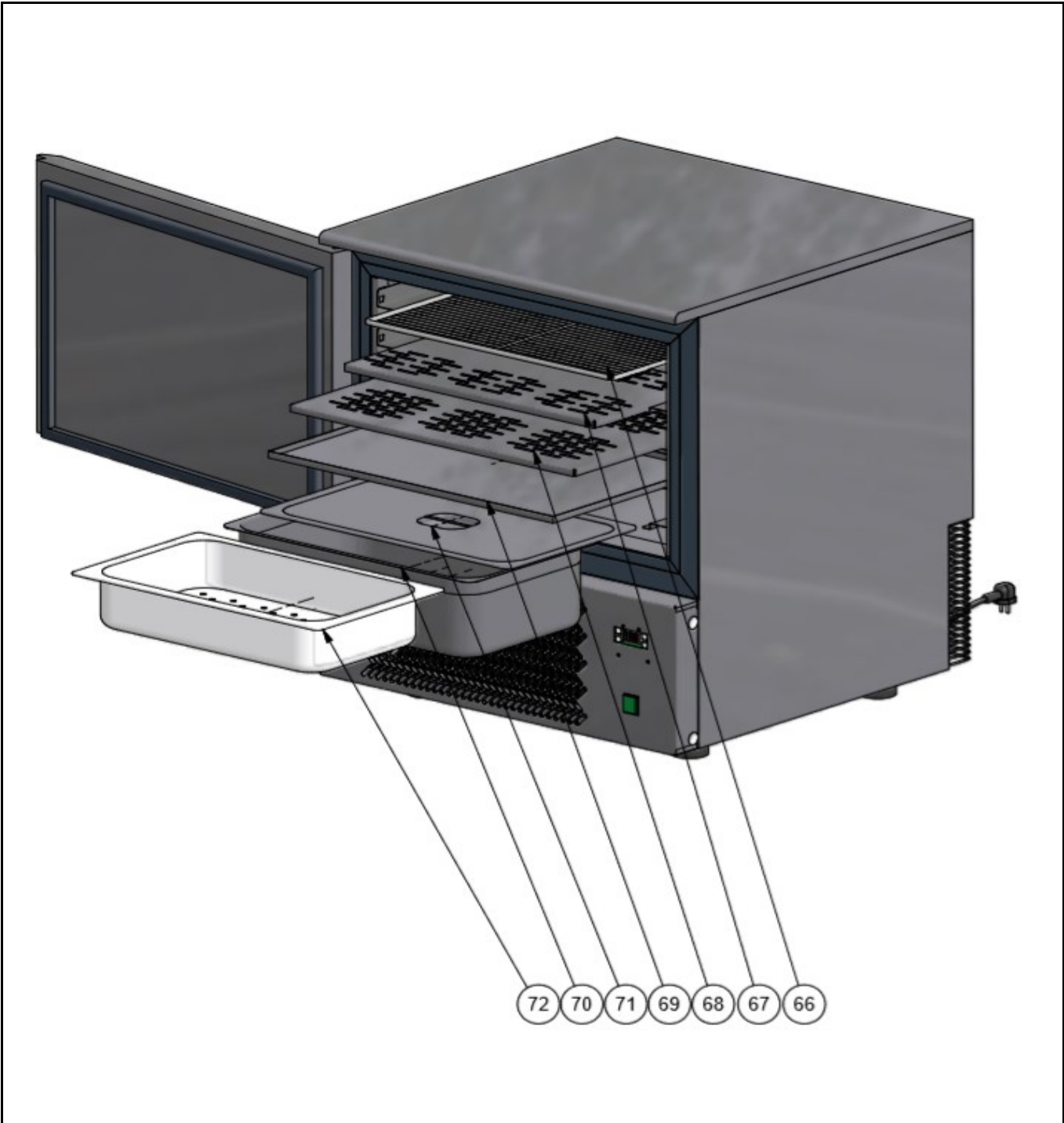
Drawing




Hendi B.V.
Steenoven 21
3911 TX Rhenen
The Netherlands

| | |
|----------------------------------|------------------------|
| Batch # | Appliance part# |
| 000000 and up (until 12-2017) | 232187 |
| Description | |
| Blast Chiller 10 X GN 1/1 | |

| | | | |
|-----------------|-------------------------------|-------------------|-----|
| Date | 29-10-2020 | Revision # | 1.0 |
| Revision | First Bill of Materials (BOM) | | |



Bill of materials (BOM)

| | | |
|--|----------------------------------|------------------------|
|  HENDI <small>Tools for Chefs</small> Hendi B.V. Steenoven 21 3911 TX Rhenen The Netherlands | Batch # | Appliance part# |
| | 000000 and up (unitl 12-2017) | 232187 |
| | Description | |
| Blast Chiller 10 X GN 1/1 | | |

| | | | |
|-----------------|-------------------------------|-------------------|-----|
| Date | 29-10-2020 | Revision # | 1.0 |
| Revision | First Bill of Materials (BOM) | | |

| Item | Description | Part# | Quantity | Remark | Picture |
|------|--|--------|----------|-------------------------|---------|
| 66 | Gris GN 1/1 Blast Chiller | 943564 | 1 | | |
| 67 | Perforated Plate | n/a | 1 | | |
| 67A | Perforated Plate Stainless Steel | n/a | 1 | | |
| 68 | Perforated Shelf 60X40cm | n/a | 1 | | |
| 68A | Perforated Shelf Stainless Steel 60X40cm | n/a | 1 | | |
| 69 | GN 1/1 Stainless Steel Pan | n/a | 1 | | |
| 69A | Stainless Steel Pan 60X40cm | n/a | 1 | | |
| 70 | GN 1/1 Stainless Steel Pan 150 | n/a | 1 | | |
| 71 | Lid GN 1/1 Stainless Steel | n/a | 1 | | |
| 72 | PP Tray witg Fasje Bottom | n/a | 1 | | |
| | Wheel Set | n/a | 4 | Not shown on Drawing(s) | |
| | | | | | |

n/a -> not available

nss -> not sold separately