

Drawing



Tools for Chefs

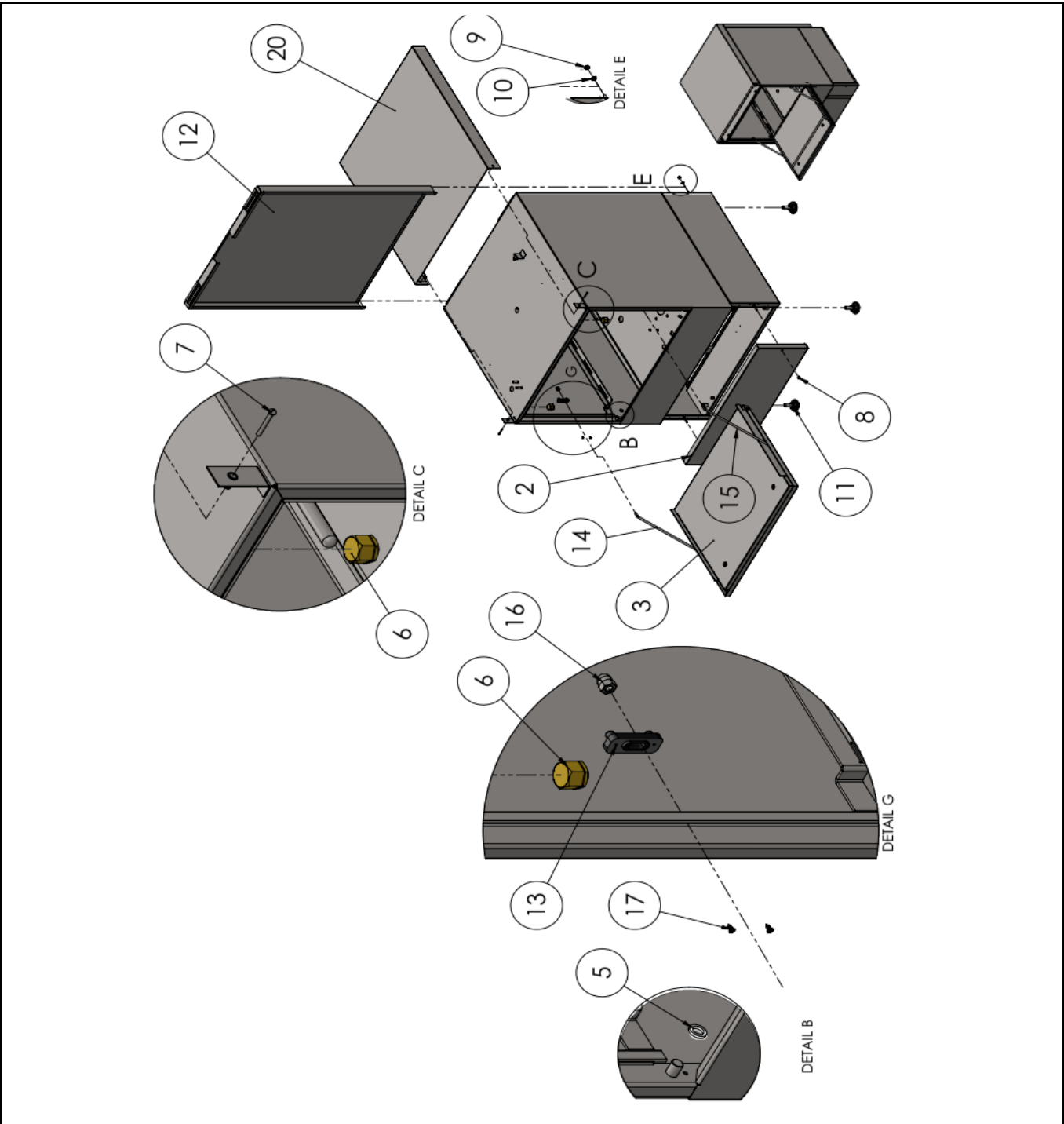
Hendi B.V.
 Steenoven 21
 3911 TX Rhenen
 The Netherlands

Batch #
 181797 and up


Appliance part#
 230305

Description
 Dishwasher K50

Date	14-11-2023	Revision #	1.0
Revision	First Bill of Materials (BOM)		



Bill of materials (BOM)

 <b style="font-size: 24px; margin-left: 10px;">HENDI <small style="color: green; margin-left: 10px;">Tools for Chefs</small> Hendi B.V. Steenoven 21 3911 TX Rhenen The Netherlands	Batch #	Appliance part#
	181797 and up	230305
	Description	
Dishwasher K50		


Date	14-11-2023	Revision #	1.0
Revision	First Bill of Materials (BOM)		

Item	Description	Part#	Quantity	Remark	Picture
2	Front cover	n/a	1		
3	Door assembly complete	n/a	1		
5	Teflon washer	n/a	2		
6	Snap lock door	950326	2		
7	Screw M4x15	n/a	2		
8	Dome nut M4	n/a	2		
9	Nut M4	n/a	2		
10	Lock washer M4	n/a	2		
11	Foot	950364	4		
12	Back cover	n/a	1		
13	Plastic guide	950319	2		
14	Door support axle (left)	n/a	1		
15	Door support axle (right)	n/a	1		
16	Dome nut M6	n/a	2		
17	Screw 2,9x10	n/a	4		
20	Upper cover	n/a	1		

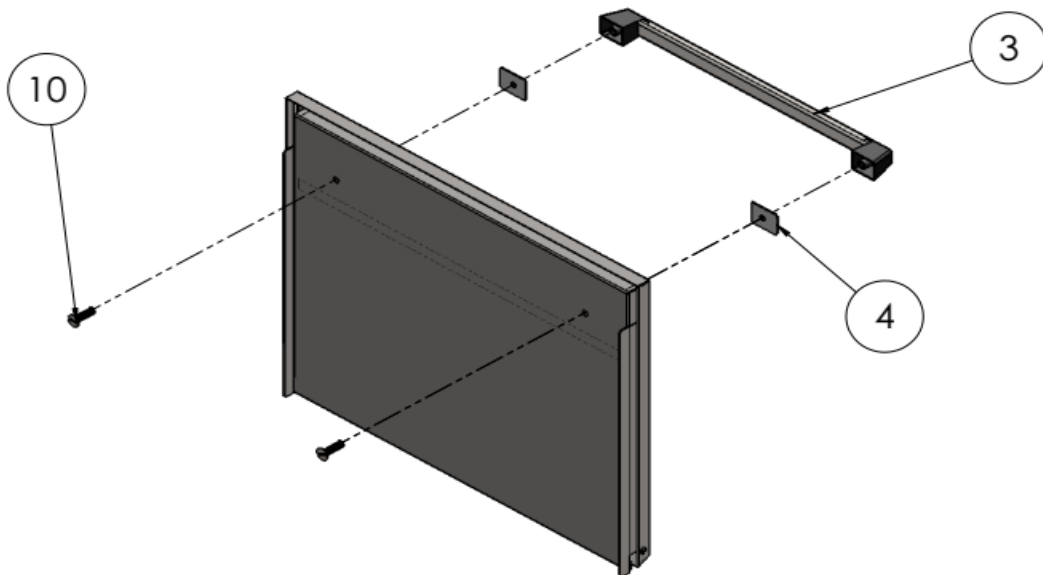
n/a -> not available

nss -> not sold separately

Drawing


 HENDI Tools for Chefs Hendi B.V. Steenoven 21 3911 TX Rhenen The Netherlands	Batch #	Appliance part#
	181797 and up	230305
	Description	
	Dishwasher K50	

Date	14-11-2023	Revision #	1.0
Revision	First Bill of Materials (BOM)		



SCALE 1 : 5

Bill of materials (BOM)

 HENDI <small>Tools for Chefs</small> Hendi B.V. Steenoven 21 3911 TX Rhenen The Netherlands	Batch #	Appliance part#
	181797 and up	230305
	Description	
		Dishwasher K50

Date	14-11-2023	Revision #	1.0
Revision	First Bill of Materials (BOM)		

Item	Description	Part#	Quantity	Remark	Picture
3	Door Handle complete assembly	950371	1		
4	Plastic flange	nss	2	Available as 950371	
10	Countersunk bolt M8x30	nss	2	Available as 950371	

n/a -> not available

nss -> not sold separately

Drawing



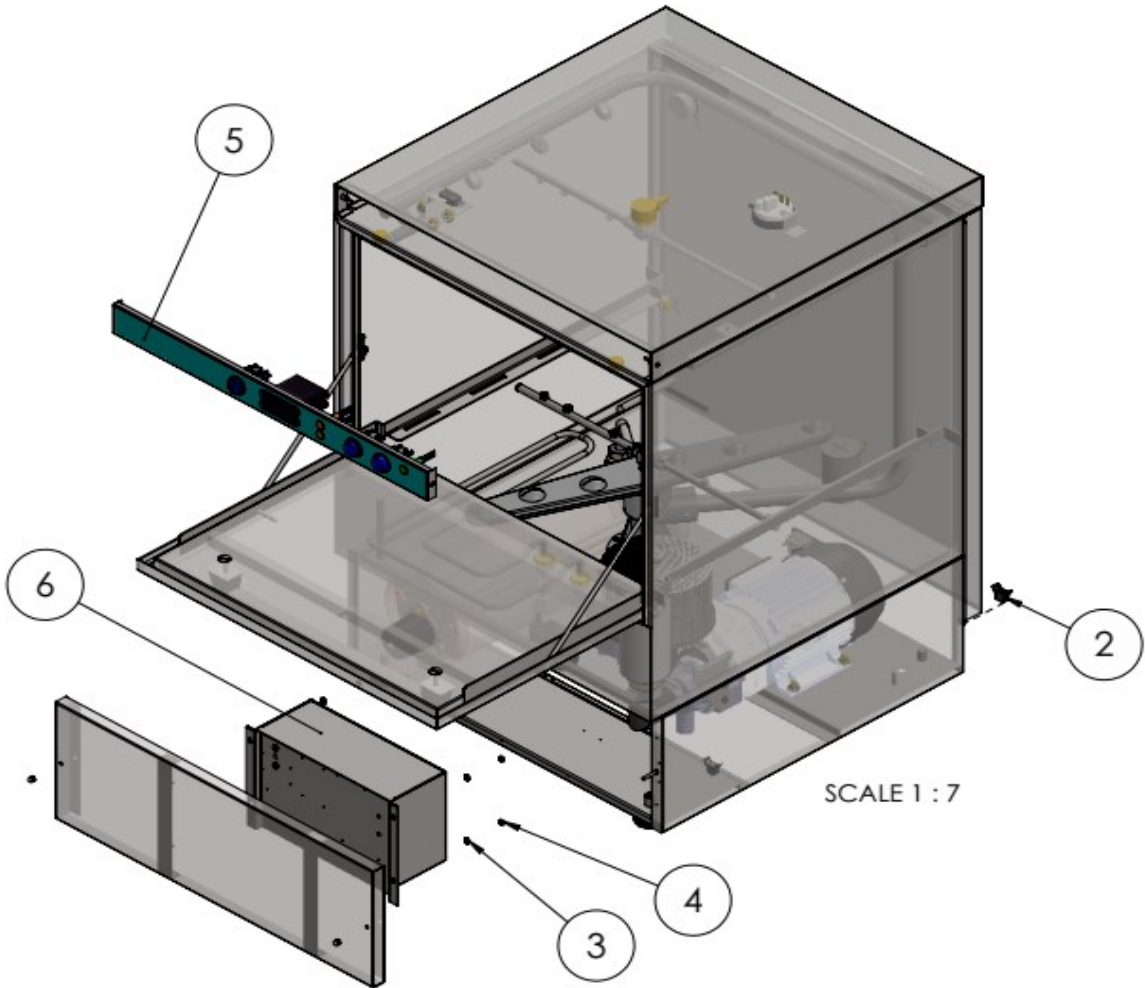
Hendi B.V.
Steenoven 21
3911 TX Rhenen
The Netherlands

Batch #
181797 and up


Appliance part#
230305

Description
Dishwasher K50

Date	14-11-2023	Revision #	1.0
Revision	First Bill of Materials (BOM)		



Bill of materials (BOM)

 <b style="font-size: 24px; margin-left: 10px;">HENDI Tools for Chefs Hendi B.V. Steenoven 21 3911 TX Rhenen The Netherlands	Batch #	Appliance part#
	181797 and up	230305
	Description	
	Dishwasher K50	

Date	14-11-2023	Revision #	1.0
Revision	First Bill of Materials (BOM)		

Item	Description	Part#	Quantity	Remark	Picture
1					
2	Plastic clamp	2	n/a		
3	Lock washer M4	4	n/a		
4	Nut M4	4	n/a		
5	Display panel complete	1	n/a		
6	Electrical box	1	n/a		

n/a -> not available

nss -> not sold separately

Drawing



Tools for Chefs

Hendi B.V.
Steenoven 21
3911 TX Rhenen
The Netherlands

Batch #

181797 and up

Appliance part#

230305

Description

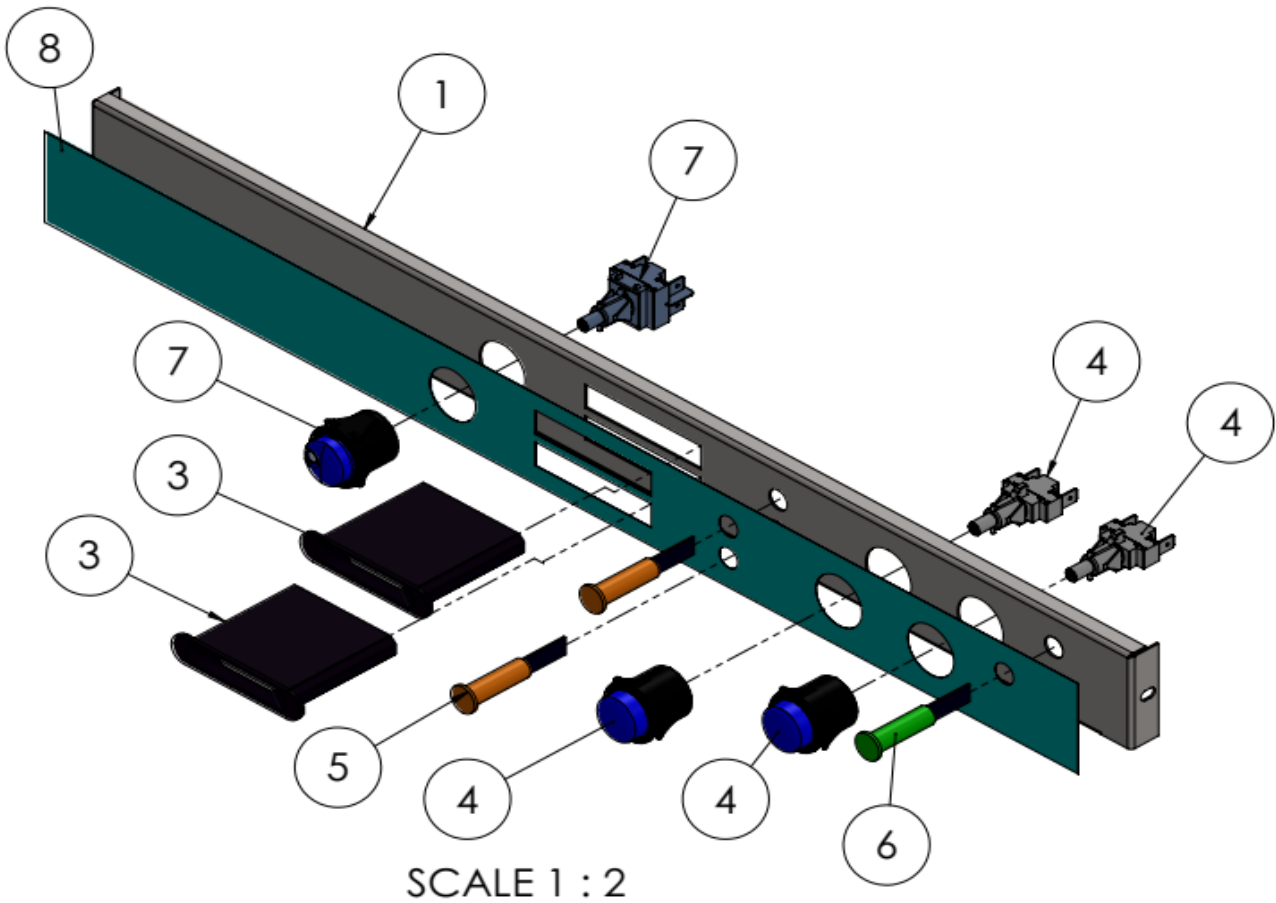
Dishwasher K50

Date 14-11-2023


Revision #

1.0

Revision First Bill of Materials (BOM)



Bill of materials (BOM)

 HENDI Tools for Chefs Hendi B.V. Steenoven 21 3911 TX Rhenen The Netherlands	Batch #	Appliance part#
	181797 and up	230305
	Description	
	Dishwasher K50	

Date	14-11-2023	Revision #	1.0
Revision	First Bill of Materials (BOM)		

Item	Description	Part#	Quantity	Remark	Picture
1	Display panel	n/a	1		
3	Temperature indicator	950074	2		
4	Start switch (2P)	950050	2		
5	Signaal lamp oranje	950043	2		
6	Signaal lamp groen	950036	1		
7	On/Off switch (oval, 2P)	952252	1		
8	Display sticker	n/a	1		

n/a -> not available

nss -> not sold separately

Drawing



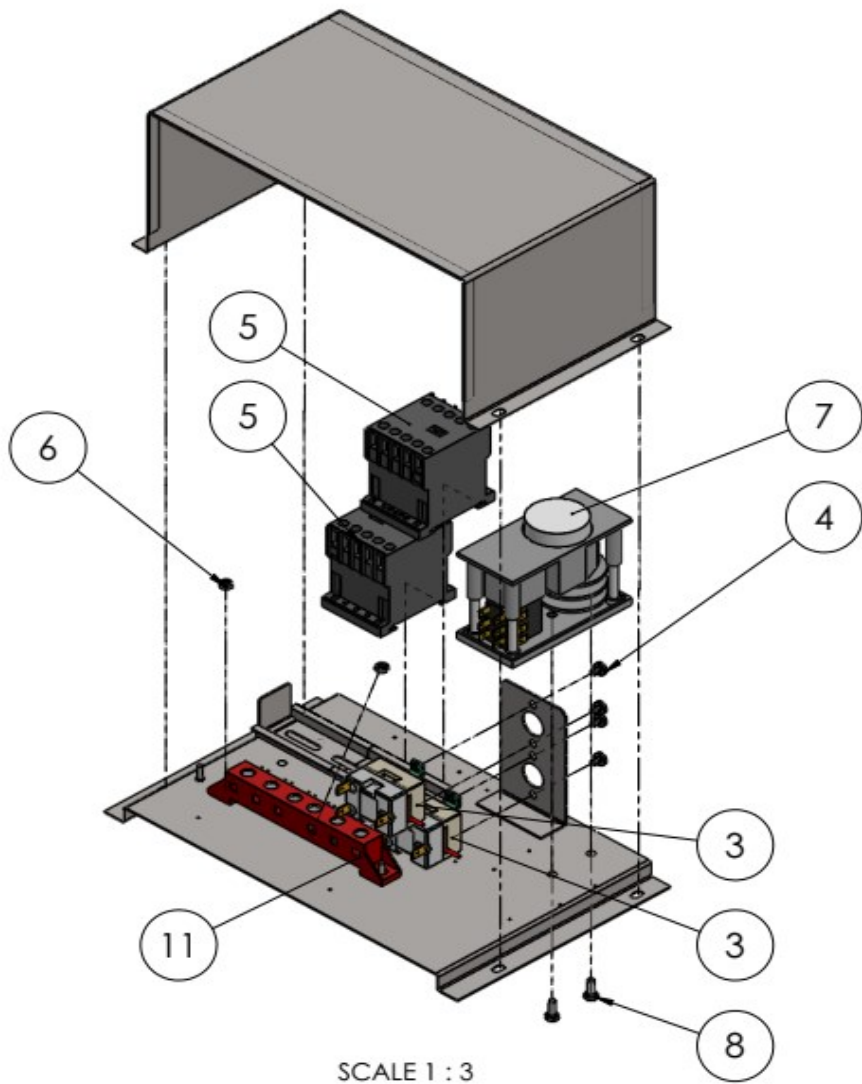
Hendi B.V.
Steenoven 21
3911 TX Rhenen
The Netherlands

Batch #
181797 and up

Appliance part#
230305

Description
Dishwasher K50

Date	14-11-2023	Revision #	1.0
Revision	First Bill of Materials (BOM)		



Drawing



Tools for Chefs

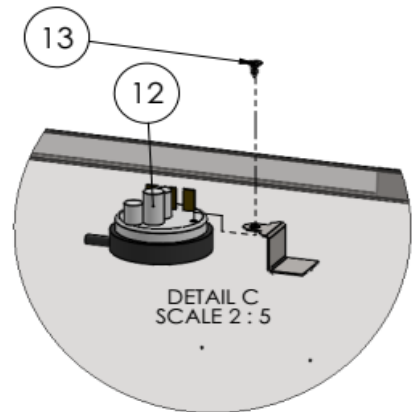
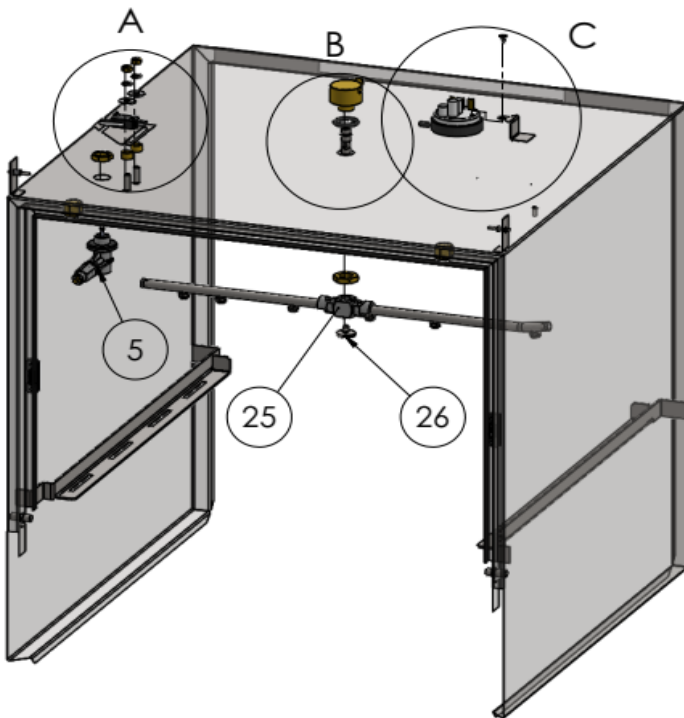
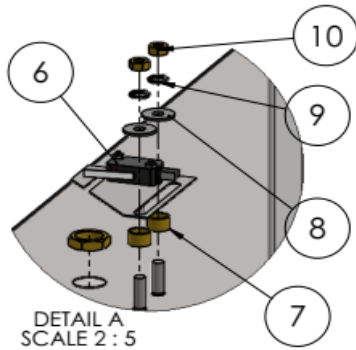
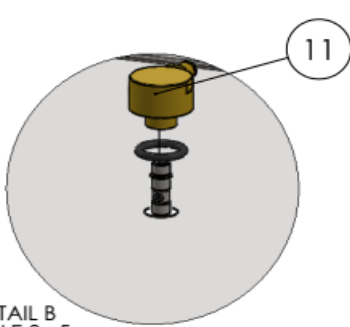
Hendi B.V.
 Steenoven 21
 3911 TX Rhenen
 The Netherlands

Batch #
 181797 and up


Appliance part#
 230305

Description
 Dishwasher K50

Date	14-11-2023	Revision #	1.0
Revision	First Bill of Materials (BOM)		



Bill of materials (BOM)

 <b style="font-size: 24px; margin-left: 10px;">HENDI <small style="color: green; margin-left: 10px;">Tools for Chefs</small> Hendi B.V. Steenoven 21 3911 TX Rhenen The Netherlands	Batch #	Appliance part#
	181797 and up	230305
	Description	
Dishwasher K50		

Date	14-11-2023	Revision #	1.0
Revision	First Bill of Materials (BOM)		

Item	Description	Part#	Quantity	Remark	Picture
5	Door switch lever assembly	950333	1		
6	Door switch	nss	1		
7	Spacer	n/a	2		
8	Washer \varnothing 6x18	n/a	2		
9	Lock washer M6	n/a	2		
10	Nut M6	n/a	2		
11	Wash arm support (upper)	950401	1		
12	Pressostat	950098	1		
13	Screw 3.5x9.5	n/a	1		
25	Rinse arm (upper/lower)	950418	1		
26	Thumb screw for wash arm	950272	1		

n/a -> not available

nss -> not sold separately

Drawing



Tools for Chefs

Hendi B.V.
Steenoven 21
3911 TX Rhenen
The Netherlands

Batch #

181797 and up

Appliance part#

230305

Description

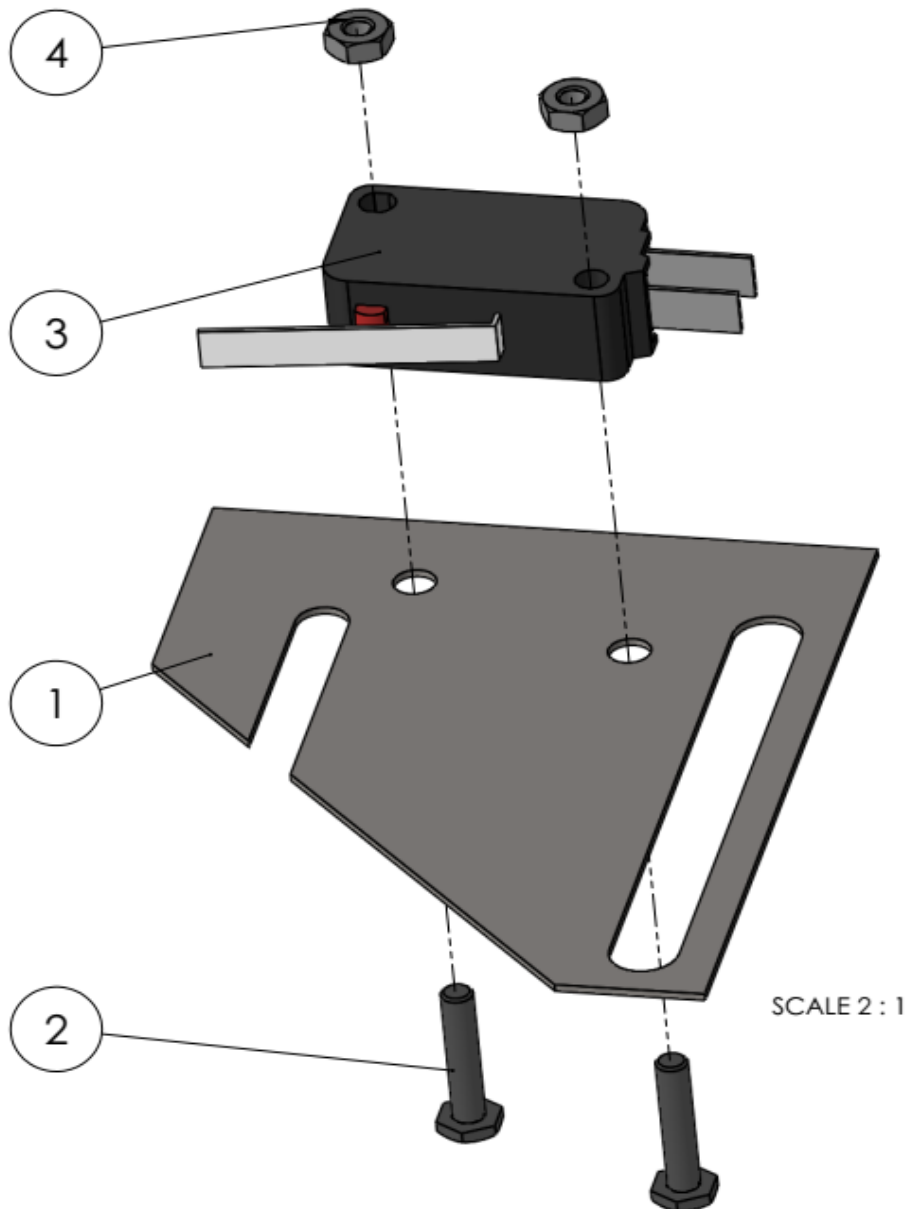
Dishwasher K50

Date 14-11-2023


Revision #

1.0

Revision First Bill of Materials (BOM)



Bill of materials (BOM)

 HENDI <small>Tools for Chefs</small> Hendi B.V. Steenoven 21 3911 TX Rhenen The Netherlands	Batch #	Appliance part#
	181797 and up	230305
	Description	
		Dishwasher K50


Date	14-11-2023	Revision #	1.0
Revision	First Bill of Materials (BOM)		

Item	Description	Part#	Quantity	Remark	Picture
1	Door switch (complete assembly)	949955	1		
2	Bolt M3x16	nss	2	Available as 949955	
3	Door switch	nss	1	Available as 949955	
4	Nut M3	nss	2	Available as 949955	

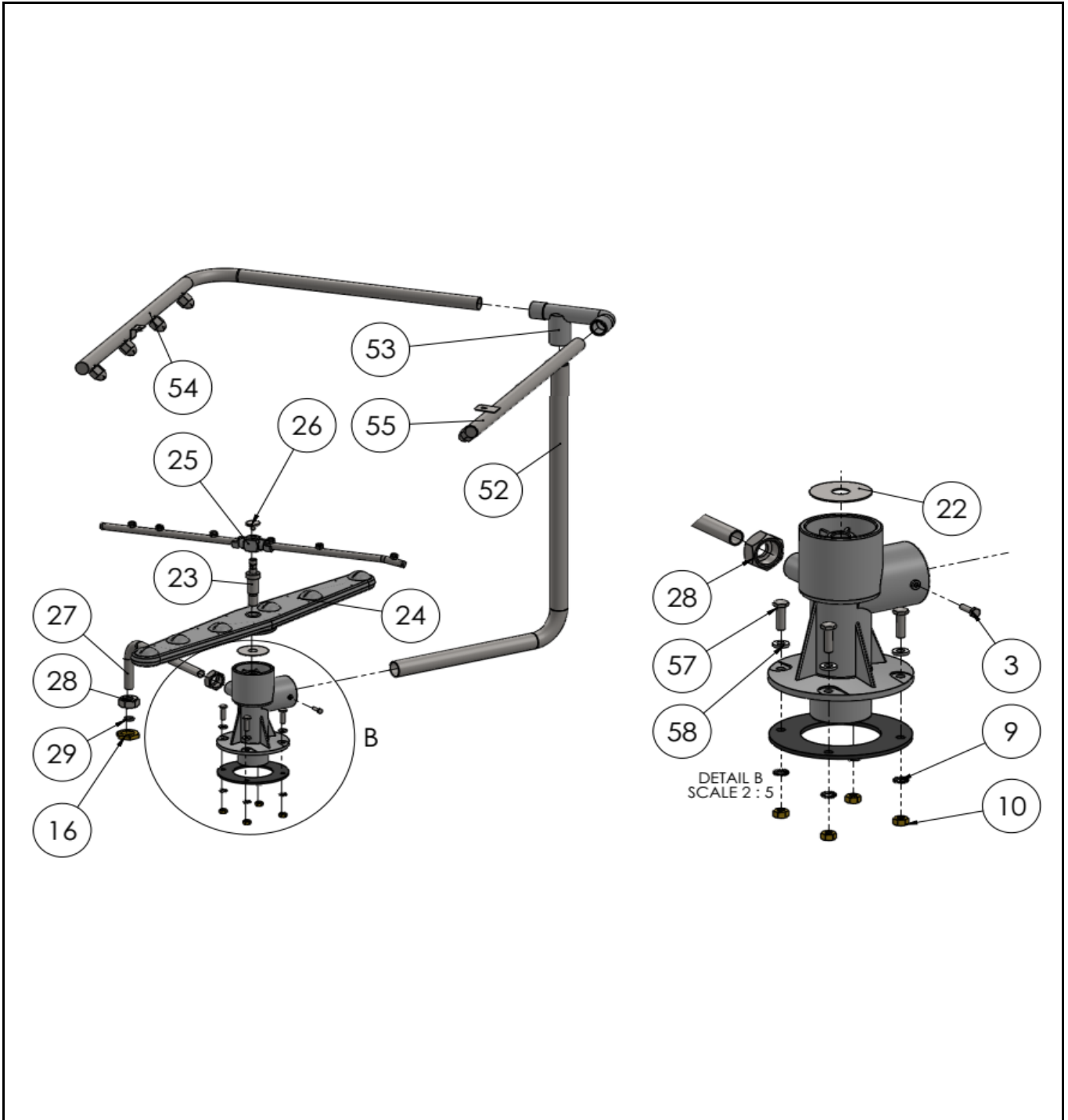
n/a -> not available

nss -> not sold separately


Drawing

 HENDI Tools for Chefs Hendi B.V. Steenoven 21 3911 TX Rhenen The Netherlands	Batch #	Appliance part#
	181797 and up	230305
	Description	
	Dishwasher K50	

Date	14-11-2023	Revision #	1.0
Revision	First Bill of Materials (BOM)		



Bill of materials (BOM)

 <b style="font-size: 24px; margin-left: 10px;">HENDI <small style="color: green; margin-left: 10px;">Tools for Chefs</small> Hendi B.V. Steenoven 21 3911 TX Rhenen The Netherlands	Batch #	Appliance part#
	181797 and up	230305
	Description	
	Dishwasher K50	

Date	14-11-2023	Revision #	1.0
Revision	First Bill of Materials (BOM)		

Item	Description	Part#	Quantity	Remark	Picture
3	Wash arm support (lower)	950425	1		
9	Lock washer M6	n/a	4		
10	Nut M6	n/a	4		
16	Nut 1/2"	n/a	1		
22	Disc	nss	1		
23	Rinse arm shaft	950432	1		
24	Lower wash arm	950449	1		
25	Rinse arm (upper/lower)	950418	2		
26	Moer tbv was/naspoelarm	950272	2		
27	Lock nut for rinsing arm	n/a	2		
28	Rinse pipe	n/a	1		
29	Rinse pipe retaining nut	n/a	2		
30	O-ring 3x10,5	n/a	2		
52	Supply pipe upper wash system	n/a	1		
53	Connector washing system plastic part	950456	1		
54	Upper washing system	n/a	1		
55	Inox pipe	n/a	1		
57	Hex bolt M6x20	n/a	4		
58	Teflon washer	n/a	4		

n/a -> not available

nss -> not sold separately

Drawing



Tools for Chefs

Hendi B.V.
Steenoven 21
3911 TX Rhenen
The Netherlands

Batch #

181797 and up

Appliance part#

230305

Description

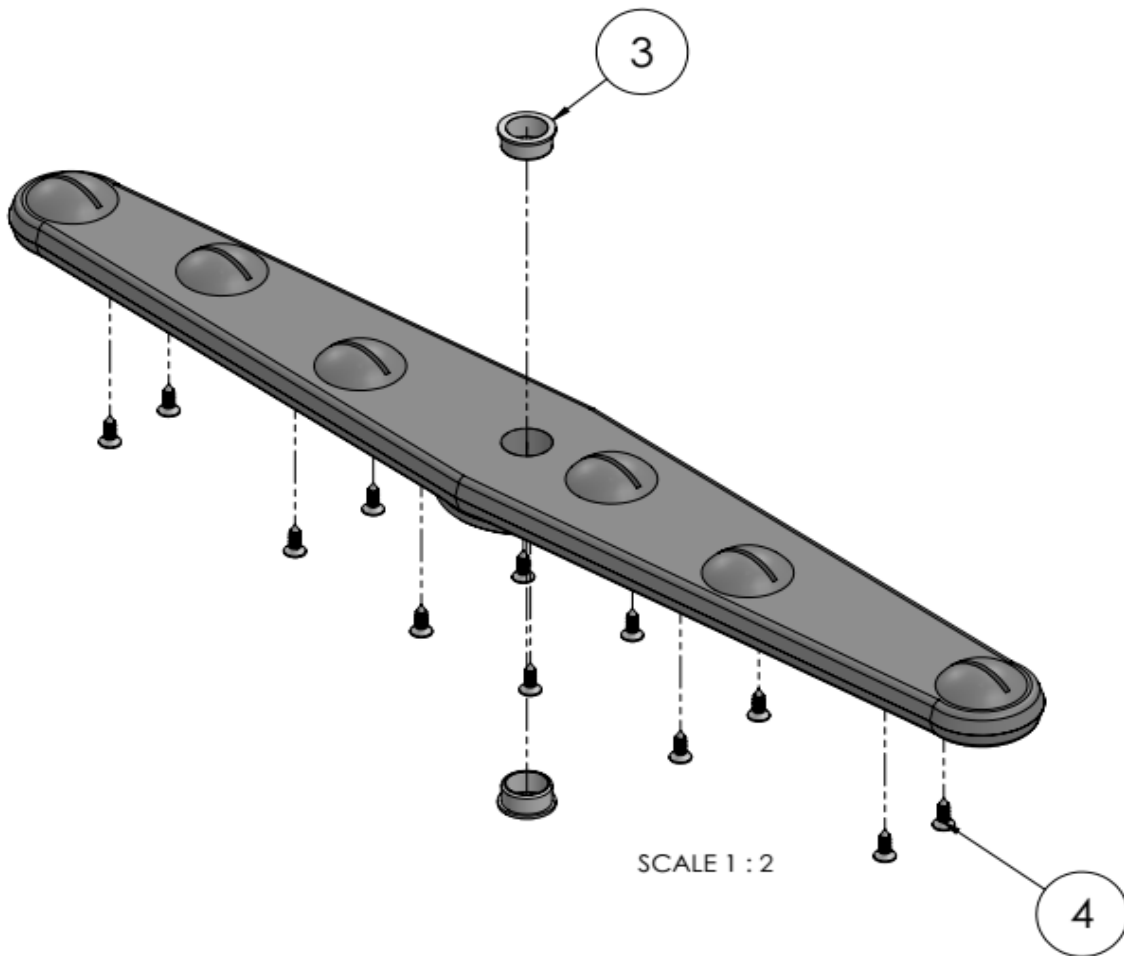
Dishwasher K50

Date 14-11-2023


Revision #

1.0

Revision First Bill of Materials (BOM)



Bill of materials (BOM)

 HENDI Tools for Chefs Hendi B.V. Steenoven 21 3911 TX Rhenen The Netherlands	Batch #	Appliance part#
	181797 and up	230305
	Description	
	Dishwasher K50	

Date	14-11-2023	Revision #	1.0
Revision	First Bill of Materials (BOM)		

Item	Description	Part#	Quantity	Remark	Picture
3	Teflon insert Ø23x10	n/a	2		
4	Inox screw 4,2x13	n/a	12		

n/a -> not available

nss -> not sold separately

Drawing



Tools for Chefs

Hendi B.V.
Steenoven 21
3911 TX Rhenen
The Netherlands

Batch #

181797 and up

Appliance part#

230305

Description

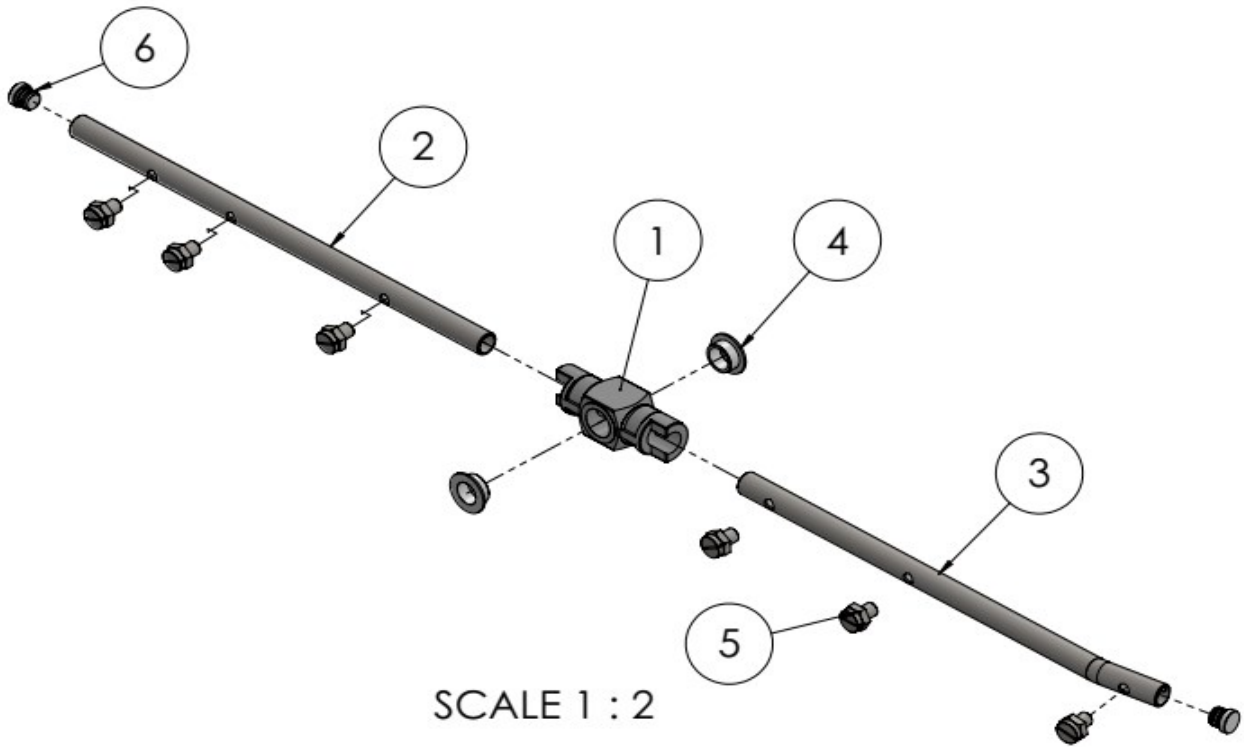
Dishwasher K50

Date 14-11-2023


Revision #

1.0

Revision First Bill of Materials (BOM)



Bill of materials (BOM)

 HENDI Tools for Chefs Hendi B.V. Steenoven 21 3911 TX Rhenen The Netherlands	Batch #	Appliance part#
	181797 and up	230305
	Description	
	Dishwasher K50	

Date	14-11-2023	Revision #	1.0
Revision	First Bill of Materials (BOM)		

Item	Description	Part#	Quantity	Remark	Picture
1	Base	nss	1	Available as 950418	
2	Rinse arm (B)	nss	1	Available as 950418	
3	Rinse arm (A)	nss	1	Available as 950418	
4	Teflon insert Ø 18x6	nss	2	Available as 950418	
5	Jet for washing arm	nss	6	Available as 950418	
6	End cap	nss	2	Available as 950418	

n/a -> not available
nss -> not sold separately

Drawing



Tools for Chefs

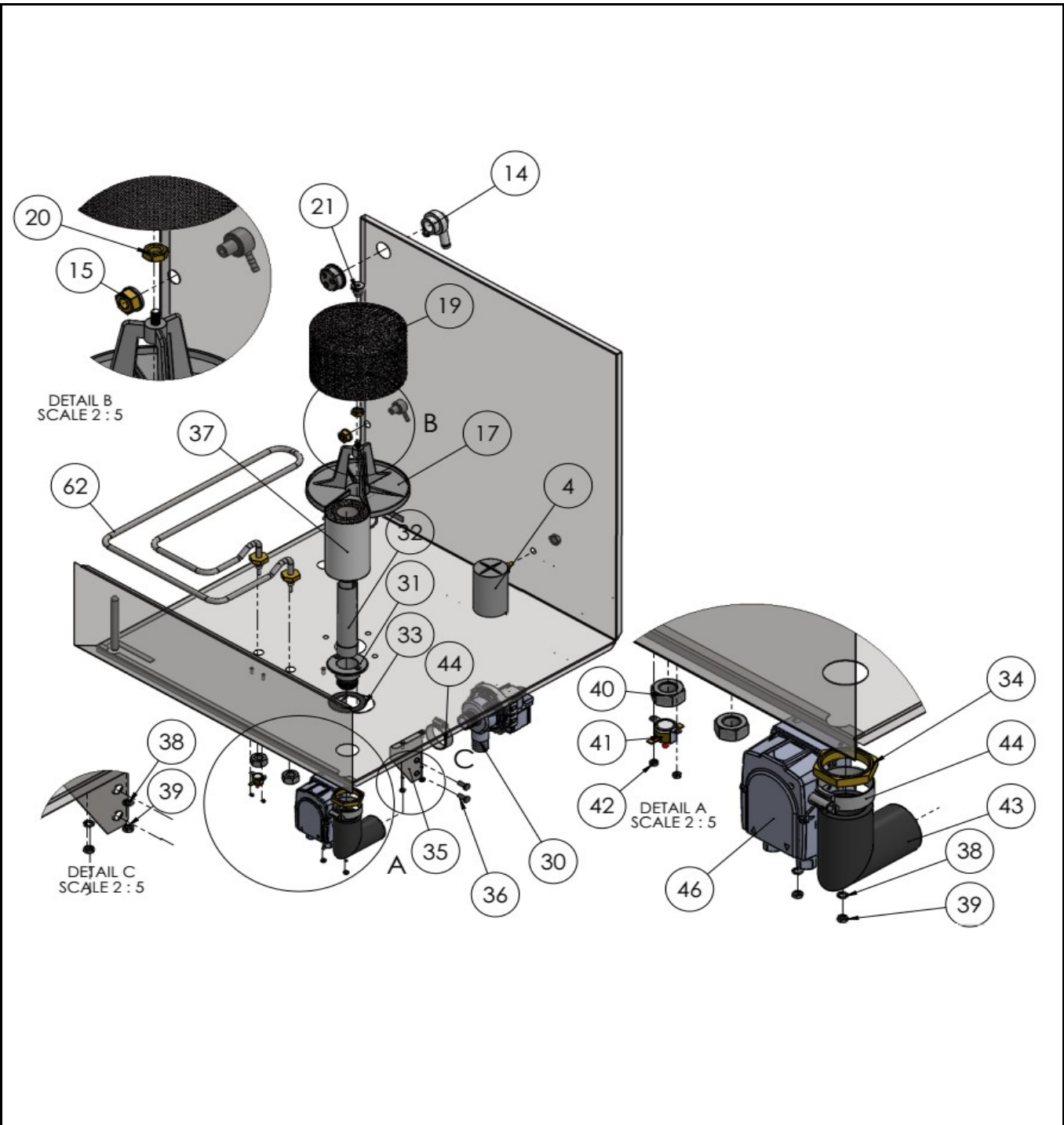
Hendi B.V.
 Steenoven 21
 3911 TX Rhenen
 The Netherlands

Batch #
 181797 and up


Appliance part#
 230305

Description
 Dishwasher K50

Date	14-11-2023	Revision #	1.0
Revision	First Bill of Materials (BOM)		



Bill of materials (BOM)

 <b style="font-size: 24px; margin-left: 10px;">HENDI Tools for Chefs Hendi B.V. Steenoven 21 3911 TX Rhenen The Netherlands	Batch #	Appliance part#
	181797 and up	230305
	Description	
	Dishwasher K50	

Date	14-11-2023	Revision #	1.0
Revision	First Bill of Materials (BOM)		

Item	Description	Part#	Quantity	Remark	Picture
4	Pressostat	950098	1		
14	Non return valve	n/a	1		
15	Detergent injector	n/a	1		
17	Base for tank filter	n/a	1		
18	Filter round inlet drainpump	950494	1		
20	M10 nut	n/a	1		
21	Retaining nut filter	950357	1		
30	Drain pump 230V/65W	n/a	1	Not available in this model	
31	Base for overflow pipe	961971	1	Incl. item 33 and 34	
32	Overflow pipe (K50)	950487	1		
33	Rubber gasket 35x55x1	nss	1	Available as 961971	
34	Bronze nut M36	nss	1	Available as 961971	
35	Bracket	n/a	1		
36	M6 bolt	n/a	2		
37	Filter round inlet drainpump	950494	1		
38	Lock washer M4	n/a	4		
39	Nut M4	n/a	4		
40	Nut M14	n/a	2		
41	Hi-limiter 90°C Tank (manual reset)	950128	1		
42	Nut M3	n/a	2		
43	Formed hose (inlet drainpump)	n/a	1	Not available in this model	
44	Hose clamp S/S 25-40mm	n/a	2	Not available in this model	
46	Detergent pump	n/a	1	Not available in this model	
62	Element tank 230V/2800W	950517	1		

n/a -> not available

nss -> not sold separately

Drawing



Tools for Chefs

Hendi B.V.
Steenoven 21
3911 TX Rhenen
The Netherlands

Batch #

181797 and up

Appliance part#

230305

Description

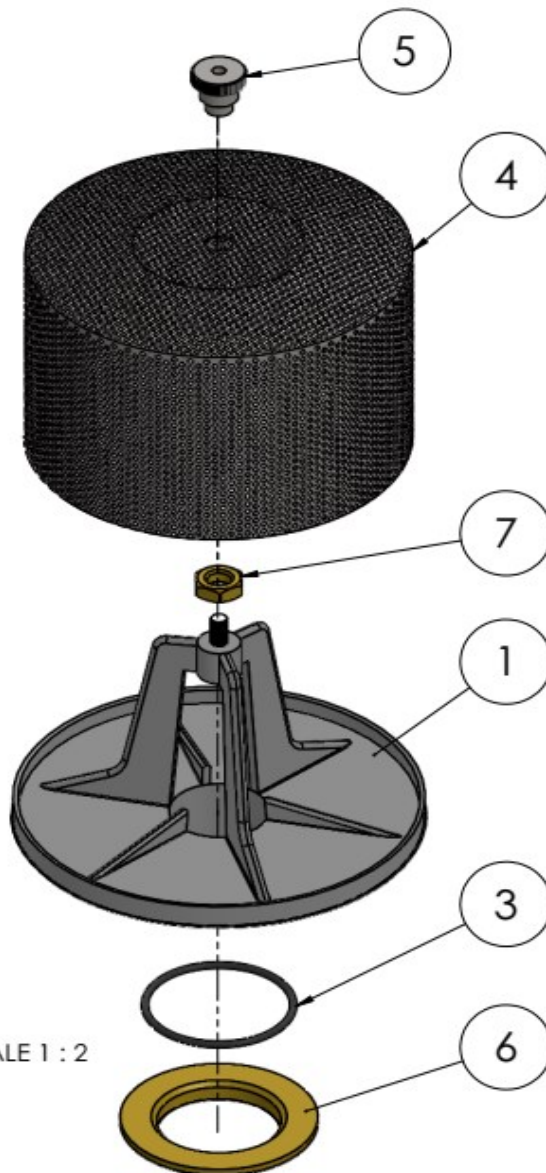
Dishwasher K50

Date 14-11-2023


Revision #

1.0

Revision First Bill of Materials (BOM)



Bill of materials (BOM)

 HENDI <small>Tools for Chefs</small> Hendi B.V. Steenoven 21 3911 TX Rhenen The Netherlands	Batch #	Appliance part#
	181797 and up	230305
	Description	
	Dishwasher K50	

Date	14-11-2023	Revision #	1.0
Revision	First Bill of Materials (BOM)		

Item	Description	Part#	Quantity	Remark	Picture
1	Base for tank filter	n/a	1		
3	O-Ring 52x2,5	n/a	1		
4	Filter round inlet washpump (K50)	950470	1		
5	Filter retaining nut	950357	1		
6	Nut 1/2	n/a	1		
7	Nut M10	n/a	1		

n/a -> not available

nss -> not sold separately

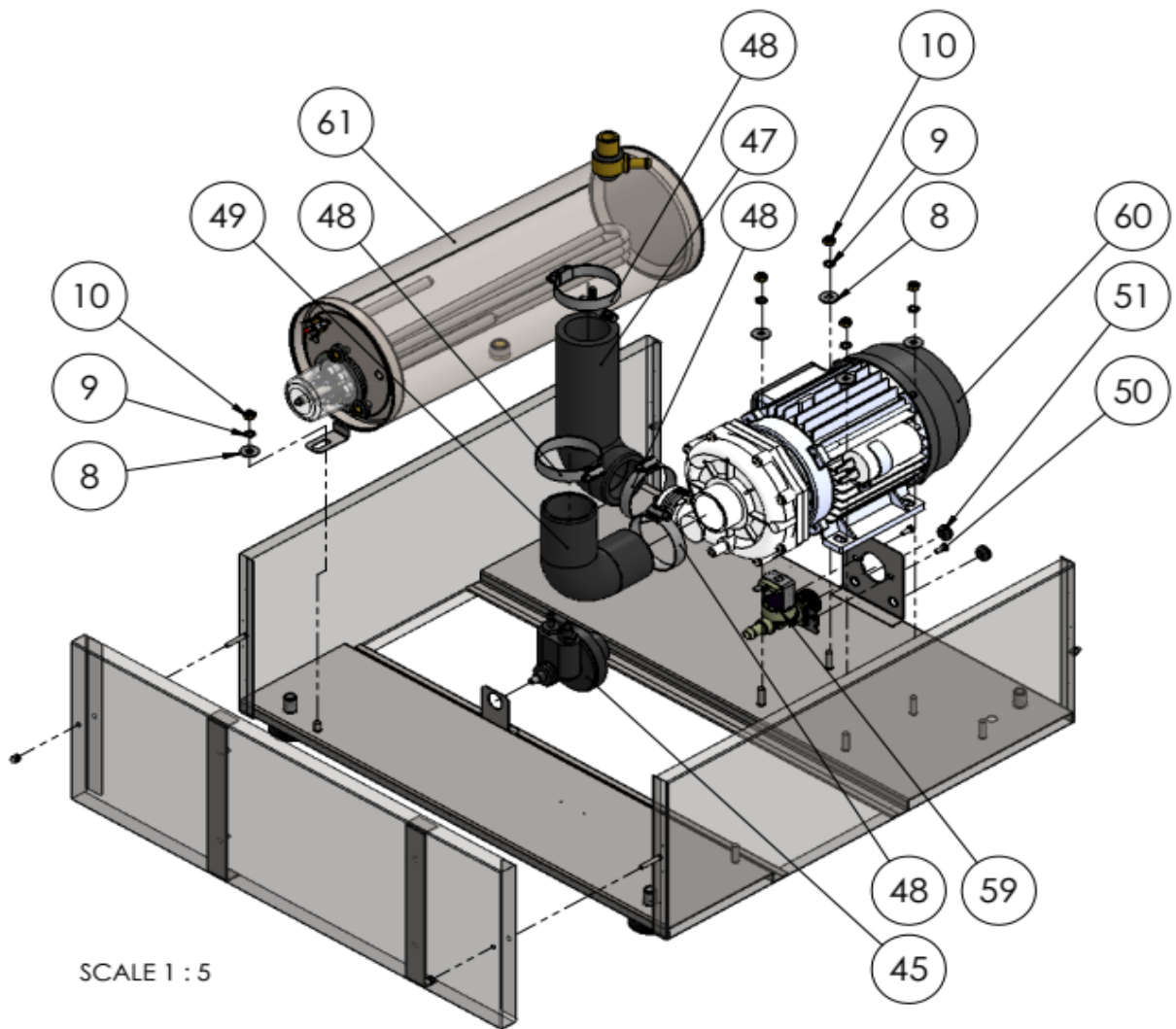
Drawing




Hendi B.V.
 Steenoven 21
 3911 TX Rhenen
 The Netherlands

Batch #	Appliance part#
181797 and up	230305
Description	
Dishwasher K50	

Date	14-11-2023	Revision #	1.0
Revision	First Bill of Materials (BOM)		



Bill of materials (BOM)

 <b style="font-size: 24px; margin-left: 10px;">HENDI <small style="color: green; margin-left: 10px;">Tools for Chefs</small> Hendi B.V. Steenoven 21 3911 TX Rhenen The Netherlands	Batch #	Appliance part#
	181797 and up	230305
	Description	
Dishwasher K50		

Date	14-11-2023	Revision #	1.0
Revision	First Bill of Materials (BOM)		

Item	Description	Part#	Quantity	Remark	Picture
8	Washer M6	n/a	5		
9	Lock washer M6	n/a	5		
10	Nut M6	n/a	5		
45	Dosing pump (rinse aid)	950142	1		
47	Formed hose (outlet pump)	950524	1		
48	Hose clamp S/S 40-60mm	950531	1		
49	Formed hose (inlet pump)	950548	1		
50	Bolt M4x10	n/a	2		
59	Water valve 1-way	950159	1		
60	Wash pump 230V/0,70HP IP22	964262	1		
61	Boiler complete assembly	n/a	1		

n/a -> not available

nss -> not sold separately

Drawing



Tools for Chefs

Hendi B.V.
Steenoven 21
3911 TX Rhenen
The Netherlands

Batch #

181797 and up

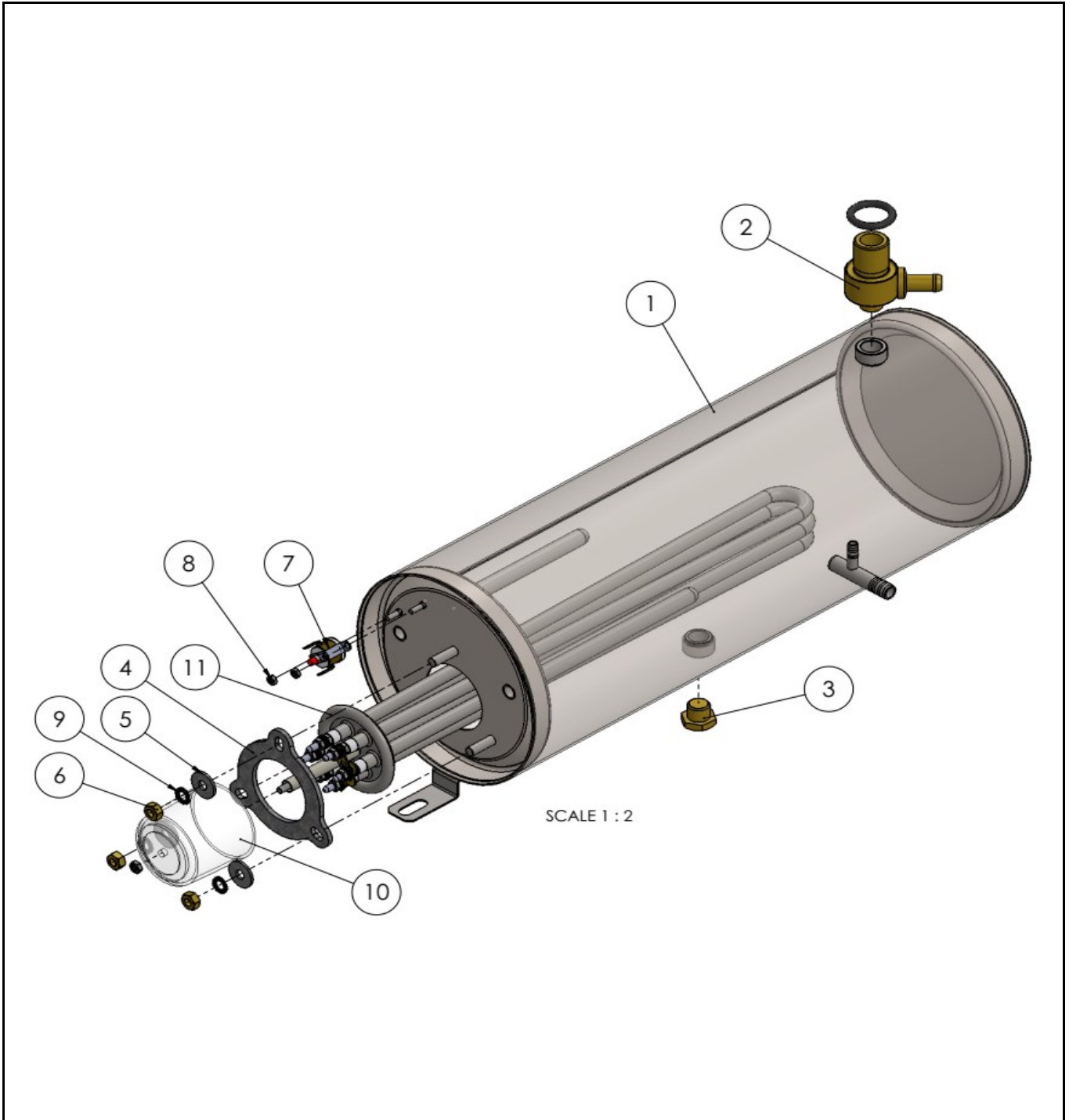
Appliance part#

230305


Description

Dishwasher K50

Date	14-11-2023	Revision #	Revision version
Revision	First Bill of Materials (BOM)		



Bill of materials (BOM)

 <b style="font-size: 24px; margin-left: 10px;">HENDI <small style="color: green; margin-left: 10px;">Tools for Chefs</small> Hendi B.V. Steenoven 21 3911 TX Rhenen The Netherlands	Batch #	Appliance part#
	181797 and up	230305
	Description	
	Dishwasher K50	

Date	14-11-2023	Revision #	1.0
Revision	First Bill of Materials (BOM)		

Item	Description	Part#	Quantity	Remark	Picture
1	Boiler ø140x400	n/a	1		
2	Outlet boiler	n/a	1		
3	Drain cap	n/a	1		
4	Retaining ring	n/a	1		
5	Washer M6x18	n/a	3		
6	Nut M6	n/a	3		
7	Hi-limiter 105°C Boiler (manual reset)	950197	1		
8	Nut M3	n/a	2		
9	Lock washer M6	n/a	3		
10	Cover element	n/a	1		
11	Element boiler 400V/6000W	950562	1		

n/a -> not available

nss -> not sold separately

Circuit diagram



Hendi B.V.
 Steenoven 21
 3911 TX Rhenen
 The Netherlands

Tools for Chefs

Batch #	Appliance part#
181797 and up	230305

Description
Dishwasher K50

Date	14-11-2023	Revision #	1.0
Revision	First Bill of Materials (BOM)		

