



HENDI
FOOD SERVICE EQUIPMENT

User manual
Gebrauchsanweisung
Instrukcja obsługi
Руководство по эксплуатации

GAS COOKER - 5 BURNERS KITCHEN LINE WITH ELECTRIC CONVECTION OVEN WITH GRILL

**KUCHNIA GAZOWA 5-PALNIKOWA KITCHEN
LINE Z KONWEKCYJNYM PIEKARNIKIEM
ELEKTRYCZNYM I Z GRILLEM**



Item: 225707
229187
229194

You should read this user manual carefully before using the appliance

Bevor Sie das Gerät in Betrieb nehmen, sollten Sie diese Gebrauchsanweisung aufmerksam lesen

Przed uruchomieniem urządzenia należy koniecznie dokładnie przeczytać niniejszą instrukcję obsługi

Внимательно прочитайте руководство пользователя перед использованием прибора

Deklaracja Zgodności / Declaration of conformity

Hendi Polska oświadcza, na swoją wyłączną odpowiedzialność, że poniższe produkty: / Hendi Poland hereby declares under his own responsibility that the products:

Kod Produktu: **225707, 229187, 229194**
/Product number:

Nazwa Produktu: **Kuchnia gazowa 5-palnikowa Kitchen Line z konwekcyjnym piekarnikiem elektrycznym i z grillem / Gas cooker - 5 burners with electric oven**
/Product name:

Marka./Brand: **Hendi**

Spełnia wymagania zasadnicze określone w następujących dyrektywach: / Meets the essential requirements as described in:

2014/30/UE	Dyrektywa Parlamentu Europejskiego i Rady 2014/30/UE z dnia 26 lutego 2014 r. w sprawie harmonizacji ustawodawstw państw członkowskich odnoszących się do kompatybilności elektromagnetycznej
<i>2014/30/EU</i>	<i>DIRECTIVE 2014/30/EU OF THE EUROPEAN PARLIAMENT AND OF THE COUNCIL of 26 February 2014 on the harmonisation of the laws of the Member States relating to electromagnetic compatibility</i>
2011/65/UE	DYREKTYWA PARLAMENTU EUROPEJSKIEGO I RADY 2011/65/UE z dnia 8 czerwca 2011 r. w sprawie ograniczenia stosowania niektórych niebezpiecznych substancji w sprzęcie elektrycznym i elektronicznym
<i>2011/65/EU</i>	<i>DIRECTIVE 2011/65/EU OF THE EUROPEAN PARLIAMENT AND OF THE COUNCIL of 8 June 2011 on the restriction of the use of certain hazardous substances in electrical and electronic equipment</i>
2016/426/UE	ROZPORZĄDZENIE PARLAMENTU EUROPEJSKIEGO I RADY (UE) 2016/426 z dnia 9 marca 2016 r. w sprawie urządzeń spalających paliwa gazowe oraz uchylenia dyrektywy 2009/142/WE
<i>2016/426/EU</i>	<i>REGULATION (EU) 2016/426 OF THE EUROPEAN PARLIAMENT AND OF THE COUNCIL of 9 March 2016 on appliances burning gaseous fuels and repealing Directive 2009/142/EC</i>

Certyfikat gazowy: KIP-16172/G / Cert.number: KIP-16172/G

Jednostka notyfikowana nr 0476, Kiwa Cermet Italia S.p.A., Via cardiano 23, 40057 Granarolo dell'Emilia / Notified body: 0476, Kiwa Cermet Italia S.p.A., Via cardiano 23, 40057 Granarolo dell'Emilia

Urządzenie przeznaczone jest do pracy z następującymi grupami gazów: /The appliance is designed for following gas groups:

Group	mbar
H	20
E	20
E+	20/25

Group	mbar
L	25
LL	20
EK	25

Group	mbar
3+	28-30/37
B/P	30, 50
B	30, 50

Został zaprojektowany i wykonany zgodnie z normami zharmonizowanymi: / Has been engineered and manufactured in conformity to harmonized standards:

EN 60335-2-6:2015
EN 60335-2-102:2016
EN 60335-1:2012+A11:2014
EN 30-1-1:2008+A3:2013
EN 30-1-2:2012
EN 30-2-1:2015
EN 30-2-2:1999



Gądk,
01.10.2019

Maksymilian Kultys
Prezes Zarządu

Maksymilian Kultys
Prezes Zarząd/ CEO

HENDI Polska Sp. z o.o. (1)
ul. Magazynowa 5, 62-023 Gądk
Tel. +48 61 6587000
Fax +48 61 6587001
e-mail: info@hendi.pl www.hendi.pl
NIP PL 7792270344 REGON 300143173



READ MANUAL

Keep this manual with the appliance.
Diese Gebrauchsanweisung bitte beim Gerät aufbewahren.
Zachowaj instrukcję urządzenia.
Хранить руководство вместе с устройством.



INDOOR

For indoor use only.
Nur zur Verwendung im Innenbereich.
Do użytku wewnątrz pomieszczeń.
Использовать только в помещениях.



FOOD CONTACT



Dear Customer,

Thank you for purchasing this HENDI appliance. Before using the appliance for the first time, please read this manual carefully, paying particular attention to the safety regulations outlined below.

IMPORTANT SAFETY REGULATIONS

- This appliance is intended for commercial use only and must not be used for household use.
- The appliance must only be used for the purpose for which it was intended and designed. The manufacturer is not liable for any damage caused by incorrect operation and improper use.
- Keep the appliance and electrical plug away from water and any other liquids. In the event that the appliance should fall into water, immediately remove plug from the socket and do not use until the appliance has been checked by a certified technician. Failure to follow these instructions could cause a risk to lives.
- Never attempt to open the casing of the appliance yourself.
- Do not insert any objects in the casing of the appliance.
- Do not touch the plug with wet or damp hands.
- Danger of electric shock! Do not attempt to repair the appliance yourself. In case of malfunctions, repairs are to be conducted by qualified personnel only.
- Never use a damaged appliance! Disconnect the appliance from the electrical outlet and contact the retailer if it is damaged.
- Warning! Do not immerse the electrical parts of the appliance in water or other liquids. Never hold the appliance under running water.
- Regularly check the power plug and cord for any damage. If the power plug or power cord is damaged, it must be replaced by a service agent or similarly qualified persons in order to avoid danger or injury.
- Make sure the cord does not come in contact with sharp or hot objects and keep it away from open fire. To pull the plug out of the socket, always pull on the plug and not on the cord.
- Ensure that the cord (or extension cord) is positioned so that it will not cause a trip hazard.
- Always keep an eye on the appliance when in use.
- Warning! As long as the plug is in the socket the appliance is connected to the power source.
- Turn off the appliance before pulling the plug out of the socket.
- Never carry the appliance by the cord.

EN



- Do not use any extra devices that are not supplied along with the appliance.
- Only connect the appliance to an electrical outlet with the voltage and frequency mentioned on the appliance label.
- Connect the power plug to an easily accessible electrical outlet so that in case of emergency the appliance can be unplugged immediately. To completely switch off the appliance pull the power plug out of the electrical outlet.
- Always turn the appliance off before disconnecting the plug.
- Never use accessories other than those recommended by the manufacturer. Failure to do so could pose a safety risk to the user and could damage the appliance. Only use original parts and accessories.
- This appliance is not intended for use by persons (including children) with reduced physical, sensory or mental capabilities, or lack of experience and knowledge.
- This appliance must not be used by children under any circumstances.
- Keep the appliance and its cord out of reach of children.
- Always disconnect the appliance from the mains if it is left unattended or is not in use, and before assembly, disassembly or cleaning.
- Never leave the appliance unattended during use.

GENERAL WARNINGS

EN

Read the warnings in this handbook carefully, as they provide important instructions on installation, use and maintenance safety. Store this handbook carefully for further consultation. These instructions apply only to the destination countries whose identification symbols appear on the cover of this handbook and on the technical plates of the appliance.

All installation and adjustment operations must be carried out by qualified personnel, according to current legal regulations. Specific instructions are described in the notes for the installer. In particular, the devices involved must be sealed after every operation involving adjustment or adaptation to a different type of gas.

To ensure the appliance operates correctly, the kitchen in which the appliance is installed must be well ventilated (in this connection the installer must observe the current national installation norms and subsequent amendments) so that an

appropriate quantity of air is supplied for the gas combustion setting and for ventilating the room. The appliance must discharge the products of combustion into an appropriate hood, connected to a chimney, flue or directly to outside the building. If a hood cannot be installed, an electric fan – installed on a window or on a wall facing outside – is permitted. This fan should be made to operate simultaneously with the appliance, providing the indications (current national installation norms and subsequent amendments) for ventilating the kitchen are strictly observed.

This appliance was designed for use inside private homes for domestic and semiprofessional use.



FLUSH FITTING IN UNIT FURNITURE

The appliance can be installed as follows (Fig. 1):

- Stand-alone, away from other furniture (class 1);
- Fitted between two furniture units (class 2 – subclass 1).

In compliance with safety regulations, protection against possible contact with electrical parts and against overheating of furniture in contact with the appliance, must be ensured by correctly flush fitting the appliance.

May we remind you that, for layers in plastic or veneered wood in unit furniture, glues resisting a temperature of 120°C must be used. Plastics or glues of poorer quality not able to withstand this temperature value, will cause deformation and glue detachment.

Make absolutely sure that the rear of the appliance

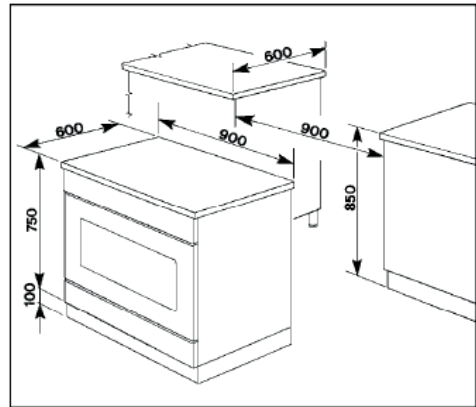


Fig. 1
always rests against non flammable walls.
Set the basement zone free.

INSTRUCTIONS FOR THE INSTALLER

General information - To install and use any electric appliance a few fundamental rules must be respected. This appliance must be installed by specialised personnel in accordance with the regulations in force. Any maintenance or adjustment intervention must be carried out with the appliance unplugged from the power source.

Warning: Gas cooking appliances produce heat and damp in the room where they are located.

An adequate airing of the room must be ensured by keeping every natural ventilation orifice open or by installing an inlet hood fitted with a waste pipe. Before switching on the oven for the first time, clean it with soap and water and then rinse it thoroughly. Assemble the lateral guides and insert any grids. Heat the oven for approximately 1 hour at maximum temperature so as to eliminate possible odours that may arise from thermal insulation or grease residue.

Place of installation - For the gas appliance to work correctly, the gas combustion must be supplied by enough air reaching the room in a nat-

ural way. (The installer must abide by the current national installation norms and subsequent amendments). The air circulating into the room must arrive directly from openings made in the external walls (Fig. a). Such openings must have a clear 100 cm² cross section area for the air flow and a 100 cm² one to discharge combusted gas. Should other gas operating appliances be installed, such openings must be appropriately enlarged. These openings must be located in such a way as not to be obstructed from either the inside or the outside. The opening allowing air circulation must be placed close to the ground, whilst the one used for the combustion discharge must be located on the high side of an external wall. Could not these openings be made in the same area where the appliance is installed, the amount of air needed could also come from an adjacent room, provided that this is not a bedroom nor a dangerous area and that it is appropriately ventilated (current national installation norms and subse-



quent amendments).

Discharge of combustion products - Gas type cooking appliances must discharge the combusted products through hoods connected to the chimney flue or directly to the outside.

The hood must be positioned at least 700 mm far from the working surface (Fig. b). Keep this distance also when installing components or shelves horizontally above the appliance. In case a hood could not be installed, an electric ventilation unit must be applied to the external part of the room or to a window, provided that the room is

fitted with openings for air circulation (the current national installation norms and subsequent amendments) - (Fig. c). The electric ventilation unit must ensure an air circulation rate equivalent to 3-5 times the volume of that room per hour.

Warning: an intense and prolonged use of the appliance may require additional aeration, which could be achieved opening a window or increasing the mechanical inlet power, where it exists, consequently improving the airing efficiency.

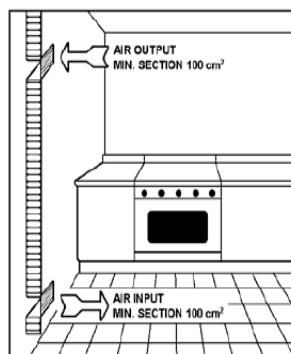


Fig. a

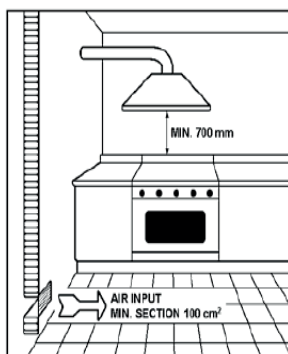


Fig. b

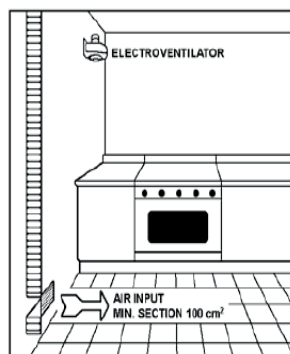


Fig. c

EN

Residual risks

- Keep away from the appliance unskilled personnel.
- With hot oven, open the door carefully in order to avoid violent hot fumes exit, that may cause burning.
- The appliance contains electrical parts and must never be washed with a jet of water or steam.
- To avoid wrong installation, the right gas connection is showed on a label that identifies the correct gas type to use.
- The appliance is electrically connected: before attempting any cleaning operation, cut power to the appliance.
- Do not use the door handle to move the appliance (the glass panel may break).
- The removable parts of the cooking top, after the cleaning operation, must be placed correctly in their housing in order to avoid anomalous and dangerous functioning of the burners.

GAS CONNECTION

Connect the appliance to a gas cylinder or mains gas pipe according to the prescriptions of standards (as per current national installation norms and subsequent amendments). To connect

gas, use an approved rigid metal pipe in copper or stainless-steel (the current national installation norms and subsequent amendments). The appliance is equipped with threaded GJ



1/2" pipes for gas inflow. Check if the appliance is designed to operate on the same type of gas as supplied and if pressure is set for that type of

gas. Otherwise, carry out the operations indicated in paragraph "ADAPTING TO DIFFERENT TYPES OF GAS".

IMPORTANT - Make sure that supply pressure matches the values indicated in the table

"Burner and nozzle characteristics" (tab.1-2).

If supply pressures do not match the values in the table, eliminate the cause of this, or inform the gas company and do not use the appliance. Connection with rigid or flexible metal pipes must not cause stresses to the appliance pipe ("train").

ELECTRIC CONNECTION

Before performing the electric connection, make sure that:

- the relief valve and the system can stand the appliance load (see data on the rating plate);
- THE SUPPLY SYSTEM IS EQUIPPED WITH AN APPROPRIATE GROUND CONNECTION IN ACCORDANCE WITH THE REGULATIONS IN FORCE;
- the omnipolar system used for the connection

can be easily reached with the appliance installed.

In the grid-connected mode, between the appliance and the grid an omnipolar switch must be inserted, having a 3 mm minimum opening between contacts, suitable to the load used and in accordance with the regulations in force. The yellow/green earth cable must not be interrupted by the switch.

EN

Connection of power cable

The terminal board is on the rear panel of the appliance. Open the terminal board cover by obtaining leverage with a screwdriver on the two side fins. Loosen the cable gripper screw and allow the cable to pass through it. Arrange the conductors so that the earth conductor is the last to detach from its terminal if the cable goes into a state of faulty traction.

Connect the phase conductor to the terminal marked with the letter "L", the neutral conductor to the terminal marked with the letter "N" and the earth conductor to the terminal marked with the symbol . Tighten the ring-nut of

the cable gripper and close the terminal board cover. The appliance must be connected to an equipotential system whose efficiency must first be checked according to current legal regulations. This connection must be made between different appliances by using the appropriate terminal marked with the symbol . The equipotential conductor must have a minimum diameter of 10 mm² The equipotential terminal is at the rear of the appliance. When the appliance is operating, the supplied voltage must not deviate from the nominal voltage value of $\pm 10\%$.

Power cable diameter = 3x1.5 mm²

Type of power cable = H07RN-F



Safety device - The appliance is supplied with a manually resetting thermal breaker to protect against excessive, dangerous temperatures which could be accidentally generated inside the

oven. If tripped, the device cuts out electrical power to the appliance. To access this device, remove the panel at the rear of the appliance.

ADAPTING COOK-TOP TO DIFFERENT TYPES OF GAS

To adapt the hob to a type of gas that differs from the one tested in the factory (see data plate or supplementary plate), replace the nozzles of the five burners. Remove the pan carrier grilles from the hob and withdraw the movable parts of the burners from their seats:

- Remove the pot support grids from the cook-top and remove the mobile parts of the burners from their position.

- Unscrew the jets (Fig. 2) using the 7 mm. Key and replace them with the new ones (see table 1). Check the exact correspondence of the diameter indicated on the table with that printed on the jets. After having replaced the jets, set up all the parts again and stick the new data on the technical data plate.

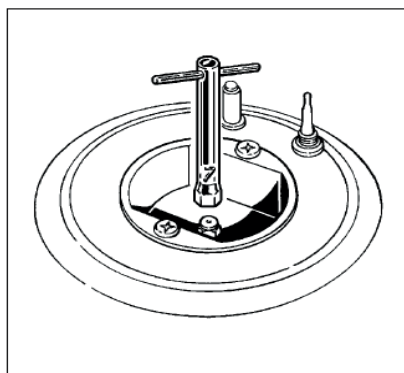


Fig. 2

N.B. The burners don't need any air regulation.

Minimum level adjustment - Burner minimum levels are preset for methane gas (G20) operation. If operating on liquid gas (G30/G31) proceed as follows: ignite the burner at minimum position, and, using a screwdriver, fully tighten the by-pass adjustment screw at the side of the shank of the relevant tap. Check if the

flame remains stable and uniform – to help you check, rapidly turn the tap knob from maximum to minimum position. When you have finished adjusting the by-pass valve, seal it with red paint. Make sure you fit a plate with the new installation data. After having set the by-pass screw, seal it with red varnish.

Gas pressure (mbar)			
Type of gas	Normal	Max.	Min.
G30	30	35	20
G31	37	45	25
G20	20	25	17

	Nominal thermal capacity (kW)	Reduced thermal capacity (kW)	Main nozzles diameter (1/100 mm)		By-pass screw nozzles diameter (1/100 mm)		Consumption calculated with gross heat values		
			G30/G31 30/37mbar	G20 20mbar	G30/G31 30/37mbar	G20 20mbar	G30 30mbar (g/h)	G31 37mbar (g/h)	G20 20mbar (l/h)
Triple crown burner Nr. 1	3.5	1.8	95	135	74	Regul.	255	250	334
Fast burner Nr. 3	3	0.95	85	115	50	Regul.	218	214	286
Semi-fast burner Nr. 1	1.75	0.6	65	97	40	Regul.	127	125	167

Tab. 1

INSTRUCTIONS FOR USE

COOK-TOP

- Cook-top control panel and use - On the control panel, 4 empty and one fully coloured circles are placed next to each gas cock knob of the cook-top (Fig. 6). The fully coloured one indicates the

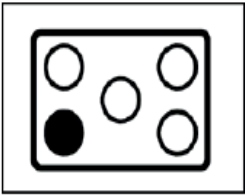


Fig. 6

position of the gas burner that is commanded by position desired.

Should the flame die-out, the safety thermocouple "B" will intervene automatically and close the gas cock, thus blocking the gas flow to the respective burner.

To re-ignite the burner, turn the knob to the • [off] position and repeat the ignition

The various positions of the gas cock knob are indicated as follows:

- position off
- position for maximum (large flame/ignition spark)
- position for minimum (small flame)

the knob in question. Electric lighting of the burners with safety device - The cook-top is equipped with electric ignition of the burners by means of spark plug "A" (Fig. 7). The spark plug operates when the pushbutton on the control panel is pressed. This button is marked by symbol (spark). To ignite the burner press the electric ignition push-button and, at the same time, press and turn in an anticlockwise sense the knob of the burner that is to be started to the symbol (large flame/ignition spark). Release the electric ignition push-button once the flame has appeared and keep the gas cock knob pressed for about 6 - 8 sec., so as to let the safety thermocouple "B" heat-up. Release the knob and turn it to the

operations after having waited for approximately 1 minute. Each burner can operate at either maximum or minimum level or at intermediate levels by setting the knob anywhere between the maximum and minimum positions.



Warning - The pots used on the cook-top burners should not have a concave or convex base

but rather, a full base (Fig. 8). They should have the following minimum diameter:

- 180 mm for the 'semi-fast' burner (front right burner);
- 220 mm for the 'fast' burner (back left-right burner; front left);
- 240 mm for the 'triple crown' burner (central burner).

The semi-fast burner is equipped with a reduction grid onto which a container can be located, having a 120 mm or smaller diameter.

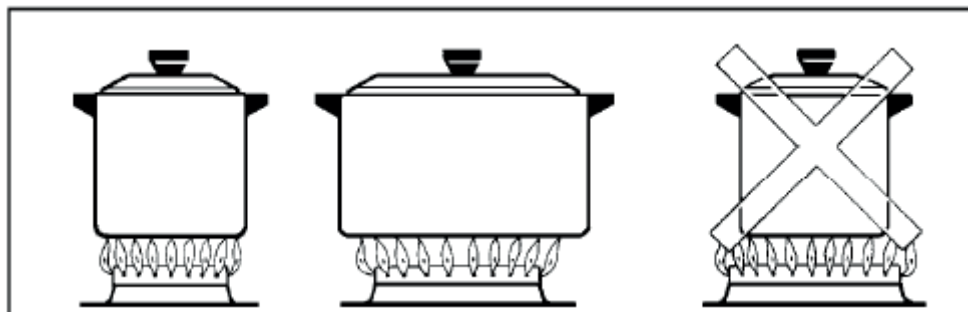


Fig. 8

EN

We advise against the long use of grill and plate for similar cooking way. During the functioning of burners, they could overheat the

panrest grill by damaging the protecting enamel in irreparable way.

OVEN

- Oven control panel and use

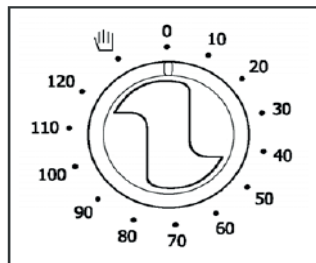


Fig. 9

PROGRAMMING KNOB

(Fig. 9)

It functions as interrupter and allows the functioning of the appliance.

Key to symbols

 = Manual operation



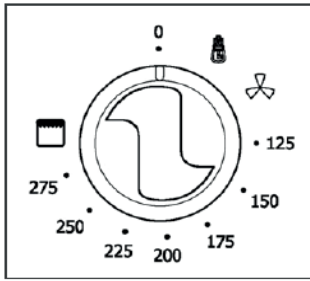


Fig. 10

**FUNCTIONS
SELECTOR/THERMOSTAT KNOB**
(Fig. 10)
Selects the type of heating most suitable for different cooking requirements and sets temperature inside the cooking compartment to the value you require.

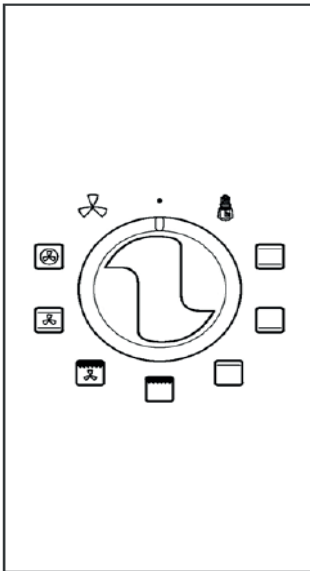
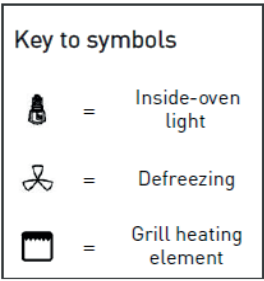
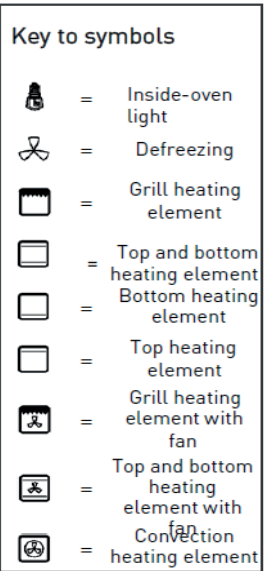


Fig. 11

FUNCTIONS SELECTOR KNOB
(Fig. 11)
Selects the type of heating most suitable for different cooking requirements.



EN

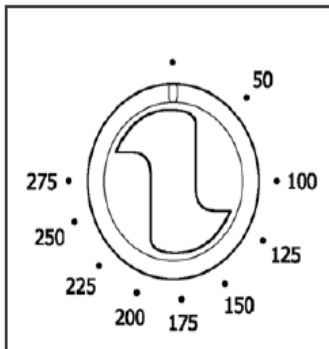


Fig. 12

THERMOSTAT KNOB
(Fig. 12)
Sets temperature inside the cooking compartment to the value you require.



“COOKING TIME” PROGRAMMER

- Semi-automatic operation - Programmable time is up to 120'. Turn the programmer knob to the cooking time you require – as from now, the program is in operation. When cooking time has elapsed, the appliance is switched off automatically.

- Manual operation - You can also use the appliance without selecting cooking time. Just turn the programmer knob to the (manual) position.

- Oven thermostat indicator-light - This light goes off whenever the oven reaches the selected temperature, and lights up when the thermostat operates to re-establish that temperature.

- Inside-oven light - The inside light is always ON when the oven is operating. For normal cleaning jobs, while the oven is off, turn the selector knob to position .

COOKING IN THE OVEN

- For cooking, warm the oven to the required temperature before placing foods inside. When the oven has reached the temperature, place foods inside and check

cooking time. Turn off the oven 5 minutes before theoretical time elapses, in order to use stored heat.

EXAMPLES OF COOKING STARTING WITH A HOT OVEN

- Temperatures and times are only a guideline, because quality and volume of foods can vary. Therefore, we advise you to modify

oven temperature while cooking, if necessary, and to use pans suitable for in-oven cooking.

DISHES	Temperature (°C)	Time (minutes)
Stuffed cannelloni	160	20
Egg flan	200	25
Lasagne in the oven	170	50
Macaroni pie	180	45
Creole style rice	190	22
Roast lamb	200	90
Duck	100	220
Roast pork	200	110
Beef stew	220	180
Roast chicken	200	100
Fish in general (½ Kg)	200	20
Peach tart	180	60
Chocolate gateau	200	40
Apple pie	180	55
Paradise gateau	180	50
Choux pastry	200	20
(doughnuts) Strudel (1 st stage)	200	20
Strudel (2 nd stage)	180	45



How to use the grill

- The door must stay closed while the grill is being used. Put a little oil on the meat or fish to be cooked and always place them on the grill – put the grill in the guides nearest or furthest from the grill heating element depending on the thickness of the meat, in order to avoid burning the meat surface

while cooking the inside insufficiently. If you pour 1 or 2 glasses of water in the hollow of the “gravy drip-tray”, this will prevent fumes due to drops of gravies and fat. When cooking, always put the “gravy drip-tray” on the 1st guide from the bottom.

Convection cooking - Turn the selector knob (Fig. 10) in line with the required temperature.

Cooking on the grill - Turn the selector knob to symbol . The grill will only operate if the door is closed.

Defreezing - Turn the selector knob in line with symbol.

Traditional cooking - Turn on the appliance. Turn the selector knobs (Fig. 11) to symbol and by the thermostat (Fig. 12) to the required tem-

perature. If you want a different temperature at the top or bottom, turn the selector knob in line with the symbol or .

Cooking on the grill - Turn on the appliance. Turn the selector knob to symbol and the thermostat knob in line with the required temperature.

Cooking on the ventilated grill - Turn on the appliance. Turn the selector knob to symbol and the thermostat knob in line with the required

temperature. Grill cooking must be done with the oven door closed.

Traditional ventilated cooking - Turn on the appliance. Turn the selector knob to symbol and the thermostat knob in line with the required temperature.

Convection cooking - Turn on the appliance. Turn the selector knob to symbol and the thermostat knob in line with the required temperature.

Defreezing - Turn on the appliance. Turn the selector knob to symbol and the thermostat knob in line with “off” (●).



CLEANING AND MAINTENANCE

ATTENTION! Before any operation disconnect the electric supply, verify that the gas tap is closed and eventually that the appliance has cool down.

COOK-TOP

Wash grilles with water and liquid detergents. Wash the flame-traps and flametrap caps frequently with water and liquid detergents, taking care to remove any deposits. Dry

the caps thoroughly and check if the flame trap holes are obstructed. Frequently clean the terminal sections of the electrical ignition plugs.

COOK-TOP / OVEN

The enamelled and stainless steel parts have to be washed with lukewarm soaped water and dried with a soft cloth. In case of resistant spots use normal

detergents (not abrasive) or some warm vinegar. The brightness of the stainless steel can be maintained by using specific products available in the market.

OVEN

For food hygiene reasons and to grant the correct functionality of the oven it is recommended to clean the cooking chamber at the end of every working day; this will make residual removal easier and will avoid their burning

with next operation. Wash the inside of the over while still slightly warm, using hot water and soap, rinsing and drying carefully. Remove the side guides to facilitate cleaning operations.

Oven door

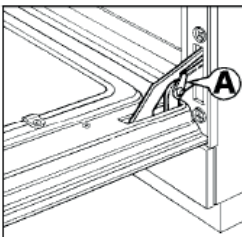


Fig. 13

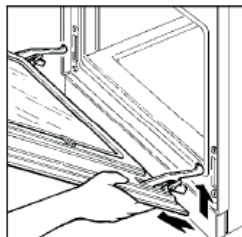


Fig. 14

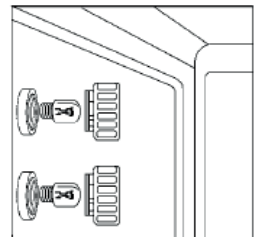


Fig. 15

- To clean the oven door thoroughly, proceed as follows:
- fully open the door;

- hook the rings "A" onto the hinge seats (Fig. 13);
- lift the door gently and withdraw it (Fig. 14).



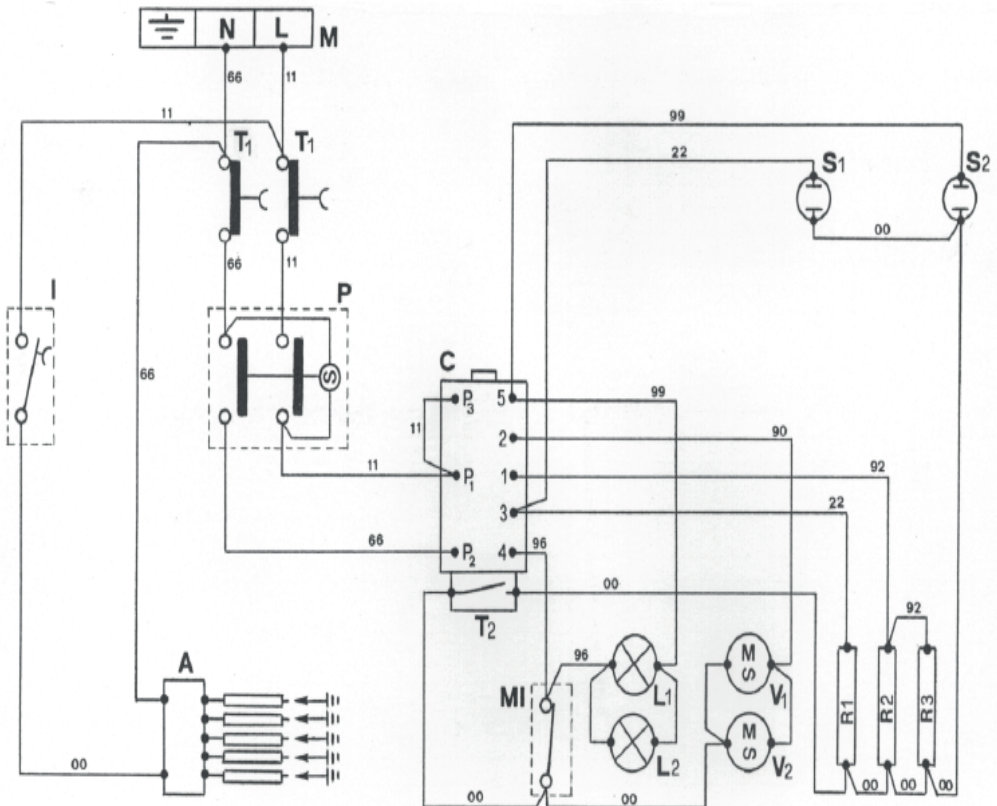
Replacing oven lamp

- Electrically switch off the appliance.
- Unscrew the protective cap in glass (Fig. 15);
- Unscrew the lamp and replace it with another lamp suitable for high temperatures (300°C)
- Refit the glass cap and power up the appliance.

with the following characteristics:
Voltage: 230/240 V
Power: 15 W
Fitting: E 14

IMPORTANT - At least once a year, arrange for a qualified technician to inspect the appliances, with special reference to gas and electrical connections. The manufacturer declines any liability for direct or indirect damage caused by incorrect use, poor installation, maintenance or anything else specified in our sales conditions.

WIRING LAYOUT



M	Power terminal board	V1-V2	Radial motoventilators
T1	Safety thermostat	R2-R3	Circular heating elements 1200W
T2	Control thermostat	R1	Grill heating element 2500W
AI	A.T. ignition device	00	Black wire
MI	Push-button switch	11	Brown wire
P	Door microswitch	22	Red wire
C	"End of cooking" programmer Selector for multifunction	66	Blue wire
L1-L2	Oven lamps	90	White/Black wire
S1	Grill indicator light	92	White/Red wire
S2	Thermostat indicator light	96	White/Blue wire
		99	White wire

TECHNICAL ASSISTANCE AND ORIGINAL SPARE PARTS

Before leaving the factory, this appliance was tested and set up by expert, specialised personnel, to ensure best operating results. Any eventual assistance or regulation must be done with maximal care and attention, using original spare parts.

For this reason it is necessary to apply to the dis-

tributor that has done the sale, specifying the type of inconvenience and model of the appliance purchased. The required parts for different gas type adaptation are available along with the appliance at the moment of sale or delivery.

WARRANTY

Any defect affecting the functionality of the appliance that becomes apparent within one year after purchase will be corrected by free repair or replacement provided the appliance has been used and maintained in accordance with the instructions and has not been abused or misused in any way. Your statutory rights are not affected. If the appliance is claimed under warranty, state where and

when it was bought and include proof of purchase (f.e. receipt).

In line with our policy of continuous product development we reserve the right to change the product, packaging and documentation specifications without notice.

DISCARDING & ENVIRONMENT

When decommissioning the appliance, the product must not be disposed of with other household waste. Instead, it is your responsibility to dispose of your waste equipment by handing it over to a designated collection point. Failure to follow this rule may be penalized in accordance with applicable regulations on waste disposal. The separate collection and recycling of your waste equipment at the time of disposal will help conserve natural re-

sources and ensure that it is recycled in a manner that protects human health and the environment. For more information about where you can drop off your waste for recycling, please contact your local waste collection company. The manufacturers and importers do not take responsibility for recycling, treatment and ecological disposal, either directly or through a public system.



Sehr geehrte Kundin, sehr geehrter Kunde,

wir danken Ihnen für den Kauf des Gerätes Hendi. Machen Sie sich bitte mit dieser Anleitung noch vor der Inbetriebnahme des Gerätes vertraut, um Schäden durch die unsachgemäße Bedienung zu vermeiden. Den Sicherheitsregeln ist besondere Aufmerksamkeit zu widmen.

Sicherheitsregeln

- Die unsachgemäße Bedienung des Geräts kann zur schweren Beschädigung des Geräts sowie zu Verletzungen führen.
- Das vorliegende Gerät ist ausschließlich für den gewerblichen Gebrauch bestimmt und darf nicht im Haushalt verwendet werden.
- Das Gerät ist ausschließlich zu dem Zweck zu benutzen, zu dem es hergestellt wurde. Der Hersteller haftet nicht für Schäden, die auf unsachgemäße Bedienung des Geräts zurückzuführen sind.
- Den Kontakt des Gerätes und des Steckers mit Wasser oder einer anderen Flüssigkeit vermeiden. Den Stecker unverzüglich aus dem Stecker ziehen und das Gerät von einem anerkannten Fachmann prüfen lassen, wenn das Gerät unbeabsichtigterweise ins Wasser fällt. Bei Nichteinhaltung dieser Sicherheitsvorschriften besteht Lebensgefahr.
- Nie eigenständig das Gehäuse des Gerätes zu öffnen versuchen.
- In das Gehäuse des Gerätes keine Gegenstände einführen.
- Den Stecker nicht mit nassen oder feuchten Händen berühren.
- Gefahr eines Stromschlags! Das Gerät darf nicht selbstständig repariert werden. Sämtliche Mängel und Unzulänglichkeiten sind ausschließlich durch qualifiziertes Personal zu beseitigen.
- Niemals ein beschädigtes Gerät benutzen! Das beschädigte Gerät vom Netz trennen und sich mit dem Verkäufer in Verbindung setzen.
- Warnung: Die Elektroteile des Gerätes dürfen weder in Wasser noch in andere Flüssigkeiten getaucht werden. Ebenso ist das Gerät nicht unter fließendes Wasser zu halten.
- Der Stecker und die Stromversorgungsleitung sind regelmäßig auf Beschädigungen zu prüfen. Der beschädigte Stecker oder Leitung sind an eine Servicestelle oder einer anderen qualifizierten Person zur Reparatur zu übergeben, um eventuellen Gefahren und Verletzungen des Körpers vorzubeugen.
- Man muss sich davon überzeugen, ob die Stromversorgungsleitung weder mit scharfkantigen noch mit heißen Gegenständen in Berührung kommt; halten Sie die Leitung weit entfernt von einer offenen Flamme. Um den Stecker aus der Netzsteckdose zu nehmen, muss man immer am Stecker und nicht an der Leitung ziehen.

DE



- Die Stromversorgungsleitung (oder Verlängerungsleitung) ist vor dem zufälligen Herausziehen aus der Steckdose zu schützen. Die Stromversorgungsleitung muss so geführt werden, dass niemand zufällig darüber stolpern kann.
- Das Gerät muss während seiner Anwendung ständig kontrolliert werden.
- Warnung! Wenn der Stecker in der Netzsteckdose ist, muss man das Gerät als an die Stromversorgung angeschlossen betrachten.
- Bevor der Stecker aus der Netzsteckdose genommen wird, ist das Gerät auszuschalten.
- Das Gerät darf beim Tragen nicht an der Leitung gehalten werden.
- Benutzen Sie kein Zubehör, das nicht mit diesem Gerät mitgeliefert wurde.
- Das Gerät muss man ausschließlich an die Steckdose mit solcher Spannung und Frequenz anschließen, wie auf dem Typenschild angegeben wird.
- Stecken Sie den Stecker in die Steckdose, die an einem leicht und bequem zugänglichen Ort angeordnet ist, und zwar so, dass das Gerät bei einer Störung sofort abgeschaltet werden kann. Um das Gerät vollständig auszuschalten, muss man es von der Stromquelle trennen. Zu diesem Zweck muss man den Stecker, der sich am Ende der vom Gerät getrennten Leitung befindetet, aus der Netzsteckdose ziehen.
- Vor dem Abtrennen des Steckers ist das Gerät auszuschalten!
- Benutzen Sie kein Zubehör, das nicht vom Hersteller empfohlen wird. Die Anwendung vom nicht empfohlenen Zubehör stellt eine Gefahr für den Nutzer dar und kann zur Beschädigung des Gerätes führen. Benutzen Sie ausschließlich Ersatzteile und Zubehör im Original.
- Dieses Gerät eignet sich nicht für den Gebrauch durch Personen (gilt auch für Kinder) mit geringerer Motorik, Sensorik oder geistiger Fähigkeit oder mangelhafter Erfahrung und Wissen.
- Auf keinen Fall darf das Bedienen des Gerätes durch Kinder zugelassen werden.
- Das Gerät mit Stromversorgungsleitung ist außerhalb der Reichweite von Kindern zu lagern.
- Ebenso muss dafür gesorgt werden, dass die Kinder das Gerät nicht zum Spielen benutzen.
- Das Gerät ist immer dann von der Stromversorgung zu trennen, wenn es ohne Aufsicht bleiben soll bzw. auch vor der Montage, Demontage und Reinigung.
- Während der Nutzung darf das Gerät nicht ohne Aufsicht gelassen werden.



ALLGEMEINE HINWEISE

- Lesen Sie aufmerksam die in diesem Heft enthaltenen Hinweise bezüglich wichtiger Anweisungen zur Sicherheit der Installation, des Gebrauches und der Instandhaltung. Bewahren Sie dieses Heft sorgfältig zu weiterem Nachschlagen auf. Diese Anweisungen sind nur für die Bestimmungsländer gültig, dessen Kennzeichnung auf der Umschlagseite des Heftes und auf den technischen Schildern des Gerätes angebracht sind.

- Alle Eingriffe bezüglich Installation und vorzunehmender Einstellungen sind nach den gültigen Normen von qualifiziertem Person durchzuführen. Spezifische Anweisungen sind in den für Installateure vorbehaltenen Anmerkungen beschrieben. Nach jeder Einstellung oder jedem Anschluss an einen anderen Gastyp, ist eine Versiegelung der jew. Apparatur notwendig.

- Für eine reguläre Funktionstüchtigkeit des Gerätes ist eine gute Belüftung des Küchenraumes, wo die Vorrichtung installiert wurde, unbedingt zu gewährleisten (diesbezüglich hat der Installateur

die gültigen nationalen Vorschriften und späteren Änderungen zu befolgen), so dass die Menge an Luft zuströmen kann, die zur Regulation der Verbrennung und zur Belüftung des Raumes erforderlich ist.

- Das Gerät muss die Verbrennungsprodukte in eine entsprechende Abzugshabe ableiten, das mit einem Schornstein, Rauchabzug oder direkt mit dem Äußeren verbunden ist. Falls die Installation einer Abzugshaube nicht möglich ist, ist der Gebrauch eines Elektrolüfter erlaubt, der am Fenster oder an der Außenwand installiert wird und unter ausdrücklicher Einhaltung der Anweisungen zur Belüftung des Küchenraumes (der Installateur hat die gültigen nationalen Vorschriften und späteren Änderungen zu befolgen) immer gleichzeitig mit des Gerätes in Betrieb zu setzen ist.

- Dieses Gerät wurde für die Anwendung in Innenräumen von Wohngebäuden, zum Hausund halbprofessionellen Gebrauch entwickelt.

DE

EINSETZEN IN EINBAUMÖBEL

Das Gerät lässt sich wie folgt installieren (Abb. 1):

- separat von den Möbeln (Klasse 1);
- zwischen zwei Möbelstücken (Klasse 2-Unterklasse 1).

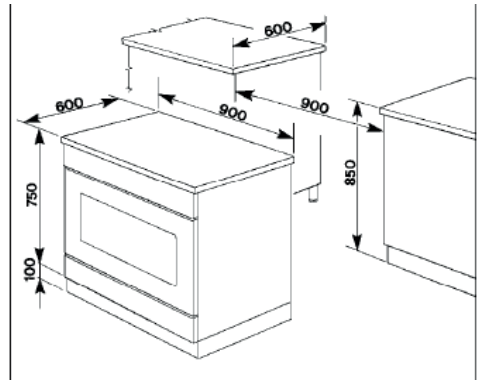
In Übereinstimmung mit den Sicherheitsvorschriften

muss der Schutz gegen mögliches Berühren der elektrischen Teile und gegen Überhitzung umliegender Möbel durch das korrekte Einbauen gewährleistet sein.

Wir machen darauf aufmerksam, dass Kunststoffbeschichtungen und Furnierholz mit Klebstoffen verarbeitet sein müssen, die gegen Temperaturen von 120°C fest sind.

Kunststoffmaterialien oder Klebstoffe mit minderwertigen Eigenschaften, bzw. nicht absolut hitzefest, sind die Ursache von Verformungen und Ablösen

Abb 1



Besonders zu beachten ist, dass das Gerät in jedem Fall an der Rückseite stets gegen nicht

entzündliche Wände steht. Den Bereich unter dem Untergestell des Geräts frei lassen.

ANWEISUNGEN FÜR DEN INSTALLATEUR

Sehr geehrte Kunden, Sie haben sich für eines unserer Produkte entschieden. Für die von Ihnen getroffene Wahl danken wir Ihnen. Die nachfolgenden Hinweise und Empfehlungen

erläutern die Schritte einer korrekten Installation, des Gebrauches und der Instandhaltung, zum Schutz Ihrer Sicherheit und zu einer bestmöglichen Nutzung des Gerätes.

Allgemeine Anmerkungen

Die Installation und der Gebrauch eines jeden elektrischen

Haushaltsgeräts verlangen die Einhaltung einiger grundlegender Normen. Das Gerät darf nur von spezialisiertem Personal und nach den rechtsgültigen Normen installiert werden. Jegliche Vorgänge der Instandhaltung und Einstellung des Gerätes dürfen nur bei spannungsfreiem Gerät durchgeführt werden.

Hinweis: Der Gebrauch einer Kochvorrichtung mit Gas erzeugt Hitze und Feuchtigkeit im Raum, wo die Vorrichtung installiert wurde. Um eine gute

Luftzirkulation im Raum zu gewährleisten, halten Sie stets eine natürlichen Belüftung aufrecht oder installieren Sie eine Absaughaube mit einer Ablaufleitung. Vor erstmaligem Einschalten des Backofens ihn mit Wasser und Spülmittel reinigen und sorgfältig nachspülen. Die seitlichen Führungen anbringen und mögliche Roste einsetzen. Anschließend den Ofen auf maximale Temperatur ca. 2 Stunden eingeschaltet lassen, um so möglichen Geruch durch Wärmeisolierung und Rückstände von bei der Herstellung verwendetem Fett zu entfernen.

DE

Installationsort

Für eine gute Funktionstüchtigkeit des mit Gas arbeitenden Gerätes ist eine natürliche Belüftung zur Gasverbrennung notwendig. (Der Installateur hat die gültigen nationalen Vorschriften und späteren Änderungen zu befolgen). Die Luftzufuhr des Raumes muss direkt durch eine Öffnung zur Außenwand erfolgen (Abb. a). Diese Öffnungen müssen einen freien Strömungsquerschnitt von mindestens 100 cm² zur Luftzufuhr, und mindestens 100 cm² zum Abgang des verbrannten Gases aufweisen. Falls andere mit Gas gespeiste Vorrichtungen installiert werden sollten, muss der Strömungsquerschnitt in entsprechender Weise erhöht werden. Die Öffnungen müssen so

angebracht werden, dass sie weder von innen noch von außen verstopft werden, die für die Luftzuleitung vorzugsweise in Fußbodennähe und die für die Entleerung der Verbrennungsprodukte oben an einer Außenmauer. Falls dies im Raum der installierten Apparatur nicht machbar ist, kann die notwendige Luft von einem angrenzenden Raum kommen, unter der Bedingung, dass es sich hier nicht um ein Schlafzimmer oder um einen gefährlichen Raum handelt, und dass eine geforderte Belüftung gewährleistet werden kann (der Installateur hat die gültigen nationalen Vorschriften und späteren Änderungen zu befolgen).



Abgang der Verbrennungsprodukte

- Von den Gaskochvorrichtungen müssen die Verbrennungsprodukte über eine Abzugshaube direkt zu einem Rauchabzugsrohr oder direkt nach Außen abgeleitet werden. Die Haube muss in einem Abstand von der Arbeitsfläche nicht unter 700 mm angebracht werden (Abb. b). Diesen Mindestabstand auch für Möbelemente oder Regale beachten, die horizontal über dem Gerät installiert werden. Falls die Installation einer Abzugshaube nicht möglich ist, ist die Benutzung eines nach Außen oder zum Fenster des Raumes verbundenen Elektrolüfters notwendig. Es gilt jedoch die Bedingung, dass im Raum

Öffnungen zur Luftzufuhr existieren (der Installateur hat die gültigen nationalen Vorschriften und späteren Änderungen zu befolgen) - (Abb. c). Dieser Elektrolüfter muss eine Leistung haben, die einen volumenmäßig 3-5 mal stärkeren stündlichen Luftaustausch des zu belüftenden Raumes garantiert. Hinweis: Ein intensiver und längerer Gebrauch des Gerätes kann eine zusätzlich Lüftung, z.B. ein geöffnetes Fenster oder eine wirkungsvollere Belüftung mit Hilfe eines leistungsfähigeren mechanischen Ansaugers erfordern.

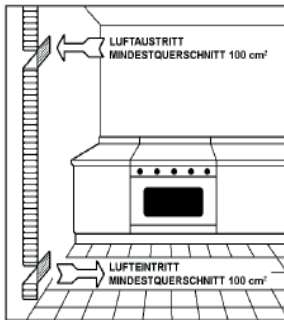


Abb. a

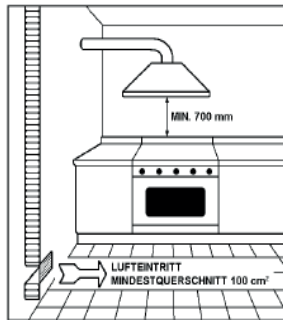


Abb. b

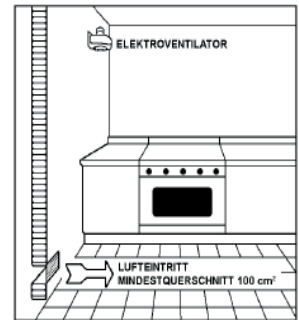


Abb. c

DE

Restrisiken

- Personal, das für die Bedienung nicht geschult ist, fern vom Gerät halten.
- Die Tür vorsichtig öffnen, wenn der Ofen heiß ist, um ein starkes Austreten von Wärme zu vermeiden, die Verbrennungen verursachen könnte.
- Das Gerät ist mit elektrischen Teilen ausgestattet und darf niemals mit Wasserstrahl oder Dampf gereinigt werden.
- Um zu vermeiden, dass das Gerät falsch angeschlossen wird, ist der Gasanschluss mit einem Schildchen gekennzeichnet, das den zu benutzenden Gastyp angibt.
- Das Gerät ist elektrisch angeschlossen: vor Reinigungsarbeiten immer die elektrische Versorgung unterbrechen.
- Den Türgriff nicht zum Transportieren des Geräts verwenden (möglicher Bruch des Glases).
- Die Brennerteile, die von der Fläche entfernt werden können (Flammverteiler, Flammverteilerdeckel, gelochte Ringe) müssen nach einer eventuellen Reinigung wieder korrekt in ihrem Sitz angebracht werden; man verhindert so einen schlechten und gefährlichen Betrieb (Störungen) der Brenner.



Gasanschluss

Der Anschluss des Gerätes an die Gasflasche oder an das Ferngas erfolgt entsprechend der Vorschriften der Normen (der Installateur hat die gültigen nationalen Vorschriften und späteren Änderungen zu befolgen). Der Gasanschluss muss aus einem festen Kupfermetallrohr oder typengeprüften rostfreiem Stahl (der Installateur hat die gültigen nationalen Vorschriften und späteren Änderungen zu befolgen) sein. Für die

Gaszuleitung des Gerätes sind gewindete Leitungen GJ ½" vorgeschrieben. Es ist zu kontrollieren, dass das Gerät für den Betrieb mit der vorhandenen Gasversorgung übereinstimmt und dass der Druck für den Gastyp eingestellt ist, mit dem er gespeist wird; Andernfalls sind die im Abschnitt "ANSCHLUSS AN VERSCHIEDENE GASTYPEN" beschriebenen Vorgänge auszuführen.

WICHTIG Versichern Sie sich, dass der Druck der Gaszufuhr nach seinem angegebenen

Wert der Tabelle "Kennwerte der Brenner und Düsen"(Tab. 1-2) eingehalten wird.

Wenn der Versorgungsdruck nicht der Tabelle entspricht, ist es erforderlich, die Ursache zu beseitigen oder die Gasfirma zu benachrichtigen, dabei von einem Gebrauch des Gerätes

absehen. Der Anschluss an starre oder flexible Metallrohre darf keine Beanspruchung des Leitungsnetzes des Gerätes ("Rampe") verursachen.

ELEKTRISCHER ANSCHLUSS

Vor dem Anschluss an die elektrische Leitung, ist wie folgt sicherzustellen:

- Differentialschalter und Anlage können der Gerätelast standhalten (siehe Daten Geräteschild);
- DIE STROMVERSORGUNG VERFÜGT ÜBER EINE LEISTUNGSSTARKE, DEN GÜLTIGEN VORSCHRIFTEN ENTSPRECHENDE ERDUNG;
- Der für den Anschluss benutzte rundgepolte Schalter ist bei installiertem Gerät leicht

zugänglich.

Bei einem direkten Anschluss an das Netz ist ein den rechtskräftigen Normen entsprechender rundgepolter Schalter mit einer Mindestöffnung von 3mm zwischen den Kontakten zwischen Gerät und Leitung zu installieren, zu bemessen entsprechend der Last sowie gemäß der gültigen Vorschriften. Das Erdungskabel gelb/grün darf nicht vom Schalter unterbrochen werden.

Anschluss des Versorgungskabels

Das Klemmenbrett befindet sich auf der Geräterückseite. Den Klemmenbrettdeckel öffnen, indem mit einem Schraubenzieher an den zwei seitlichen Flügeln angehoben wird. Die Schraube des Kabelhalters lockern und das Kabel durchführen. Die Kabel so anbringen, dass der

Erdleiter, falls an ihm gezogen wird, als letzter aus seiner Klemme herausgeht.

Den Phasenleiter an der Klemme mit der Markierung "L", den Nullleiter an der Klemme mit der Markierung "N" und den Erdleiter an der mit dem Symbol gekennzeichneten Klemme



anschließen. Die Nutmutter des Kabelhalters festschrauben und den Klemmenbrettdeckel schließen. Das Gerät muss an ein Äquipotentialsystem angeschlossen werden, dessen Wirksamkeit gemäß den gültigen Vorschriften überprüft werden muss. Dieser Anschluss muss zwischen verschiedenen Geräten über die dazu

vorgesehene Klemme mit dem Symbol ausgeführt werden. Der Äquipotentialleiter muss einen Mindestquerschnitt von 10 mm² haben. Die Äquipotentialklemme befindet sich auf der Rückseite des Geräts. Die Versorgungsspannung darf bei in Betrieb stehendem Gerät nicht mehr als ±10% von der Nennspannung abweichen.

Versorgungsspannung (V-) = 220 – 230

Kabeldurchschnitt = 3x1,5 mm²

Typ des Versorgungskabels = H07RN-F

Sicherheitsvorrichtung - Das Gerät verfügt über einen Wärmeunterbrecher mit manueller Wiederbewehrung. Dieser gewährleistet den Schutz gegen zu starke und gefährliche Übertemperaturen, die unbeabsichtigt im Backmöglich

ofen entstehen können. Sollte dieser Fall eintreten, so schaltet sich diese Vorrichtung ein und unterbricht die Stromversorgung des Gerätes. Der Zugriff auf die Vorrichtung ist durch Abnehmen der hinteren Geräteabdeckung

ANPASSEN DES KOCHFELDES AN ANDERE GASTYPEN

DE

Um das Kochfeld an von den Abnahmeprüfungen abweichende Gastypen (siehe Geräteschild oder ergänzende Kennzeichnung) anzupassen, muss man die Düsen der fünf Brenner:

- Die Topfaufsatz-Roste vom Kochfeld und die beweglichen Teile der Brenner entfernen.
- Mit dem 7 mm dazu geeigneten Schlüssel

die Düsen „A“ (Abb. 2) aufschrauben und sie mit neuen gasprüeften Düsen ersetzen (siehe Tabelle 1). Auf die Tabelle den korrekten Durchmesser, der auf die Düsen gedruckt wird, kontrollieren. Nach den Ersatz der Düsen die gerade abmortierten Teile wieder zusammensetzen und darauf die neue Daten auf dem „Technische Daten“ Schild kleben.

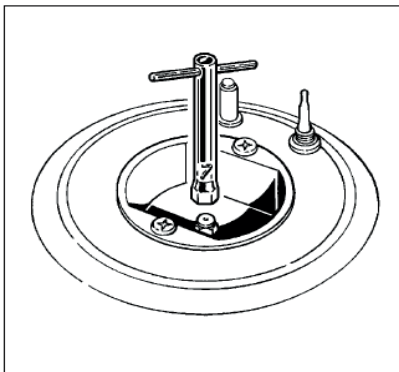


Abb. 2

N.B. Die Brenner brauchen keine Luftregulation.

Mindesteinstellung - Für den Betrieb mit Methan (G20) sind die Brenner bereits eingestellt. Für den Betrieb mit Flüssiggas (G30/G31) ist wie folgt vorzugehen: Der Brenner mit Mindestleistung anzünden und mit einem geeigneten Schraubenzieher die Bypass-Einstellschraube, die sich an seitlich des Schaft des jeweiligen Hahns befindet, vollständig

festziehen. Prüfen Sie, dass die Flamme stabil und gleichmäßig bleibt, auch wenn der Drehknopf des Hahns von der maximalen zur minimalen Schalterstellung gedreht wird. Nach erfolgtem Einstellen der Bypass-Schraube sie mit etwas rotem Lack versiegeln.

Tabelle 1

Zuleitungsdruck in mbar			
Gasttyp	Betrieb	Max.	Min.
G30	50	57,5	42,5
G31	50	57,5	42,5
G20	20	25	17
G25	20	25	17

	Nennwärmedurchsatz (kW)	Reduzierter Wärmedurchsatz (kW)	Hauptdüsendurchmesser (1/100 mm)		Durchmesser der Düsen der Bypass-Schraube (1/100 mm)		Bei höheren Wärmeleistungen berechneter Verbrauch			
			G30/G31 50/50 mbar	G20/G25 20/20 mbar	G30/G31 50/50 mbar	G20/G25 20/20 mbar	G30 50mbar (g/h)	G31 50mbar (g/h)	G20 20mbar (l/h)	G25 20mbar (l/h)
Dreifachkronen-Brenner Nr. 1	3,5	1,8	75	135/145	74	Vorgegeben	255	250	334	388
Schnellbrenner Nr. 3	3	0,95	75	115/134	50	Vorgegeben	218	214	286	332
Halbschnellen Brenner Nr. 1	1,75	0,6	58	97/100	40	Vorgegeben	127	125	167	194

GEBRAUCHSANWEISUNG

KOCHFELD

- Bedienungen des Kochfeldes und ihr Gebrauch
 - Auf dem Bedienungsfeld sind, in Übereinstimmung mit jedem Drehknopf des jeweiligen Hahns am Kochfeld, 4 leere und ein ausgefüllter

Kreis (Abb. 6) dargestellt. Der ausgefüllte Kreis zeigt die Anordnung des Gasbrenners an, der jeweils über den entsprechenden Drehknopf bedient wird.

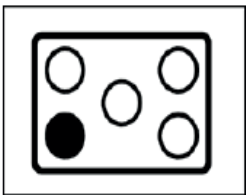


Abb. 3



Elektrisches Anzünden mit Sicherheitsvorrichtung
 - Das Kochfeld ist mit einer elektrischen Bren-
 ner-Zündung durch eine Glühkerze "A" (Abb. 7)
 ausgestattet. Die Glühkerze tritt in Funktion, wenn
 man den auf dem Bedienungsfeld vorhandenen
 Druckknopf drückt, dieser ist versehen mit dem
 Symbol (Funke). Zum Anzünden des Brenners den
 Druckknopf des elektrischen Zünders drücken und
 gleichzeitig den Drehkopf des jeweiligen Brenners
 gedrückt halten und gegen den Uhrzeigersinn auf
 das Symbol (große Flamme/Zündfunken) drehen.
 Nach dem Erscheinen der Flamme den Druck-
 knopf des elektr. Zünders loslassen und den Dreh-
 kopf des Hahns für ca. 6 - 8 weiter gedrückt halten,
 damit so das Aufheizen des

Sicherheits-Thermoelementes "B" gewährleitet
 ist. Dann den Drehkopf loslassen und auf die
 gewünschte Position stellen. Sollte die Flamme
 erlöschen, schaltet sich das Sicherheits-
 Thermoelement "B" ein und schließt automati-
 sch den Hahn, wobei folglich die Gaszufuhr an
 den jeweiligen Brenner unterbrochen wird. Um den
 Brenner wieder einzuschalten, den
 Drehknopf erneut auf Position • (aus) stellen und
 die Zündvorgänge nach einer Wartezeit von
 ca. 1 Minute wiederholen. Ein jeder Brenner kann
 bei maximaler, minimaler oder mittlerer
 Leistung genutzt werden, indem der Drehknopf
 zwischen den Schaltstellungen Minimum und
 Maximum eingestellt wird.

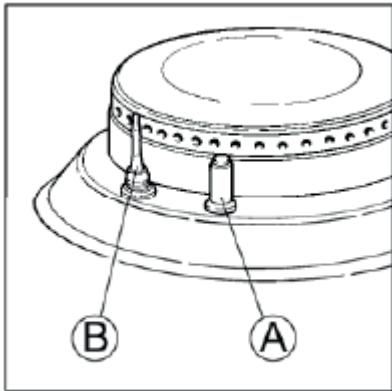


Abb. 4

Die Stellung des Drehknopfes sind wie folgt markiert:

- Stellung "aus" •
- Stellung "Maximum" (große Flamme/Zündfunken)
- Stellung "Minimum" (kleine Flamme)

Hinweis - Die auf den Brennern des Kochfeldes zu
 benutzenden Gefäße sollten keinen nach
 außen oder innen gewölbten sondern einen Flach-

boden haben (Abb. 8): Ihr
 Mindestdurchmesser sollte wie folgt sein:

- 180 mm für den halbschnellen Brenner (Brenner hinten rechts);
- 220 mm für den Schnellbrenner (Brenner hinten links - vorne links und rechts);
- 240 mm für den Dreifachkronen-Brenner (mittlerer Brenner).

Der halbschnelle Brenner ist mit einem Reduzierungsrost ausgestattet, auf den ein Topf Durchmesser 120 mm oder kleiner gestellt werden kann.

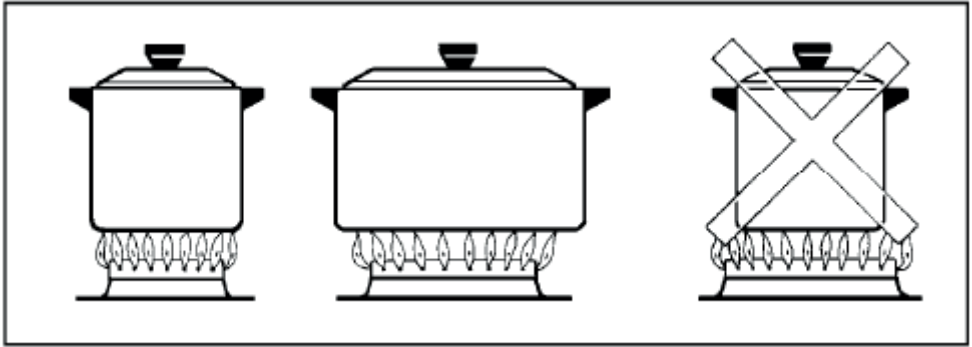


Abb. 5

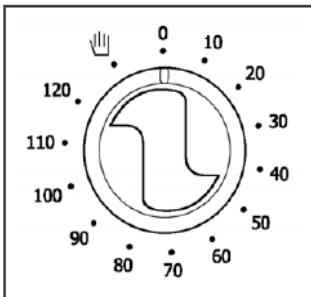
Von einem längeren Gebrauch von Grillpfannen oder ähnlichen Kochgeräten wird abgeraten. Während des Brennerbetriebs kann eine zu starke

Erhitzung des Kochgerät-Abstellrosts den Schutzlack für immer beschädigen.

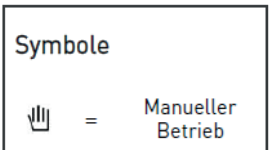
BACKOFEN

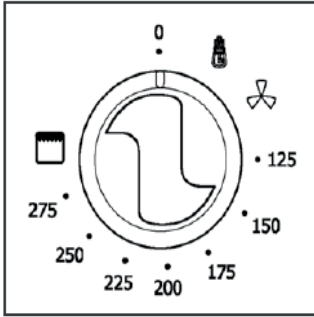
DE

- Bedienungen des Backofens und ihr Gebrauch



**PROGRAMMIER-
WÄHLSCHALTER (Abb. 9)**
Funktioniert über Schalter und ermöglicht das Einschalten des Gerätes.

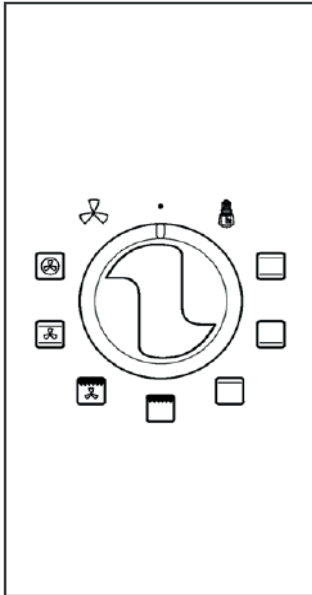
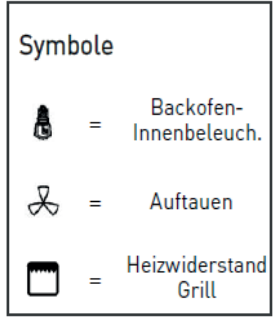




FUNKTIONSWÄHLSCHALTER/ THERMOSTATREGLER

(Abb. 10)

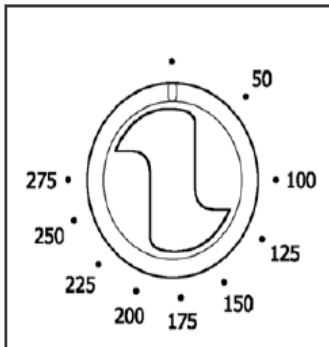
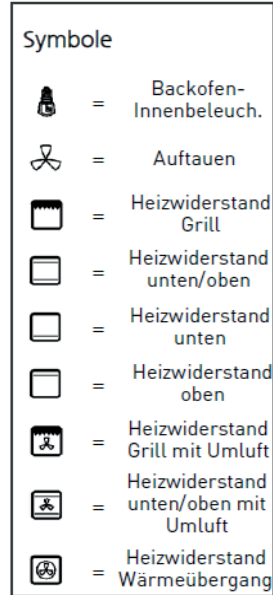
Ermöglicht die Auswahl der für die verschiedenen Backanforderungen geeignete Art der Wärme und regelt die Temperatur innerhalb des Backbereichs auf die gewünschten Werte.



FUNKTIONSWÄHLSCHALTER (nur an KC 96 M – KC 96 MS vorhanden)

(Abb. 11)

Ermöglicht die Auswahl der für die verschiedenen Backanforderungen geeignete Art der Wärme.



THERMOSTATREGLER (nur an KC 96 M – KC 96 MS vorhanden)

(Abb. 12)

Regelt die Temperatur innerhalb des Backbereichs auf die gewünschten Werte.

PROGRAMMIERUNG 'BACK-ENDE'

- Halbautomatischer Betrieb - Einstellbar ist eine Backzeit von bis zu 120 Minuten. Den Programmier-Wählschalter auf die gewünschte Backzeit drehen. Das Programm ist nun in Betrieb. Ist die Backzeit abgelaufen, so schaltet sich das Gerät automatisch ab.

- Manueller Betrieb - Das Gerät lässt sich auch ohne Auswählen der Backzeit benutzen. Den Programmier-Wählschalter einfach nur auf die Stellung (manuell) drehen. die Stellung zu drehen.

- Kontrolllicht Backofenthermostat - Dieses erlischt immer dann, wenn der Backofen die eingestellte Temperatur erreicht. Es leuchtet auf, wenn sich das Thermostat einschaltet, um die entsprechende Temperatur erneut herzustellen.

- Backofen-Innenbeleuchtung - Die Innenbeleuchtung bleibt bei eingeschaltetem Backofen immer an. Bei ausgeschaltetem Backofen ist zum normalen Reinigen der Wählschalter auf

BACKEN

Vor dem Einschieben des Backguts den Backofen auf die gewünschte Temperatur vorwärmen. Bei Erreichen der Temperatur das Backgut in den Backofen schieben und die

Backzeit überprüfen. Den Backofen 5 Minuten vor Ablauf der angesetzten Backzeit abschalten, um so Restwärme nutzen zu können.

BACKBEISPIELE BEI VORGEWÄRMTEM BACKOFEN

Temperaturen und Backzeiten sind rein richtungsweisend, denn Art und Menge des Backguts kann unterschiedlich sein. Somit

sollte nach bedarf die Backofen-Temperatur angepasst werden und entsprechende ofenfeste Pfannen/Formen benutzt werden.

Benutzung des Grills

Bei Grillbenutzung muss die Tür geschlossen sein. Fleisch oder Fisch, mit Grill zuzubereiten, sind leicht mit Öl einzureiben und immer auf den Grill zu legen; Dieser ist stets an den Führungen anzuordnen, die dem Grillelement am nächsten oder entferntesten sind, je nach Fleischdicke, um so ein Verbrennen

außen und ein unzureichendes Garen innen zu vermeiden. Gibt man 1 bis 2 Gläser Wasser in die Saftpfannen-Rille, lässt sich die Rauchbildung durch Saucen- oder Fettspritzer vermeiden. Bei Benutzung des Grills ist immer die Saftpfanne in die erste Führung von unten zu schieben.



DISHES	Temperature (°C)	Time (minutes)
Stuffed cannelloni	160	20
Egg flan	200	25
Lasagne in the oven	170	50
Macaroni pie	180	45
Creole style rice	190	22
Roast lamb	200	90
Duck	100	220
Roast pork	200	110
Beef stew	220	180
Roast chicken	200	100
Fish in general (½ Kg)	200	20
Peach tart	180	60
Chocolate gateau	200	40
Apple pie	180	55
Paradise gateau	180	50
Choux pastry	200	20
(doughnuts) Strudel (1 st stage)	200	20
Strudel (2 nd stage)	180	45

DE

Backen mit Wärmeübergang - Den Wählschalter (Abb. 10) auf die gewünschte Temperatur setzen.

Grill - Den Wählschalter auf das Symbol setzen. Der Grill arbeitet nur bei geschlossener Tür.

Auftauen - Den Wählschalter auf das Symbol setzen.

Herkömmliches Backen - Das Gerät einschalten. Den Wählschalter (Abb. 11) auf das Symbol und den Thermostatregler (Abb. 12) auf die gewünschte Temperatur setzen. Soll das Backen unterschiedlich, mit Ober- oder Unterhitze erfolgen, den Wählschalter auf eine der Stellungen o setzen.

Grill - Das Gerät einschalten. Den Wählschalter auf das Symbol und den Thermostatregler auf die gewünschte Temperatur setzen.

Grill mit Umluft - Das Gerät einschalten. Den Wählschalter auf das Symbol und den

Thermostatregler auf die gewünschte Temperatur setzen. Bei Grillbenutzung muss die Tür geschlossen sein.

Herkömmliches Backen mit Umluft - Das Gerät einschalten. Den Wählschalter auf das Symbol und den Thermostatregler auf die gewünschte Temperatur setzen.

Backen mit Wärmeübergang - Das Gerät einschalten. Den Wählschalter auf das Symbol und den Thermostatregler auf die gewünschte Temperatur setzen.

Auftauen - Das Gerät einschalten. Den Wählschalter auf das Symbol und den Thermostatregler auf 'ausgeschaltet' (•) setzen.



ACHTUNG! Das Gerät vor beliebigen Arbeiten immer elektrisch abschalten. Prüfen, ob der Gashahn geschlossen ist und ggf. warten, bis sich das Gerät abgekühlt hat.

KOCHFELD

Die Roste werden mit Wasser und flüssigem Reinigungsmittel gespült. Die Abdeckung der Brennerdeckel und die Brennerdeckel selbst, sollten häufig mit Wasser und flüssigem Reinigungsmittel gereinigt werden, Verkrustungen sorgfältig entfer-

nen. Die Deckel gut abtrocknen und prüfen, dass die Löcher der Brennerdeckel nicht verstopft sind. Die Endstücke der elektrischen Glühkerzen häufig reinigen.

KOCHFELD / BACKOFEN

Emaillierte Teile und Edelstahlteile müssen mit lauwarmem Seifenwasser gereinigt und mit einem weichen Tuch getrocknet werden. Keine abschleifenden Produkte oder korrosive Stoffe verwenden. Für hartnäckige Flecken, gewöhnliche

handelsübliche Reinigungsmittel (nicht schleifend) und etwas warmen Essig verwenden. Der Glanz des Edelstahls kann mit auf dem Markt erhältlichen Spezialprodukten erhalten bleiben.

BACKOFEN

Aus Gründen der Nahrungsmittelhygiene und um den optimalen Betrieb des Ofens zu sichern, sollte der Garraum am Ende eines jeden Arbeitstags gereinigt werden; Kochreste können so leichter entfernt werden und man vermeidet, dass sie beim nächsten Gebrauch verbrennen.

Von Innen ist der Backofen zu reinigen, wenn er noch warm ist. Dazu warmes Wasser und Spüler verwenden, anschließend sorgfältig nachwischen und trocknen. Zum einfacheren Reinigen sollten die seitlichen Führungen entfernt werden.

Backofentür

- Für ein komplettes Reinigen der Backofentür sollte sie ausgebaut werden. Dazu wie folgt vorgehen:
- Die Tür vollständig öffnen;

- Die Ringe "A" an den entsprechenden Stellen der Scharniere einhaken (Abb. 13);
- Die Tür leicht anheben und abziehen (Abb. 14);



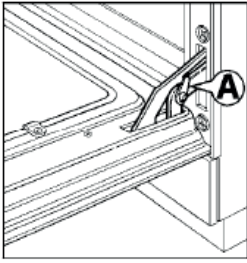


Abb. 13

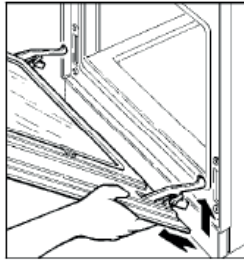


Abb. 14

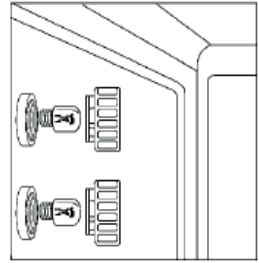


Abb. 15

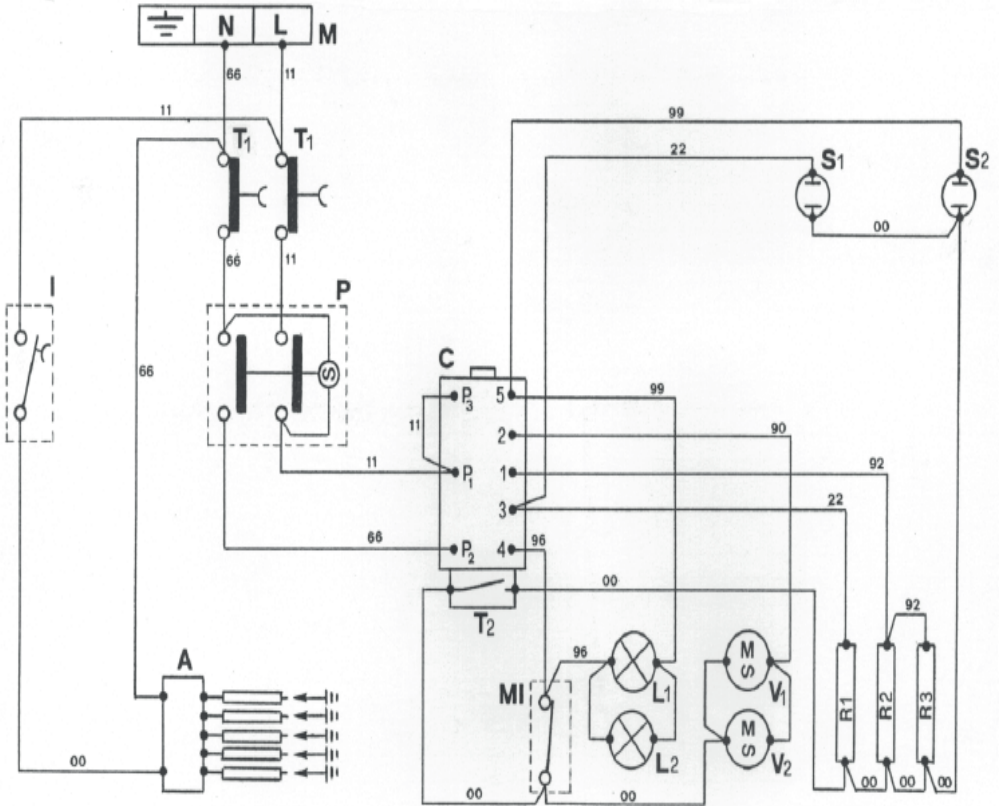
Ersetzen der Backofen-Innenbeleuchtung

- Das Gerät spannungsfrei machen.
 - Den Glasschutz lösen (Abb. 15);
 - Die Birne herausdrehen und durch eine neue, hitzefeste ersetzen (300°C), sie muss folgende Eigenschaften haben:
- Spannung: 230/240 V
Leistung: 15 W
Anschluss: E 14
- Den Glasschutz erneut anbringen und den Stromanschluss des Gerätes wiederherstellen.

WICHTIG - Es wird empfohlen, das Geräte mit Gas- oder elektrischem Anschluss mindestens einmal im Jahr von einem qualifizierten Techniker überprüfen zu lassen. Der Hersteller übernimmt keinerlei Haftung bei direkten oder indirekten Schäden durch unsachgemäßem Gebrauch, mangelhafter Installation oder Instandhaltung oder andere, in unseren Verkaufskonditionen angegebene Gründe.

DE





DE

Legende

- M Klemmenleiste Stromversorgung
- T1 Sicherheitsthermostat
- T2 Thermostatregler
- A Anzünder
- I Schalter - Druckknopf
- MI Mikroschalter Tür
- P Backzeit-Programmierung
- C Wählschalter Backofen
- L1-L2 Backofen-Innenbeleuchtung
- S1 Birne Grill-Kontrolllicht
- S2 Birne Thermostat-Kontrolllicht

- V1-V2 Radial-Elektrogebläse
- R2-R3 Runde Heizwiderstände 1200W
- R1 Heizwiderstand Grill 2500W
- 00 Schwarz
- 11 Braun
- 22 Rot
- 66 Blau
- 90 Weiß/schwarz
- 92 Weiß/rot
- 96 Weiß/blau
- 99 Weiß



TECHNISCHER BEISTAND UND ORIGINALERSATZTEILE

Bevor dieses Gerät das Werk verlassen hat, wurde es von erfahrener Fachpersonal abgenommen und eingestellt, so dass es die besten Resultate garantieren wird. Anfallende Reparaturen oder Einstellungen müssen mit größter Achtung und Sorgfalt ausgeführt werden, benutzenden nur originalen Ersatzteilen.

Aus diesem Grund, ist es benötigt, sich immer an den Händler, der den Verkauf ausgeführt hat, oder an unsere nächste Kundendienststelle zu wenden. Geben Sie dabei die Art der Störung und das Modell Ihres Geräts an. Die zur Anpassung an einen anderen Gastyp notwendigen Teile werden mit dem Gerät beim Verkauf oder der Auslieferung mitgeliefert.

ENTSORGUNG UND UMWELTSCHUTZ

Nach Beendigung seiner Lebensdauer darf das Gerät nicht zusammen mit den Haushaltsabfällen entsorgt werden, sondern es muss an die Sammelstelle für elektrische und elektronische Abfälle gebracht werden. Der Anwender verantwortet für das Abstellen des außer Betrieb gesetzten Geräts an die Entsorgungsstelle. Die Nichteinhaltung dieser Regel kann gemäß den lokal geltenden Vorschriften bzgl. der Abfallentsorgung bestraft werden. Wenn das außer Betrieb gesetzte Gerät als separater Abfall richtig abgeholt wird, kann es umweltfreundlich aufbereitet und entsorgt werden, was negative Auswirkungen auf Umwelt und Gesundheit verringert. Um mehr Informationen über die zugänglichen Dienstleistungen im Bereich der Abfallsammlung zu erhalten, setzen Sie sich in Verbindung mit dem lokalen Abfallabfuhrunternehmen. Der Hersteller, der Importeur und der Verkäufer verantworten nicht für die Wiederaufbereitung, Verarbeitung und Entsorgung von Abfällen, weder direkt noch über ein öffentliches System.

DE

GARANTIE

Jeder Defekt, der die Funktion des Geräts nachteilig beeinflusst und der sich innerhalb eines Jahres nach Ankauf des Geräts zeigt, wird durch Reparatur oder Auswechslung kostenlos behoben, falls das Gerät den Anleitungen entsprechend gebraucht und gewartet wurde und nicht in irgendeiner Weise falsch behandelt oder unzureichend benutzt wurde. Ihre gesetzlich verbrieften Rechte bleiben davon unberührt. Ist die Garantie rechtsgültig, geben Sie an, wo und wann Sie das Gerät gekauft haben und legen Sie eine Quittung (z.B. Kassenzettel) bei.

Auf Grund unserer Zielsetzung, die Produktentwicklung stetig fortzusetzen, behalten wir uns das Recht vor, das Produkt, die Verpackung und die Unterlagen ohne vorherige Inkennzeichnung zu ändern.





Szanowny Kliencie,

Dziękujemy za zakup urządzenia firmy Hendi. Prosimy o uważne zapoznanie się z niniejszą instrukcją przed podłączeniem urządzenia, aby uniknąć uszkodzeń spowodowanych niewłaściwą obsługą. Należy zwrócić szczególną uwagę na zasady bezpieczeństwa.

WAŻNE ZASADY BEZPIECZEŃSTWA

- Nieprawidłowa obsługa i niewłaściwe użytkowanie mogą spowodować poważne uszkodzenie urządzenia lub zranienie osób.
 - Niniejsze urządzenie przeznaczone jest wyłącznie do użytku komercyjnego i nie może być stosowane do użytku domowego.
 - Urządzenie należy stosować wyłącznie zgodnie z przeznaczeniem. Producent nie ponosi żadnej odpowiedzialności za szkody spowodowane nieprawidłową obsługą i niewłaściwym użytkowaniem urządzenia.
 - W czasie użytkowania zabezpiecz urządzenie i wtyczkę kabla zasilającego przed kontaktem z wodą lub innymi płynami. W mało prawdopodobnym przypadku zanurzenia urządzenia w wodzie, należy natychmiast wyciągnąć wtyczkę z kontaktu, a następnie zlecić kontrolę urządzenia specjaliście. Nieprzestrzeganie tej instrukcji może spowodować zagrożenie życia.
- PL
- Nigdy nie otwieraj samodzielnie obudowy urządzenia.
 - Nie wtykaj żadnych przedmiotów w obudowę urządzenia.
 - Nie dotykaj wtyczki kabla zasilającego wilgotnymi rękami.
 - Niebezpieczeństwo porażenia prądem! Nie należy samodzielnie naprawiać urządzenia. Wszelkie usterki i niesprawności winny być usuwane wyłącznie przez wykwalifikowany personel.
 - Nigdy nie używać uszkodzonego urządzenia! Uszkodzone urządzenie należy odłączyć od sieci i skontaktować się ze sprzedawcą.
 - Ostrzeżenie: Nie zanurzać części elektrycznych urządzenia w wodzie ani w innych płynach. Nie wkładać urządzenia pod bieżącą wodę.
 - Regularnie sprawdzać wtyczkę i kabel zasilający pod kątem uszkodzeń. Uszkodzoną wtyczkę lub kabel przekazać w celu naprawy do punktu serwisowego lub innej wykwalifikowanej osoby, aby zapobiec ewentualnym zagrożeniom i obrażeniom ciała.
 - Upewnić się, czy kabel zasilający nie styka się z ostrymi ani gorącymi przedmiotami; trzymać kabel z dala od otwartego płomienia. Aby wyjąć wtyczkę z gniazdka, zawsze ciągnąć za wtyczkę, a nie za przewód.
 - Zabezpieczyć kabel zasilający (lub przedłużający) przed przypadkowym wyciągnięciem z kontaktu. Przewód poprowadzić w sposób uniemożliwiający



przypadkowe potknięcie.

- Ostrzeżenie! Jeżeli wtyczka jest włożona do gniazdka, urządzenie należy uważać za podłączone do zasilania.
- Przed wyjęciem wtyczki z gniazdka wyłączyć urządzenie.
- Nigdy nie przenosić urządzenia, trzymając za kabel.
- Nie używać żadnych akcesoriów, które nie zostały dostarczone wraz z urządzeniem.
- Urządzenie należy podłączać wyłącznie do gniazdka o napięciu i częstotliwości podanych na tabliczce znamionowej.
- Włożyć wtyczkę do gniazdka zlokalizowanego w dogodnym łatwo dostępnym miejscu, tak by w przypadku awarii istniała możliwość natychmiastowego odłączenia urządzenia. W celu całkowitego wyłączenia urządzenia odłączyć je od źródła zasilania. W tym celu wyjąć z gniazdka wtyczkę znajdującą się na końcu sznura odłączającego urządzenia.
- Przed odłączeniem wtyczki zawsze pamiętać o wyłączeniu urządzenia!
- Nie korzystać z akcesoriów niezalecanych przez producenta. Zastosowanie niezalecanych akcesoriów może stwarzać zagrożenie dla użytkownika oraz prowadzić do uszkodzenia urządzenia. Korzystać wyłącznie z oryginalnych części i akcesoriów.
- Z urządzenia nie mogą korzystać osoby (także dzieci), u których stwierdzono osłabione zdolności fizyczne, sensoryczne lub umysłowe, albo którym brakuje odpowiedniej wiedzy i doświadczenia.
- W żadnym wypadku nie zezwalać na obsługę urządzenia przez dzieci.
- Urządzenie wraz z przewodem przechowywać poza zasięgiem dzieci.
- Nie dopuścić, by dzieci wykorzystywały urządzenie do zabawy.
- Zawsze odłączyć urządzenie od zasilania, jeżeli ma być ono pozostawione bez nadzoru, a także przed montażem, demontażem i czyszczeniem.
- Nie zostawiać urządzenia bez nadzoru podczas użytkowania.

PL

PODSTAWOWE INFORMACJE

Prosimy dokładnie przeczytać informacje zawarte w niniejszej instrukcji dotyczące ważnych wskazówek bezpieczeństwa instalacji, użytkowania i konserwacji. Instrukcję należy starannie przechowywać. Instrukcja ta obowiązuje wyłącznie w krajach, których oznaczenia znajdują się na obwolutie instrukcji oraz tabliczkach z danymi technicznymi urządzenia.

Wszelkie czynności instalacyjne powinien przeprowadzać wykwalifikowany personel zgodnie z obowiązującymi normami. Specjalne infor-

macje dla instalatora znajdują się w uwagach przeznaczonych dla instalatorów. Po każdym nastawieniu lub podłączeniu do innego typu gazu należy opieczetować daną aparaturę.

W celu prawidłowego funkcjonowania urządzenia należy zapewnić prawidłową wentylację pomieszczenia kuchennego, w którym zostanie zainstalowane urządzenie (w tym celu instalator jest zobowiązany do przestrzegania obowiązujących krajowych przepisów i ich późniejszych zmian); tak aby do pomieszczenia



Ogólne uwagi

Instalacja i użytkowanie każdego elektrycznego sprzętu gospodarstwa domowego wymaga przestrzegania kilku podstawowych norm. Urządzenie może być zainstalowane wyłącznie przez uprawniony do tego personel i zgodnie z prawnie obowiązującymi normami. Wszelkie czynności konserwacyjne i nastawianie urządzenia można wykonywać wyłącznie wtedy, gdy kuchnia jest odłączona od prądu.

Wskazówka: Używanie gazowych elementów grzewczych wytwarza wysoką temperaturę i wilgotność w pomieszczeniu, w którym urządzenie zostało zainstalowane. W celu zapewnienia właści-

wej cyrkulacji powietrza w pomieszczeniu należy zawsze zapewniać naturalne wietrzenie lub zainstalować wywietrznik z przewodem odprowadzającym. Przed pierwszym włączeniem piekarnika przemyć go wodą i środkiem czyszczącym i dokładnie wyptukać. Umieścić boczne prowadnice i założyć wszelkie możliwe ruszty. Następnie włączyć kuchnię na maksymalną temperaturę na okres 2 godzin, aby w ten sposób usunąć możliwe zapachy spowodowane izolacją cieplną i pozostałościami smarów stosowanych przy produkcji kuchni.

Miejsce instalacji

PL W celu sprawnego funkcjonowania kuchni pracującej na gaz konieczne jest naturalne napowietrzanie do spalania gazu. (Instalator musi zachować obowiązujące krajowe przepisy i ich późniejsze zmiany). Powietrze powinno być doprowadzane do pomieszczenia bezpośrednio przez otwór prowadzący do ściany zewnętrznej (rys. a). Otwory te powinny charakteryzować się swobodnym przekrojem przepływu wynoszącym przynajmniej 100cm² dla dopływu powietrza i przynajmniej 100 cm² dla odprowadzania spalin. Jeżeli będzie zainstalowane inne urządzenie zasilane gazem, wówczas przekrój przepływu musi ulec odpowied-

niemu powiększeniu. Otwory powinny być tak umieszczone, aby nie można ich było zaczopować ani z zewnątrz ani od wewnątrz, te do doprowadzenia powietrza najlepiej w okolicy podłogi, a te do odprowadzania spalin u góry na murze zewnętrznym. Jeżeli nie ma takiej możliwości w pomieszczeniu, w którym kuchnia jest instalowana, konieczne powietrze może być doprowadzane z sąsiadującego pomieszczenia, pod warunkiem, że nie jest to sypialnia lub pomieszczenie niebezpieczne, i że można zagwarantować właściwą wentylację. (Instalator musi zachować obowiązujące krajowe przepisy i ich późniejsze zmiany)

Odprowadzanie produktów spalania

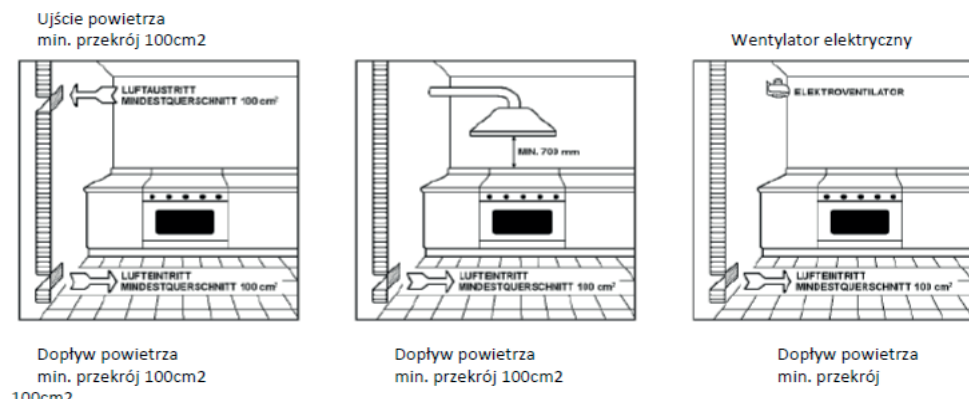
Z palników spaliny muszą być odprowadzane przez okap bezpośrednio do rury wyciągu dymowego lub bezpośrednio na zewnątrz. Okap nie może być umieszczony poniżej 70 cm od powierzchni pracy (rys. b) Należy także zachować minimalny odstęp od mebli lub regatów, które są zamontowane poziomo nad kuchnią. Jeżeli nie ma

możliwości zainstalowania okapu, należy stosować wentylator elektryczny połączony bezpośrednio z oknem lub wyjściem na zewnątrz. W pomieszczeniu muszą się jednak znajdować otwory doprowadzające powietrze (Instalator musi zachować obowiązujące krajowe przepisy i ich późniejsze zmiany) – (rys. c)

Moc tego elektrycznego wentylatora musi gwarantować 3-5-krotnie większą godzinową wymianę powietrza w napowietrzonym pomieszczeniu.

Wskazówka: Intensywne i dłuższe użytkowanie

kuchni może wymagać dodatkowej wentylacji, np. przez otworzenie okna lub bardziej wydajne napowietrzanie przy pomocy sprawniejszego mechanicznego urządzenia zasysającego.



Pozostałe ryzyka

- Nie dopuszczać do użytkowania kuchni przez personel, który nie został w tym względzie przeszkolony,
- Gdy kuchnia jest gorąca, ostrożnie otwierać drzwiczki, aby nie dopuścić do dużego ujścia ciepła, mogącego spowodować oparzenia.
- Kuchnia jest wyposażona w elektryczne części i nigdy nie wolno jej myć strumieniem wody lub parą.
- Aby nie dopuścić do złego podłączenia kuchni, przyłączy gazowe jest oznakowane tabliczką,

na której podany jest stosowany rodzaj gazu.

- Kuchnia ma przyłączy elektryczne: przed przystąpieniem do jej czyszczenia zawsze odłączyć ją od prądu.
- Uchwytu drzwi nie używać do transportu kuchni (możliwe pęknięcie szyby).
- Ruchove części palników należy po ewentualnym czyszczeniu prawidłowo umieścić na swoim miejscu, w ten sposób unikamy złej lub niebezpiecznej pracy kuchni (lusterki).

PL

PRZYŁĄCZENIE KUCHNI DO INSTALACJI GAZOWEJ

Przyłączenie kuchni do butli lub instalacji gazowej odbywa się zgodnie z przepisami i normami (Instalator musi zachować obowiązujące krajowe przepisy i ich późniejsze zmiany). Przyłączy gazowe musi być wykonane ze stałej rury miedzianej lub odpowiedniej dla danego typu stali nierdzewnej (Instalator musi zachować obowiązujące krajowe przepisy i ich późniejsze zmiany).

Gas jest doprowadzany gwintowanymi przewodami GJ1/2". Należy sprawdzić, czy kuchnia jest przystosowana do pracy z istniejącym gazem i czy ciśnienie jest ustawione na doprowadzany rodzaj gazu. W przeciwnym przypadku należy wykonać czynności opisane w rozdziale „Przyłączy do różnych rodzajów gazu”.



WAŻNE – Prosimy upewnić się, czy ciśnienie w przewodzie doprowadzającym gaz ma wartości podane w tabeli „parametry palnika i dysz” (tabela 1-2).

Jeżeli ciśnienie zasilające nie jest zgodne z podanym w tabeli, należy usunąć przyczynę lub zgłosić do zakładu gazociągów i zaprzestać użytkowania kuchni. Przyłączenie do sztywnych lub elastycznych rur metalowych nie może powodować obciążenia przewodów kuchni („rampa”)

PRZYŁĄCZENIE KUCHNI DO INSTALACJI ELEKTRYCZNEJ

Przed podłączeniem kuchni należy zapewnić:

- przetacznik różnicowy i instalacja wytrzymałą obciążenie kuchni (patrz dane na tabliczce elektrycznej);
- Instalacja elektryczna jest wyposażona w skuteczny system uziemiający spełniający wymogi aktualnych przepisów;
- Łatwa dostępność okrągłej wtyczki używanej do

podłączenia. Przy bezpośrednim podłączeniu do sieci należy zgodnie z obowiązującymi przepisami zainstalować między kuchnią a przewodem okrągłą wtyczkę z minimalnym otworem 3mm między kontaktami, zwymiarować ją odpowiednio do obciążenia oraz zgodnie z przepisami. Nie wolno odłączać z wtyczki kabla uziemiającego żółty/ zielony.

Przyłączenie kabla zasilającego

PL

Listwa przyłączeniowa znajduje się z na tylnej ścianie kuchni. Otworzyć pokrywę listwy przyłączeniowej podnosząc śrubokrętem dwa boczne skrzydła. Poluzować śrubę uchwytu kabla i przeprowadzić kabel. Kabel umieścić w taki sposób, aby przewód uziemiający, w przypadku gdy będzie wyciągany, wyszedł jako ostatni.

Podłączyć przewód fazowy do zacisku oznaczonego „L”, przewód zerowy do zacisku z oznaczeniem „N” a przewód uziemiający do zacisku oznaczonego symbolem Przykręcić nakrętkę wpustową uchwytu kabla i zamknąć pokrywę deski zaciskowej. Kuchnia

musi być podłączona do systemu ekwipotencjalnego, którego skuteczność należy sprawdzić zgodnie z obowiązującymi przepisami. Podłączenie między różnymi urządzeniami musi być wykonane przy pomocy przewidzianego do tego zacisku o symbolu .

Minimalny przekrój ekwipotencjalnego przewodu musi wynosić 10 mm². Ekwipotencjalny zacisk znajduje się na tylnej ścianie kuchni. Przy pracującej kuchni napięcie zasilające nie może różnić się od napięcia znamionowego o więcej niż 10%.

Kabel zasilający musi charakteryzować się następującymi właściwościami:

Napięcie zasilające (V) = 220 – 230

Przekrój kabla = 3 x 1,5 mm²

Typ kabla zasilającego = H07RN-F



Zabezpieczenie przeciwwyptywowe gazu

Kuchnia posiada przerywacz ciepły, który gwarantuje ochronę przed zbyt wysokimi i niebezpiecznymi temperaturami, mogącymi powstać w sposób niezamierzony w piekarniku. W takim przypadku

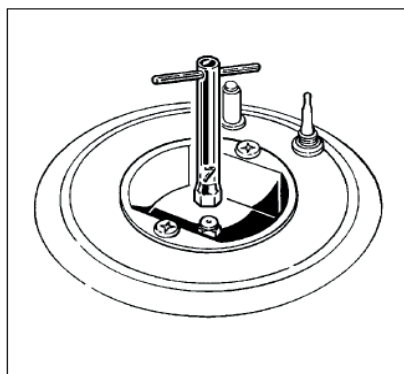
urządzenie włącza się i przerywa dopływ prądu do kuchni. Dostęp do urządzenia jest możliwy przez zdjęcie tylnej osłony kuchni.

PRZYSTOSOWANIE KUCHNI DO INNEGO RODZAJU GAZU

W celu przystosowania kuchni do innego rodzaju gazu (patrz tabliczka znamionowa lub uzupełniająca oznakowanie), należy wymienić dysze pięciu palników i nastawić dopływ powietrza pierwotnego przy pomocy odpowiednich nastawników.

W tym celu należy wymontować pole grzewcze w taki sposób, aby uzyskać łatwy dostęp do palnika, podstawy dysz i nastawników powietrza pierwot-

go. Usunąć z palnika nakładane i ruchome części. Dyszę wykręcić przy pomocy specjalnego klucza nasadowego 7mm (rys. 2) i wymienić na nową sprawdzoną dyszę (patrz tabela 1). Sprawdzić w tabeli 1 prawidłową średnicę, która jest podana na dyszach. Po wymianie dysz ponownie zamontować wymontowane części i na tabliczce „dane techniczne” umieścić nowe dane.



Rys. 2

Uwaga: Palniki nie wymagają regulacji powietrza.

Ustawienie minimalne

Palniki są dostosowane do pracy z metanem (G20). W przypadku pracy z gazem płynnym (G30/G31) należy postępować następująco: Palnik zapalić na minimalnej mocy i przy pomocy odpowiedniego śrubokrętu całkowicie dokręcić śrubę nastawczą znajdującą się z boku rękojeści każdego

kurka. Sprawdzić, czy płomień pali się równomiernie i jest stabilny, także podczas obracania pokrętkiem kurka z położenia maksymalnego do minimalnego otwarcia. Po ustawieniu śruby nastawczej na obejściu należy ją zamknąć czerwonym lakierem.



	Nominalny przepływ ciepła (kW)	Zredukowany przepływ ciepła (kW)	Średnica dyszy głównej (1/100mm)		Średnica dysz śruby na obejściu		Zużycie obliczone przy wyższych mocy cieplnej		
			G30/G31 30/37 mbar	G20 20 mbar	G30/G31 30/37 mbar	G20 20 mbar	G30 30mbar (g/h)	G31 37mbar (g/h)	G20 20mbar (g/h)
Palnik z potrójnym wieńcem nr 1	3,5	1,8	95	135	74	podana	255	250	334
Palnik średni nr 3	3	0,95	85	115	50	podana	218	214	286
Palnik pomocniczy nr 1	1,75	0,6	65	97	40	podana	127	125	167

Tab. 1

Ciśnienie doprowadzane w mbar			
Rodzaj gazu	Praca	Max	Min.
G30	30	35	20
G31	37	45	25
G20	20	25	17

PL INSTRUKCJA UŻYTKOWANIA

Pole grzewcze

Obsługa pola grzewczego – Na pulpicie pokazane są dla każdego pokrętku, 4 puste i jeden zaciemniony okrąg (rys. 6) Zaciemniony okrąg pokazuje umieszczenie palnika gazowego, który jest obsługiwany przez odpowiednie pokrętko.

Elektryczny zapalacz z urządzeniem zabezpieczającym wyptyw gazu – Palnik jest wyposażony w elektryczny zapalacz iskrowy „A” (rys. 7).

Zapalacz zaczyna działać, gdy naciśniemy na przy-

Aby urządzenie działało prawidłowo należy czyścić powierzchnię

iskrowników co najmniej raz w tygodniu. W tym celu należy zdjąć palnik.

Po ukazaniu się płomienia zwolnić przycisk elektrycznego zapalacza a pokrętko kurka trzymać wciśnięte przez następne ok. 6 – 8 sekund celem zadziałania urządzenia zabezpieczającego przed

cisk oznaczony symbolem

W celu zapalenia palnika wcisnąć przycisk zapalacza

iskrowego i jednocześnie wcisnąć

pokrętko i przekręcić

w kierunku przeciwnym do ruchu wskazówek zegara do pozycji (duży płomień/ iskra zapalająca).

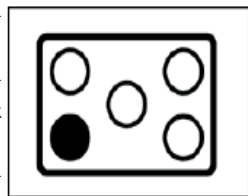


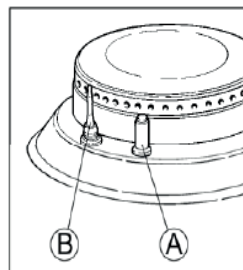
Fig. 6

wyptywem gazu „B”. Następnie zwolnić pokrętko i ustawić na żądane położenie.

Jeżeli płomień zgaśnie, włączy się zabezpieczenie przeciwwyptywowe gazu „B” i automatycznie zamknie kurek, co spowoduje przerwanie doptywu gazu. W celu ponownego zapalenia palnika, ponownie ustawić pokrętko na pozycję wyłączenia i po upływie ok. 1 minuty powtórzyć proces

zapalania. Każdy palnik można użytkować na maksymalnej, średniej lub minimalnej mocy poprzez

ustawienie pokrętła w położeniu pomiędzy ustawieniami minimum a maksimum.



Uwaga: Naczynia stawiane na palniku pola grzewczego nie powinny mieć wybruszonych lub wklęsłych spodów. Dno naczynia powinno być płaskie (rys. 8: Ich średnica powinna wynosić: 180 mm dla palnika pomocniczego (palnik po prawej stronie z tyłu); 220 mm dla palnika średniego (palnik po

lewej stronie z tyłu – z przodu po lewej i prawej stronie); 240 mm dla palnika z potrójnym wieńcem (środkowy palnik) Palnik pomocniczy jest wyposażony w ruszt redukcyjny, na którym można ustawiać garnki o średnicy 120 mm lub mniejsze.

Położenia pokrętła są oznakowane następująco:

- położenie „aus” (wyłączone)
- położenie „maksimum” (duży płomień/iskra)
- położenie „minimum” (mały płomień).

Nie radzimy zbyt długiego używania brytfanny lub tego typu naczyń. Podczas pracy palnika zbyt duża temperatura rusztu może prowadzić do uszkodzenia lakieru.

PL

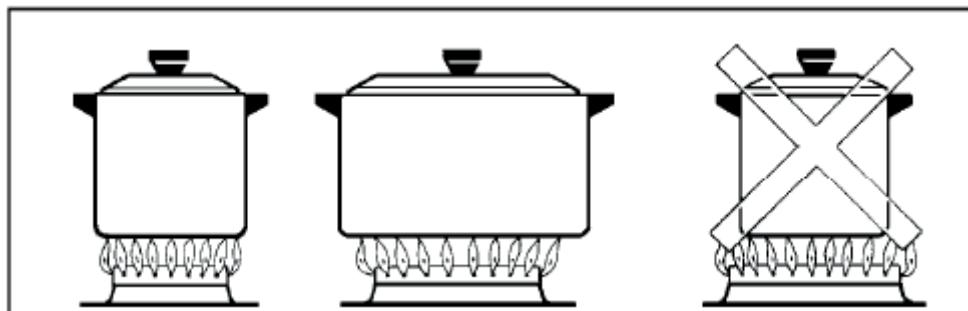
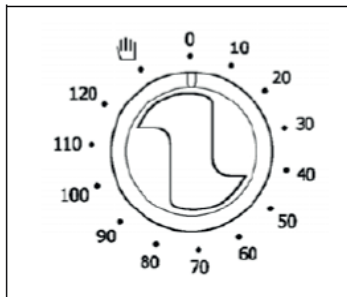


Fig. 8



PIECA

- Obsługa pieca i jego funkcje




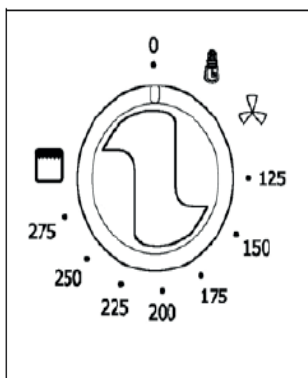
Rys. 9

PROGRAMATOR – POKRĘTŁO (rys. 9)

Działa poprzez przetącznik i umożliwia włączenie urządzenia.

Symbole

 = praca ręczna



Przetącznik programów / Regulator termostatu rys. 10

Umożliwia wybór różnego rodzaju ciepła w zależności od wymagań pieczeniowych i reguluje temperaturę wewnątrz pieca wg wybranej wartości



= Oświetlenie wnętrza pieca



= Rozmrażanie



= Grzejnik opiekacza (nie działa wtedy wentylator)

PL

PROGRAMOWANIE „ZAKOŃCZENIE PIECZENIA”

Praca półautomatyczna – można nastawić czas pieczenia do 120 minut. Pokrętło programatora obrócić na wybrany czas pieczenia. Program pracuje. Gdy minie czas pieczenia piec wyłączy się automatycznie. Praca ręczna – Piec można użytkować także bez nastawiania czasu pieczenia. Pokrętło programatora ustawić po prostu w pozycję (ręczna). Lampka kontrolna termostatu pieca –

gaśnie zawsze, gdy piec osiągnie nastawioną temperaturę. Zapala się w chwili załączenia się termostatu w celu ponownego uzyskania nastawionej temperatury. Oświetlenie wnętrza pieca – Włączony piec jest zawsze oświetlony. Gdy piec jest wyłączony do normalnego czyszczenia należy obrócić pokrętło w położenie

PIECZENIE – Przed włożeniem produktu do pieca należy go ogrzać do żądanej temperatury. Gdy piec ma właściwą temperaturę wsunąć potrawę i sprawdzić czas pieczenia. 5 minut przez

zakończeniem nastawionego czasu wyłączyć piec i w ten sposób wykorzystać pozostałe ciepło.

Przykłady pieczenia przy wstępnie ogrzanym piecu



Potrawa	Temperatura °C	Czas pieczenia (min)
Faszerowane Cannelloni	160	20
Faszerowany jajami koper włoski	200	25
Zapieczona lasagne	170	45
Zapiekanka z makaronem	180	22
Ryż po kreolsku	190	90
Pieczeń jagnięca	200	90
Kaczka	100	220
Pieczeń wieprzowa	200	110
Duszona wołowina	220	180
Kurczak pieczony	200	100
Ryba ogólnie (1/2 kg)	200	20
Ciasto z brzoskwiniami	180	60
Murzynek	200	40
Jabłecznik	180	55
Ciasto bez owoców	180	50
Podkład do ciast (Bigné)	200	20
Strudel (1 etap)	200	20
Strudel (2 etap)	180	45

UŻYTKOWANIE OPIEKACZA

- Podczas użytkowania opiekacza drzwiczki muszą być zamknięte.

Opiekane mięso lub rybę lekko natrzeć olejem i zawsze kłaść na ruszt, który w zależności od grubości opiekanej potrawy jest najbliżej albo najdalej od elementu grzewczego, tak aby uniknąć

Pieczenie z termoobiegiem – Ustawić pokrętko (rys. 10) na żadaną temperaturę.

Opiekacz – Obrócić pokrętko na symbol Ruszt użytkuje się zawsze przy zamkniętych

spalenia z zewnątrz i niedopieczona potrawa w środku. Dodanie 1 do 2 szklanek wody do blachy na ściekający tłuszcz, pozwoli na uniknięcie dymu powodowanego przez - pryskający tłuszcz. Używając opiekacz należy blachę na ściekający tłuszcz zawsze wsuwać na najniższy poziom pieca.

drzwiczkach. Przy tym programie wentylator termoobiegowy nie działa.

Rozmrażanie: Obrócić pokrętko na symbol

CZYSZCZENIE I KONSERWACJA KUCHNI

UWAGA: Przed wszelkimi pracami należy kuchnię wyłączyć z prądu. Sprawdzić, czy kurek od gazu jest zamknięty i ewentualnie odczekać do ochłodzenia się urządzenia.

Palniki – Ruszty myć zawsze w ciepłej wodzie z dodatkiem płynnych środków zmywających. Płyty podpalnikową i sam palnik należy często przemywać ciepłą wodą z dodatkiem płynnych środków

myjących, i starannie usuwać osad. Płyty podpalnikową dokładnie wytrzeć i sprawdzić czy otwory palnika nie są zacopowane. Często czyścić końcówki zapalacza iskrowego.



Palniki / piec – Ruszty i części ze stali szlachetnej wyczyścić ciepłą wodą z dodatkiem mydła i wytrzeć miękką szmatką. Nie używać żadnych ścierających lub niszczących środków. Do trudnych plam stosować normalne tradycyjne środki myjące (nie ścierające) używać trochę ciepłego octu. Potysk stali szlachetnej można zachować, stosując środki dostępne na rynku.

Piec – Ze względów na higienę środków spożywczych i w celu zapewnienia optymalnej pracy pieca, należy go czyścić po każdym użytkowaniu; dzięki temu łatwiej jest usunąć pozostałości po pieczeniu

i unika się ich spalania podczas następnego użytkowania pieca.

Kuchnię należy myć, gdy jest jeszcze ciepła. Używać do tego ciepłej wody i środka do mycia, następnie dokładnie wytrzeć i wysuszyć.

Drzwi pieca – Podczas dokładnego mycia pieca należy wymontować drzwi. W tym celu należy postępować w następujący sposób:

- Całkowicie otworzyć drzwi;
- Na odpowiednich miejscach zawiasów zahaczyć pierścienie „A” (rys. 13);
- Lekko podnieść i wyjąć drzwi (rys. 14)

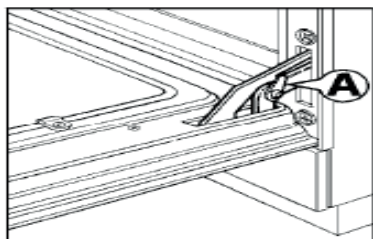


Fig. 13

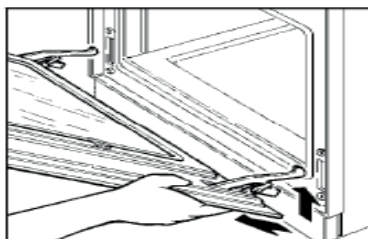


Fig. 14

PL

Wymiana żarówki oświetlenia wnętrza pieca – Kuchnię odłączyć od prądu.

- Zdjąć szklany klosz lampki
- Wykręcić żarówkę i wkręcić nową, żaroodporną (300°C). Musi ona spełniać następujące wymagania:

Napięcie: 230/240 V

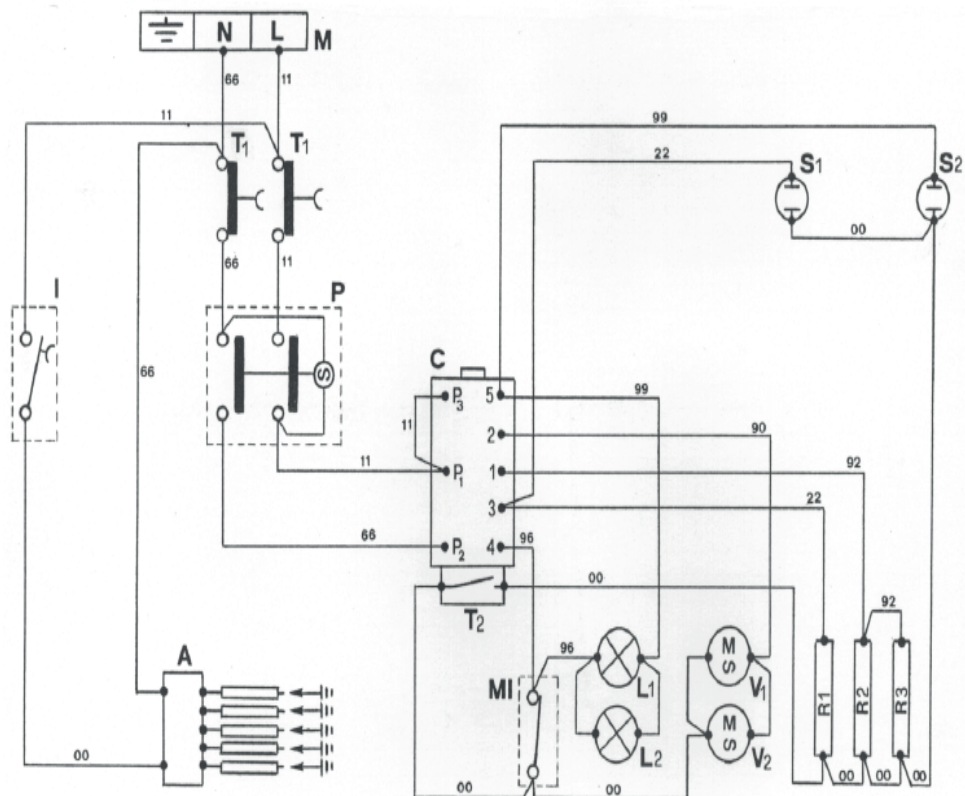
Moc: 25 W

Gwint: E 14

- Założyć ponownie szklany klosz lampki i podłączyć kuchnię do prądu.

WAŻNE – Zaleca się, aby przynajmniej raz do roku urządzenia z przyłączem gazowym lub elektrycznym były sprawdzone przez wykwalifikowanych techników. Producent nie przyjmuje żadnej odpowiedzialności za pośrednie i bezpośrednie szkody spowodowane niewłaściwym użytkowaniem, wadliwą instalacją lub konserwacją lub przez inne przyczyny podane w naszych warunkach handlowych.

SCHEMAT IDEOWY



M	Listwa połączeń zasilania elektrycznego	V1-V2	Elektryczna dmuchawa promieniowa
Pr	Programowanie czasu pieczenia	R1-R2	Okrągłe grzejniki
T1	Termostat bezpieczeństwa	R3	Grzejnik opiekacza
T2	Pokrętko termostatu	S1	żarówka lampki kontrolnej
IA	Przełącznik przyciskowy	S2	opiekacza żarówka lampki kontrolnej termostatu
A	Zapalacz		
MI	Mikrowyłącznik drzwi		
C	Pokrętko programatora pieca		
L1-L2	Oświetlenie wnętrza pieca		



PRZEZNACZENIE

Urządzenie jest przeznaczone wyłącznie do gotowania żywności, wszelkie inne zastosowanie jest niewłaściwe. Z urządzenia powinny korzystać wyłącznie wykwalifikowane osoby w profesjonalnych kuchniach. Urządzenia nigdy nie wolno pozostawiać włączonego bez nadzoru! Urządzenie

powinno raz w roku być poddane kontroli wykwalifikowanego serwisanta. W przypadku awarii lub nieprawidłowego działania urządzenie należy wyłączyć.

ZABUDOWA

Instalacja kuchni (rys. 1):

- oddzielnie od mebli (klasa 1)

- między dwoma meblami (klasa 2 – podklasa 1)

Zgodnie z przepisami bezpieczeństwa kuchnię należy zabudować tak, aby zagwarantować zabezpieczenie przed możliwym kontaktem z elementami elektrycznymi i przed przegrzaniem sąsiadują-

cych mebli. Zwracamy uwagę na to, że okładzina z tworzywa sztucznego i drewna fornirowego musi być przyklejona klejami odpornymi na temperaturę 120°C. Tworzywa sztuczne i kleje o gorszych właściwościach lub nie odporne na działanie gorąca mogą spowodować zdeformowanie powierzchni lub odklejenia okładziny.

PL

POMOC TECHNICZNA I ORYGINALNE CZĘŚCI ZAMIENNE

Przed opuszczeniem zakładu kuchnia została odebrana i nastawiona przez doświadczonych specjalistów, dzięki czemu gwarantuje doskonałe rezultaty. Wymagane naprawy i nastawienia muszą być przeprowadzane z największą starannością i uwagą. Należy stosować wyłącznie oryginalne części zamienne.

Z tego powodu należy zawsze zgłaszać się do sprzedawcy kuchni lub do naszego najbliższego punktu serwisowego, podając rodzaj usterki i model urządzenia. Części potrzebne do przystosowania do innego rodzaju gazu znajdują się w zakresie dostawy.

GWARANCJA

Każda usterka powodująca złe funkcjonowanie urządzenia, która ujawni się w ciągu jednego roku od zakupu, zostanie bezpłatnie usunięta lub urządzenie zostanie wymienione na inne, pod warunkiem, że było użytkowane i konserwowane zgodnie z instrukcją obsługi i nie było wykorzystywane do innych celów lub w jakiegokolwiek inny niewłaściwy sposób. Nie narusza to innych praw użytkownika, wynikających z przepisów prawa. W

przypadku korzystania z gwarancji, należy podać miejsce i czas zakupu urządzenia, dotychczas do niego dowód zakupu (np. paragon).

Zgodnie z naszą polityką ciągłego udoskonalania produktów zastrzegamy sobie prawo do wprowadzania zmian w produkcie, opakowaniu oraz specyfikacjach zawartych w dokumentacji bez uprzedniego powiadomienia.



WYCOFANIE Z UŻYTKOWANIA I OCHRONA ŚRODOWISKA

Po zakończeniu eksploatacji produktu nie wolno utylizować razem z odpadami komunalnymi, tylko należy odstawić do punktu odbioru odpadów elektrycznych i elektronicznych. Użytkownik ponosi odpowiedzialność za odstawienie wycofanego z użytkowania urządzenia do punktu utylizacji. Nieprzestrzeganie tej zasady może być karane zgodnie z lokalnie obowiązującymi przepisami dotyczącymi utylizacji odpadów. Jeśli urządzenie wycofane z użytkowania jest poprawnie odebrane jako osobny

odpad, może zostać przetworzone i zutylicowane w sposób przyjazny dla środowiska, co zmniejsza negatywny wpływ na środowisko i zdrowie. Aby uzyskać więcej informacji dotyczących dostępnych usług w zakresie odbioru odpadów, należy skontaktować się z lokalną firmą odbierającą odpady. Producent, importer oraz sprzedawca nie ponoszą odpowiedzialności za ponowne przetwarzanie, obróbkę i utylizację odpadów, ani bezpośrednio ani za pośrednictwem systemu publicznego.



Благодарим за покупку оборудования фирмы Hendi. Пожалуйста, внимательно ознакомьтесь с данной инструкцией по эксплуатации перед подключением оборудования с целью избежания повреждений, вызванных неправильным обслуживанием. Следует обратить особое внимание на правила безопасности

ПРАВИЛА ТЕХНИКИ БЕЗОПАСНОСТИ

- Неправильное обслуживание и несоответствующая эксплуатация могут стать причиной серьёзных повреждений оборудования и травм пользователей.
- Использовать оборудование исключительно по назначению. Производитель и/или Продавец не несёт ответственности за ущерб, причинённый вследствие неправильного обслуживания и несоответствующей эксплуатации оборудования.
- Необходимо принять необходимые меры для защиты оборудования и вилки кабеля питания от контакта с водой и другими жидкостями во время использования. В случае, если по неосторожности оборудование упадёт в воду, следует немедленно отключить вилку кабеля от сети электропитания, после чего связаться со специалистом с целью проверки исправности. Несоблюдение данной инструкции может быть опасно для жизни.
- Не открывать корпус оборудования самостоятельно.
- Не вставлять посторонних предметов в корпус оборудования.
- Не прикасаться к вилке кабеля питания влажными руками.
- Риск поражения током! Регулярно проверять состояние вилки и кабеля. В случае обнаружения повреждений вилки или кабеля передать оборудование на ремонт в специализированный ремонтный пункт.
- Никогда не использовать повреждённое оборудование! В случае повреждений по другим причинам, перед дальнейшим использованием следует обратиться в специализированный ремонтный пункт для проверки исправности или, при необходимости, ремонта оборудования.
- Предостережение! Не погружать электрические компоненты оборудования в воду и другие жидкости. Не держать оборудование под проточной водой.
- Не ремонтировать оборудование самостоятельно – это может быть опасно для жизни.
- Защитить кабель от контакта с острыми и горячими предметами, а также с открытым пламенем. Вынуть вилку из розетки, чтобы отключить оборудование от сети электропитания. Ни в коем случае не тянуть за кабель.
- Предохранить кабель (или удлинитель) от случайного отключения от сети электропитания, а также убедиться, что никто о него не споткнётся.

- Оборудование должно использоваться исключительно в целях, для которых оно было изначально спроектировано.
- Контролировать работу оборудования во время использования.
- Дети не осознают опасности от использования электрических устройств. Использование электрических устройств детям без присмотра строго запрещается.
- Отсоединить оборудование от сети электропитания, вынимая вилку из розетки, когда оборудование не используется, а также перед чисткой.
- Внимание! Если вилка кабеля подсоединена к сети электропитания, оборудование находится под напряжением.
- Выключить оборудование, прежде чем вынуть вилку из розетки.
- Не переносить оборудование, держа его за кабель питания.
- Не использовать других аксессуаров, кроме тех, которыми укомплектовано оборудование.
- Подключить оборудование можно только к сети электропитания, напряжение и частота которой соответствуют данным, указанным на паспортной табличке.
- Не допускать перегрузку.
- По окончании использования выключить оборудование, вынимая вилку из розетки.
- Перед наполнением и чисткой вынуть вилку из розетки.
- Электропроводка должна соответствовать государственным и местным требованиям.
- Запрещается использовать оборудование людям (в том числе детям) с ограниченными физическими, сенсорными и умственными возможностями, а также людям, которые не имеют соответствующих навыков и опыта, разве что это происходит под присмотром или в соответствии с инструкциями лица, ответственного за их безопасность.

ОСНОВНЫЕ ДАННЫЕ

- Необходимо внимательно ознакомиться с данной инструкцией, в которой содержатся важные указания по безопасной установке, эксплуатации и уходу за оборудованием. Инструкцию следует хранить в безопасном месте. Данная инструкция действительна только в странах, символы которых находятся на обложке инструкции, а также на паспортных табличках с техническими характеристиками оборудования.

- Любые действия по установке должны

производиться квалифицированным персоналом в соответствии с действующими нормами. Специальные указания для монтажника содержатся в ремарках, предназначенных для монтажников. При каждой переустановке или подключении к другому виду газа, следует опечатать данную аппаратуру.

- Для правильной работы оборудования следует обеспечить достаточную вентиляцию кухонного помещения, в котором будет установлено



оборудование (для этого монтажник обязан придерживаться действующих государственных законов и последующих поправок к ним); так, чтобы в помещение поступало такое количество воздуха, которое необходимо для регулировки сгорания и вентиляции помещения.

- Оборудование должно быть подключено к системе вытяжной вентиляции, которая в свою очередь должна быть подключена к дымоходу, вентиляционной решетке или с прямым выходом наружу. Если нет возможности установить вытяжку, разрешается использовать электрический вентилятор, установленный в окне или на внешней стене и при четком

соблюдении инструкции всегда будет запускаться вместе с плитой с целью вентиляции кухонного помещения (монтажник обязан придерживаться действующих государственных законов и последующих поправок к ним).

- Данная плита предназначена для эксплуатации внутри помещений жилых зданий домашнего и полупрофессионального использования.

- Для правильной работы оборудования следует чистить поверхность блоков розжига минимум раз в неделю. Для этого следует снять конфорку. Паспортная табличка с техническими характеристиками плиты (пример)

Технические характеристики

Производитель и продавец не несут ответственности за какие-либо неточности и опечатки, обусловленные копированием данной инструкции по эксплуатации. Согласно нашей политике постоянного совершенствования продуктов, мы оставляем за собой право вносить

изменения в продукт, упаковку и документацию без предупреждения.

Табличка «Технические характеристики» находится на задней панели оборудования.

RU

УСТАНОВКА

Установка плиты (рис. 1):

- отдельно от мебели (класс 1)
- между двумя предметами мебели (класс 2 – подкласс 1)

Согласно требованиям по безопасности, плиту следует установить так, чтобы предотвратить возможность контакта с электрическими элементами и перегрева мебели, находящейся возле плиты. Обращаем внимание, что облицовка из пластмассы и шпона должна быть приклеена

при помощи клея, устойчивого к температуре 120°C.

Пластмассы и клей с более низкими параметрами или не устойчивые к воздействию высокой температуры могут стать причиной деформации поверхности или отклеивания облицовки.

Следует обратить особое внимание, чтобы плита ни в коем случае не прилегала задней панелью к легковоспламеняющейся стене. Пространство под плитой должно быть свободным.

ИНСТРУКЦИЯ ДЛЯ МОНТАЖНИКА

Общие указания – При установке и эксплуатации любой электрической бытовой техники необходимо соблюдать несколько основных требований. Оборудование может быть

установлено исключительно авторизованным персоналом и в соответствии с действующими законодательными нормами. Любые действия по уходу и настройкам оборудования можно



выполнять только тогда, когда плита отключена от тока.

Совет: Использование газовых нагревательных элементов создает высокую температуру и влажность в помещении, в котором установлено оборудование. Для обеспечения необходимой циркуляции воздуха в помещении следует обеспечить естественное проветривание или установить вентилятор с отводным шлангом.

Место установки: Для правильной работы плиты с газовым нагревом необходимо обеспечить доступ воздуха для сгорания газа. (Монтажник обязан придерживаться действующих государственных законов и последующих поправок к ним). Воздух должен поступать в помещение непосредственно через отверстие, ведущее к внешней стене (рис. а). Эти отверстия должны иметь площадь свободного потока минимум 100 см² для доступа воздуха и минимум 100 см² для отвода продуктов сгорания. В случае если будет установлено другое газовое оборудование, площадь свободного потока должна быть соответственно увеличена. Отверстия должны быть размещены так, чтобы

Отвод продуктов сгорания – продукты сгорания из горелок должны быть отведены через вытяжку непосредственно до вытяжной дымовой трубы или непосредственно наружу. Вытяжка не может быть установлена ниже, чем 70 см от рабочей поверхности (рис. б). Также следует обеспечить минимальное расстояние от мебели или полок, установленных горизонтально над плитой. Если нет возможности установить вытяжку, разрешается использовать электрический вентилятор, подсоединенный непосредственно к окну или с выходом наружу. Однако, в помещении должны находиться отверстия

Перед первым включением духового шкафа следует вымыть его водой с чистящим средством и тщательно прополоскать. Установить боковые направляющие и вставить все возможные решетки. Затем включить плиту на максимальный нагрев и оставить на 2 часа, чтобы таким образом устранить запахи, которые могут появиться из-за тепловой изоляции и остатков смазки, которая использовалась при производстве плиты.

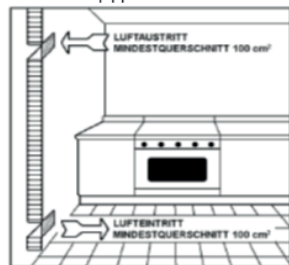
их нельзя было перекрыть как снаружи, так и изнутри. Отверстия для доступа воздуха лучше всего разместить в полу, а отверстия для отвода продуктов сгорания – сверху, на внешней стене. При отсутствии такой возможности в помещении, в котором устанавливается плита, необходимый воздух может быть проведен из соседнего помещения, при условии, что это не спальня, и не опасное помещение, и что в нем обеспечена соответствующая вентиляция. (Монтажник обязан придерживаться действующих государственных законов и последующих поправок к ним).

для доступа воздуха (Монтажник обязан придерживаться действующих государственных законов и последующих поправок к ним) – (рис. в). Мощность такого электрического вентилятора должна гарантировать 3-5-кратный высший воздухообмен в час в вентилируемом помещении.

Совет: Интенсивная и длительная эксплуатация плиты может требовать дополнительной вентиляции, напр., через открытое окно или при помощи более эффективного всасывающего механического оборудования.



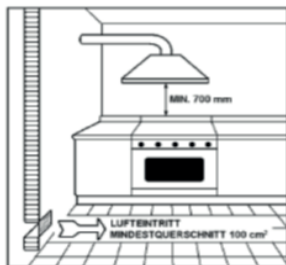
Выход воздуха
мин. площадь 100см²



Вход воздуха
мин. площадь 100см²

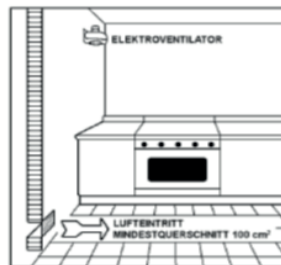
(рис а)

Электрический вентилятор



Вход воздуха
мин. площадь 100см²

(рис б)



Вход воздуха
мин. площадь 100см²

(рис в)

Остаточный риск

- Не допускать к плите персонал, который не был обучен соответствующим образом.
- Осторожно открывать дверцу, когда плита горячая, чтобы избежать выхода большого объема горячего воздуха, который может стать причиной ожогов.
- Плита оснащена электрическими компонентами, в связи с чем запрещается мыть ее прямым напором воды или пара.
- Для предотвращения неправильного подключения плиты, газовый шланг имеет ярлык, на котором указан необходимый вид газа.

- Плита оснащена электрическим кабелем: прежде чем приступить к чистке плиты, необходимо отключить ее от тока.
- Не использовать ручку дверцы для переноски плиты (стекло может треснуть).
- Подвижные части горелок, если были сняты с целью очистки, следует правильно установить на свои места, тем самым предотвращая неправильную или опасную работу плиты (поломки).

ПОДКЛЮЧЕНИЕ ПЛИТЫ К ГАЗОПРОВОДУ

Подключение плиты к газовому баллону или к газопроводу следует произвести в соответствии с действующими требованиями и нормами (Монтажник обязан придерживаться действующих государственных законов и последующих поправок к ним). Подключение к газопроводу необходимо произвести при помощи жесткой медной трубы или соответствующей для этой цели трубы из нержавеющей стали (Монтажник обязан придерживаться

действующих государственных законов и последующих поправок к ним). Газ поступает через резьбовые шланги G1/2". Следует убедиться, совместимо ли оснащение плиты с видом газа, к которому она будет подключена, соответствует ли установленное давление виду газа, к которому будет подключена плита. В случае несоответствия следует выполнить действия, описанные в разделе «Перенастройка печи на другой вид газа».



ВАЖНО – Следует убедиться, что давление газа соответствует значениям, указанным в таблице «параметры конфорки и жиклёров» (таблица 1-2). Если давление газа на входе не соответствует значению, указанному в таблице, следует устранить причину или связаться газовыми службами и прекратить эксплуатацию плиты. Подсоединение к жестким и эластичным металлическим трубам не может стать причиной перегрузки проводов плиты («рампа»).

ПОДКЛЮЧЕНИЕ ПЕЧИ К ЭЛЕКТРИЧЕСКОЙ СЕТИ

Перед подключением плиты следует убедиться, что:

- дифференциальный переключатель и электропроводка выдержат нагрузку плиты (смотри электрические параметры в таблице);
- Электропроводка оснащена эффективной системой заземления, соответствующей требованиям действующих норм;
- Круглая вилка для подключения к сети электропитания легко доступна.

При прямом подключении к сети следует, в соответствии с действующими нормами, между плитой и кабелем установить круглую вилку с минимальным отверстием 3 мм между проводами, подобрать размер, соответствующий нагрузке, а также, в соответствии с нормами, запрещается отключать от вилки заземляющий провод – желто-зеленый.

Подключение кабеля питания

Соединительная клемма находится на задней панели корпуса плиты. Открыть крышку соединительной клеммы, отверткой приподнимая два боковых крыла. Ослабить болт зажима кабеля и провести кабель. Кабель расположить таким образом, чтобы заземляющий провод, в случае если будет выниматься, вышел последним.

Подключить провод фазы к клемме, обозначенной «L», провод нуля к клемме, обозначенной «N», а заземляющий провод к клемме, обозначенной символом \perp . Закрепить зажимное кольцо кабеля и закрыть крышку соединительной клеммы. Плита должна быть подключена к эквипотенциальной

системе, эффективность которой следует проверить в соответствии с действующими нормами. Подключение между размык оборудованием должно быть произведено при помощи предусмотренного для этой цели зажима с символом \perp .

Минимальное сечение эквипотенциального провода должно составлять 10 мм². Эквипотенциальный зажим находится на задней панели корпуса плиты. При включенной плите разница между напряжением питания и номинальным напряжением не может превышать $\pm 10\%$.

Kabel zasilający musi charakteryzować się następującymi właściwościami:

Напряжение питания (В) = 220 – 230

Сечение кабеля = 3 x 1,5 mm²

Тип кабеля питания = H07RN-F



Защита от утечки газа

Плита оснащена тепловым выключателем, который гарантирует защиту от слишком высокой и опасной температуры, которая может непреднамеренно появиться в духовом шкафу. В

этом случае устройство включается и прерывает поступление тока к плите. Доступ к устройству возможен путем снятия задней панели корпуса плиты.

ПЕРЕНАСТРОЙКА ПЕЧИ НА ДРУГОЙ ВИД ГАЗА

Для перенастройки плиты на другой вид газа (смотри паспортную табличку или дополнительную маркировку), следует заменить жиклёры в пяти конфорках и отрегулировать доступ первичного воздуха при помощи соответствующих регуляторов. Для этого следует снять нагревательную панель, чтобы получить легкий доступ к конфорке, основаниям жиклёров и регуляторам первичного воздуха.

Снять с конфорки накладные и подвижные части. Жиклёр выкрутить при помощи специального торцевого ключа 7мм (рис. 2) и заменить на новый проверенный жиклёр (см. таблицу 1). Проверить в таблице 1 правильность диаметра, который указан на жиклёра.

После замены жиклёров обратно установить снятые элементы и в таблице «технические характеристики» указать новые данные.

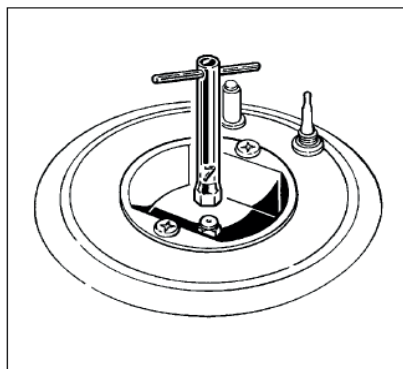


Рис. 2

Внимание: Конфорка не требует регулировки воздуха.

Минимальные установки

конфорки предназначены для метана (G20). В случае использования жидкого газа (G30/G31) следует действовать следующим образом: Конфорку включить на минимальную мощность и при помощи соответствующей отвертки полностью открутить регулировочный винт, которая находится на боковой части каждой

ручки регулировки мощности. Убедиться, что пламя стабильно и горит равномерно, также при повороте ручки регулировки от максимальной мощности к минимальной. После установки регулировочного винта на перемычке, следует запечатать ее красным лаком.

После появления пламени отпустить кнопку электрического розжига, а ручку регулировки мощности удерживать в течение следующих 6-8 секунд с целью запуска устройства защиты от утечки газа «В». Затем отпустить ручку регулировки мощности и установить в нужное положение.

Если пламя погаснет, запустится устройство

защиты от утечки газа «В» и автоматически перекроет клапан и доступ газа. Чтобы заново зажечь конфорки, следует установить ручки в положение выключения и по истечении 1 минуты повторить процесс розжига. Каждую конфорку можно использовать на максимальной, средней и минимальной мощности, регулируя мощность поворотом ручки между отметками

	Номинальный поток тепла (кВт)	Уменьшенный поток тепла (кВт)	Диаметр главного жиклёра (1/100мм)		Диаметр жиклёров винта на перемычке		Расход с расчетом на высшей тепловой мощности		
			G30/G31 30/37 мбар	G20 20 мбар	G30/G31 30/37 мбар	G20 20 мбар	G30 30мбар (г/ч)	G31 37мбар (г/ч)	G20 20мбар (г/ч)
Конфорка с тройным кольцом пламени нр. 1	3,5	1,8	95	135	74	указан	255	250	334
Средняя конфорка нр. 3	3	0,95	85	115	50	указан	218	214	286
Вспомогательная конфорка нр. 1	1,75	0,6	65	97	40	указан	127	125	167

Таблица 1

Давление питания в мбар			
Вид газа	Работа	Минимум	Максимум
G30	30	35	20
G31	37	45	25
G20	20	25	17

ИНСТРУКЦИЯ ПОЛЬЗОВАТЕЛЯ

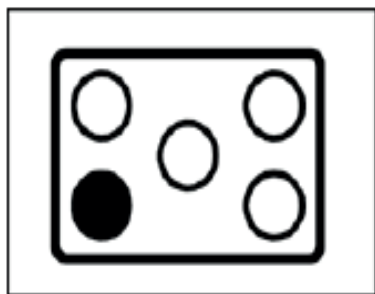
Нагревательная панель

Обслуживание нагревательной панели – На рисунке для каждой ручки регулировки мощности показаны 4 пустых и 1 закрашенный круг (рис.

6). Закрашенный круг показывает расположение газовой конфорки, которая регулируется при помощи данной ручки.

Электрический розжиг с устройством защиты от утечки газа

Конфорка оснащена электрическим блоком розжига «А» (рис. 7). Розжиг запускается при нажатии кнопки, обозначенной символом



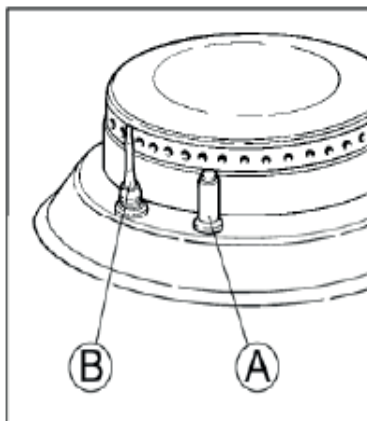
Чтобы зажечь конфорку, нажать кнопку блока розжига и одновременно нажать ручку регулировки мощности, повернуть ее против часовой стрелки и установить в положении (большое пламя/ искра розжига) .

Для правильной работы оборудования следует

чистить поверхность блоков розжига минимум раз в неделю. Для этого следует снять конфорку.



минимум и максимум.



Положения ручки обозначены следующим образом:

- положение «aus» (выключено)
- положение «максимум» (большое пламя/искра)
- положение «минимум» (малое пламя).

RU

Внимание: Посуда, которая ставится на конфорку нагревательной панели, не должна иметь выпуклого и вогнутого дна. Дно посуды должно быть плоское (рис. 8: ее диаметр должен составлять: 180 мм для вспомогательной конфорки (конфорка с правой стороны сзади); 220 мм для средней конфорки (конфорка с левой стороны сзади – спереди с левой и правой

сторонами); 240 мм для конфорки с тройным кольцом пламени (средняя конфорка).

Вспомогательная конфорка оснащена редуцирующей решеткой, на которую можно ставить кастрюли диаметром 120 мм и меньше.

Не рекомендуется слишком длительное использование утюжницы и подобной посуды.

Во время работы конфорки слишком высокая температура решетки может повредить эмаль.

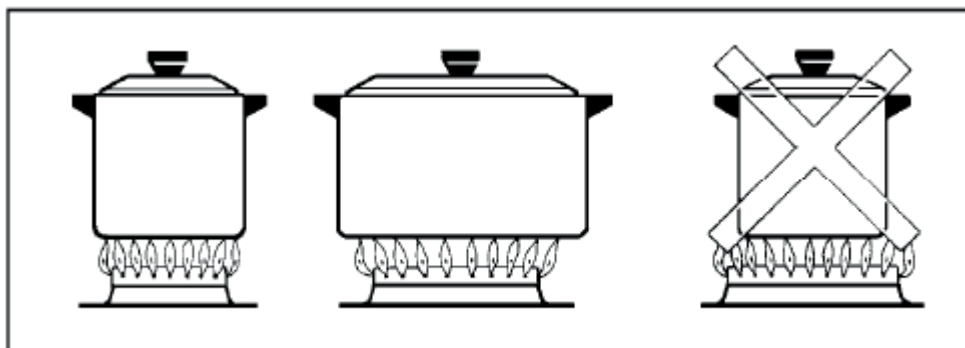
ПРОГРАММИРОВАНИЕ «КОНЕЦ ВЫПЕЧКИ»

- Полуавтоматическая работа – можно установить время выпечки до 120 минут. Поворотную ручку программатора повернуть и установить на нужное время выпечки. Программа работает. По истечении времени выпечки

духовой шкаф выключится автоматически.

- Ручное управление – Духовой шкаф можно использовать также без установки времени выпечки. Просто установить ручку программатора в положение (ручное управление).









- Индикатор термостата камеры духового шкафа – гаснет, когда духовой шкаф достигнет установленной температуры. Загорается в момент запуска термостата для того, чтобы снова достичь установленной температуры.

- Внутреннее освещение – Включенный духовой шкаф всегда освещен.

- Когда духовой шкаф выключен, для удобной

<p>Рис. 9</p>	<p>ПРОГРАММАТОР – РУЧКА РЕГУЛИРОВКИ МОЩНОСТИ (рис. 9)</p> <p>Работает посредством переключателя и позволяет включить оборудование.</p>	<p>Символы</p> <p> = ручное управление</p>
<p>Рис. 10</p>	<p>Переключатель программ / Регулировка термостата рис. 10</p> <p>Позволяет выбрать различные виды нагрева в зависимости от вида выпечки и регулирует температуру внутри духового шкафа согласно выбранному значению</p>	<p> = внутренне освещение</p> <p> = разморозка</p> <p> = нагрев гриль (в это время не работает вентилятор)</p>

RU

чистки следует повернуть ручку положение

ВЫПЕЧКА – Прежде чем поместить блюдо в духовой шкаф следует нагреть его до нужной температуры. Когда духовой шкаф нагрет до соответствующей температуры, вставить блюдо и проверить время выпечки. За 5 минут до окончания установленного времени выключить духовой шкаф и таким образом

использовать оставшееся тепло.

Примеры выпечки при предварительно нагретом духовом шкафе:

Использование гриля

Во время использования гриля дверца должна быть закрыта. Выпекаемое мясо или рыбу смазать маслом и класть на решетку, которая, в зависимости от толщины выпекаемого блюда, находится ближе или дальше от нагревательного элемента, чтобы избежать подгорания снаружи и сырого блюда внутри. Добавление 1-2 стаканов

воды на противень для сбора жира позволит избежать образования дыма от сгорания стекающего жира. Во время использования гриля противень для сбора жира всегда следует устанавливать на нижний уровень духового шкафа.

Выпечка с конвекцией

Блюдо	Температура °С	Время выпечки (мин.)
Фаршированные Каннелони	160	20
Фенхель фаршированный яйцами	200	25
Лазанья	170	45
Макаронная запеканка	180	22
Рис по-креольски	190	90
Печеная ягнятина	200	90
Утка	100	220
Печеная свинина	200	110
Тушеная говядина	220	180
Печеная курица	200	100
Рыба (1/2 кг)	200	20
Пирог с персиками	180	60
Шоколадный пирог	200	40
Яблочный пирог	180	55
Пирог без фруктов	180	50
Эклер (Bigné)	200	20
Штрудель (1 этап)	200	20
Штрудель (2 этап)	180	45

Установить ручку регулировки (рис. 10) на нужную температуру.

Гриль

Повернуть ручку на символ . Гриль всегда следует использовать при закрытой дверце. Во время этой программы вентилятор конвекции не работает.

Разморозка

Повернуть ручку на символ



ВНИМАНИЕ

Прежде чем приступить к каким-либо работам следует отключить плиту от источника тока. Убедиться, что газовый клапан закрыт и при

необходимости подождать, пока плита полностью остынет.

Конфорки

Решетки и элементы из благородной стали мыть теплой водой с добавлением мыла и вытереть мягкой тряпкой. Не использовать никаких абразивных и едких средств. Для трудновыводимых пятен использовать

традиционные моющие средства (не абразивные) с добавлением небольшого количества теплого уксуса. Блеск благородной стали можно сохранить, используя доступные в продаже средства.

Конфорки / духовой шкаф

Решетки и элементы из благородной стали мыть теплой водой с добавлением мыла и вытереть мягкой тряпкой. Не использовать никаких абразивных и едких средств. Для трудновыводимых пятен использовать

традиционные моющие средства (не абразивные) с добавлением небольшого количества теплого уксуса. Блеск благородной стали можно сохранить, используя доступные в продаже средства.

Духовой шкаф

Из гигиенических соображений и для обеспечения оптимальной работы духового шкафа следует чистить его после каждого использования; благодаря этому легче устранить остатки выпечки и предотвратить их пригорания. Дверца духового шкафа

во время следующего использования духового шкафа.

Плиту следует мыть, пока она еще теплая. Использовать для этого теплую воду и моющее средство, затем тщательно вытереть и высушить

Во время тщательной чистки духового шкафа следует снять дверцу. Действовать следующим образом:

- Полностью открыть дверцу;
- В соответствующих местах на петлях зацепить кольца «А» (рис. 13) ;
- Слегка приподнять и снять дверцу (рис. 14).

Замена лампочки внутреннего освещения духового шкафа – Отключить плиту от источника тока.

Выкрутить лампочку и вкрутить новую, термостойчивую (300°C). Она должна соответствовать следующим



параметрам:
Напряжение: 230/240 В
Мощность: 25 Вт

Резьба: E 14
Обратно надеть стеклянный корпус лампочки и подключить плиту к источнику тока.

ВАЖНО – Настоятельно рекомендуется, чтобы по крайней мере раз в год

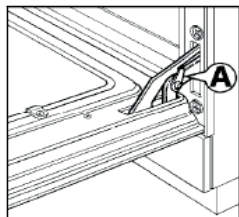


Fig. 13

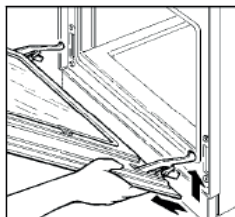


Fig. 14

электрическое и газовое оборудование проходило осмотру квалифицированного специалиста. Производитель не берет на себя никакой ответственности за непосредственный и посредственный ущерб, причиной которого является неправильное использование, установка и уход, а также другие факторы, приведенные в наших коммерческих условиях.

RU

SCHEMAT IDEOWY

ТЕХНИЧЕСКАЯ ПОДДЕРЖКА И ОРИГИНАЛЬНЫЕ ЗАПАСНЫЕ ЧАСТИ

Перед выходом с завода плита была проверена и настроена опытными специалистами, благодаря чему гарантирован безупречный результат.

Необходимый ремонт и настройки должны производиться старательно и внимательно. Следует использовать только оригинальные

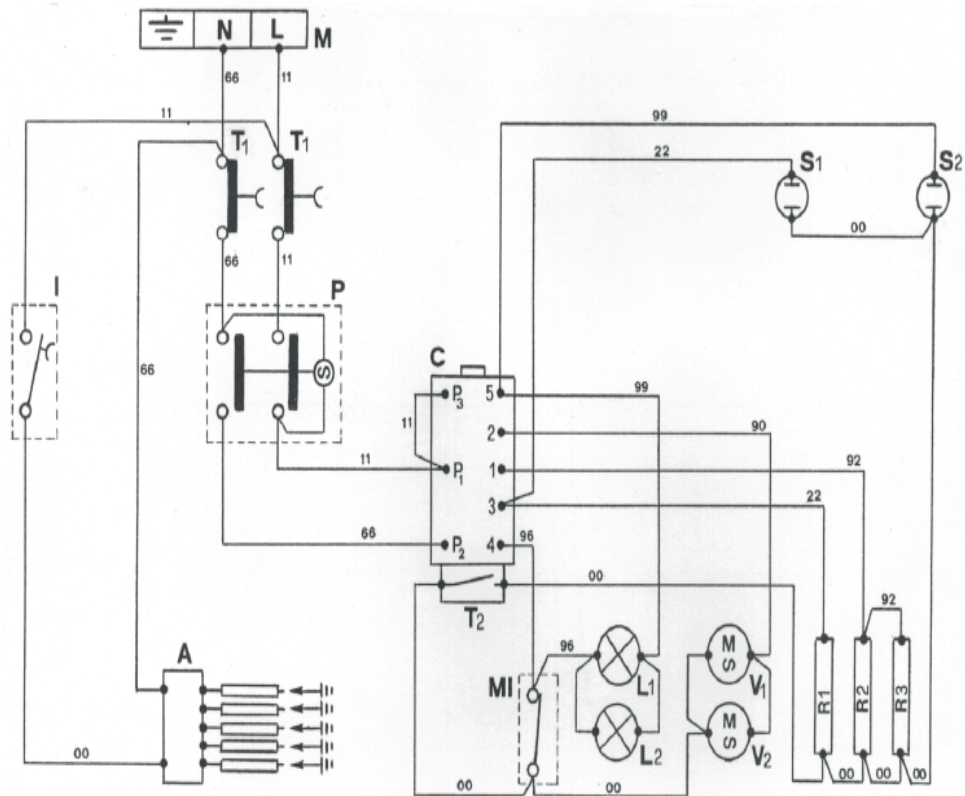


запасные части.

Поэтому следует всегда обращаться к продавцу

центр, сообщая подробности повреждения и

модель плиты. Запасные части. необходимые



M	Соединительные клеммы электрических проводов	V1-V2	Электрический <u>радиальный вентилятор</u>
P _r	Программирование времени выпечки	R1-R2	Круглые нагревательные элементы
T1	Термостат безопасности	R3	Нагревательный элемент – гриль
T2	Поворотная ручка термостата	S1	Лампочка индикатора гриля
IA	Кнопочный переключатель	S2	Лампочка индикатора термостата
A	Включатель		
MI	Микровыключатель дверцы		
C	Поворотная ручка программатора духового шкафа		
L1-L2	Внутреннее освещение духового шкафа		

плиты или в наш ближайший сервисный

для перенастройки плиты на другой вид газа,



поставляются в комплекте с плитой.

ГАРАНТИЯ

Любые дефекты и неисправности, влияющие на работу оборудования, выявленные в течение одного года со дня покупки, будут устранены посредством бесплатного ремонта или замены на новое при условии, что оборудование использовалось по назначению, а эксплуатация и уход за ним происходили согласно инструкции. Гарантия не нарушает других прав потребителя, предусмотренных законодательством. Для того,

чтобы воспользоваться гарантией, необходимо сообщить место и время покупки оборудования, приложить к нему документ, подтверждающий покупку (напр., чек).

Согласно нашей политике постоянного развития и улучшения продуктов, мы оставляем за собой право вносить изменения в продукт, упаковку и техническую документацию без предупреждения.

ВЫВОД ИЗ ЭКСПЛУАТАЦИИ И ОХРАНА ОКРУЖАЮЩЕЙ СРЕДЫ

После окончания периода эксплуатации запрещается утилизировать продукт вместе с коммунальными отходами. Его следует доставить в пункт приема электронных и электрических отходов. Пользователь несет ответственность за доставку непригодного для использования оборудования в пункт утилизации. Несоблюдение этого требования карается согласно действующим нормам по утилизации отходов. Если непригодное для использования оборудование передано как отдельный мусор, оно может быть

переработано и утилизировано без нанесения значительного ущерба окружающей среде, что уменьшает негативное влияние на окружающую среду и здоровье. Для получения более полной информации на тему услуг по утилизации отходов следует связаться с местной фирмой, утилизирующей отходы. Производители и импортеры не несут ответственность за переработку и утилизацию отходов, как непосредственно, так и посредством публичных структур.



Hendi B.V.

Steenoven 21
3911 TX Rheden, The Netherlands
Tel: +31 (0)317 681 040
Email: info@hendi.eu

Hendi Polska Sp. z o.o.

ul. Magazynowa 5
62-023 Gądkki, Poland
Tel: +48 61 6587000
Email: info@hendi.pl

Hendi Food Service Equipment GmbH

Gewerbegebiet Ehring 15
5112 Lamprechtshausen, Austria
Tel: +43 (0) 6274 200 10 0
Email: office.austria@hendi.eu

Hendi UK Ltd.

Central Barn, Hornby Road
Lancaster, LA2 9JX, United Kingdom
Tel: +44 (0)333 0143200
Email: sales@hendi.co.uk

Hendi Food Service Equipment Romania Srl

Str. 13 decembrie 94A, Hala 14
Braşov, 500164, Romania
Tel: +40 268 320330
Email: office@hendi.ro

PKS Hendi South East Europe SA

5 Metsovou Str.
18346 Moschato, Athens, Greece
Tel: +30 210 4839700
Email: office.greece@hendi.eu

Hendi HK Ltd.

1208, 12/F Exchange Tower
33 Wang Chiu Road, Kowloon Bay, Hong Kong
Tel: +852 2154 2618
Email: info-hk@hendi.eu

Find Hendi on internet:

www.hendi.eu
www.facebook.com/HendiFoodServiceEquipment
www.linkedin.com/company/hendi-food-service-equipment-b.v.
www.youtube.com/HendiEquipment

- Changes, printing and typesetting errors reserved.
- Änderungen und Druckfehler vorbehalten.

- Producătorul este responsabil pentru toate erorile de tipărire și
de traducere din textul original.
- Με επιφύλαξη αλλαγών, λαθών εκτύπωσης και στοιχειοθεσίας.