

Drawing



Tools for Chefs

Hendi B.V.

Steenoven 21
3911 TX Rhenen
The Netherlands

Batch #

403143 until
662995

Appliance part#

225264

Description

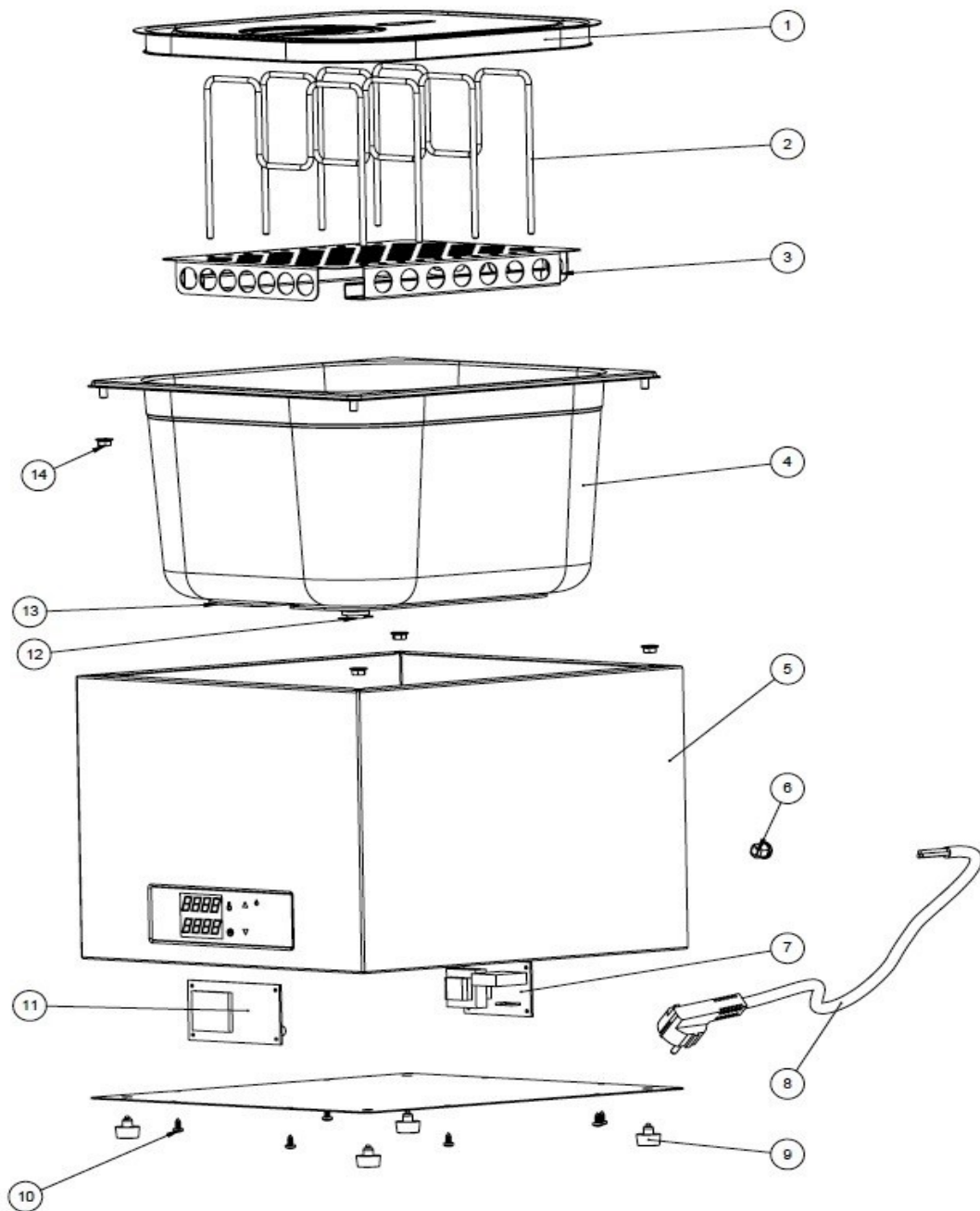
Sous-vide System GN $\frac{2}{3}$

Date 18-03-2020


Revision #

1.0

Revision First Bill of Materials (BOM)



Bill of materials (BOM)

 <b style="font-size: 24px; margin-left: 10px;">HENDI Tools for Chefs Hendi B.V. Steenoven 21 3911 TX Rhenen The Netherlands	Batch #	Appliance part#
	403143 until 662995	225264
	Description	
Sous-vide System GN 2/3		


Date	18-03-2020	Revision #	1.0
Revision	First Bill of Materials (BOM)		

Item	Description	Part#	Quantity	Remark	Picture
1	Lid GN2/3 with silicone rim	804018	1		
2	Bow grid	931059	4		
3	Bottom grid plate	935330	1	Incl. 4 pcs bow grid 931059	
4	Bin incl. element	n/a	1		
5	Frame	n/a	1		
6	Pull relief	931066	1		
7	Main pcb	nss	1	Available as 935347	
8	Powercord	205303	1		
9	Feet	935354	4		
10	Sheet metal screw	n/a	8		
11	Display pcb	935347	1	Incl item 7	
12	Clixon 150°C	930496	2		
13	Element 400W	n/a	1		
14	Flange nut M6	n/a	4		

n/a -> not available

nss -> not sold separately

Wiring diagram

 <b style="font-size: 2em; margin-left: 10px;">HENDI Tools for Chefs Hendi B.V. Steenoven 21 3911 TX Rhenen The Netherlands	Batch #	Appliance part#
	403143 until 662995	225264
	Description	
	Sous-vide System GN 2/3	

Date	18-03-2020	Revision #	1.0
Revision	First Bill of Materials (BOM)		

