

Drawing



Tools for Chefs

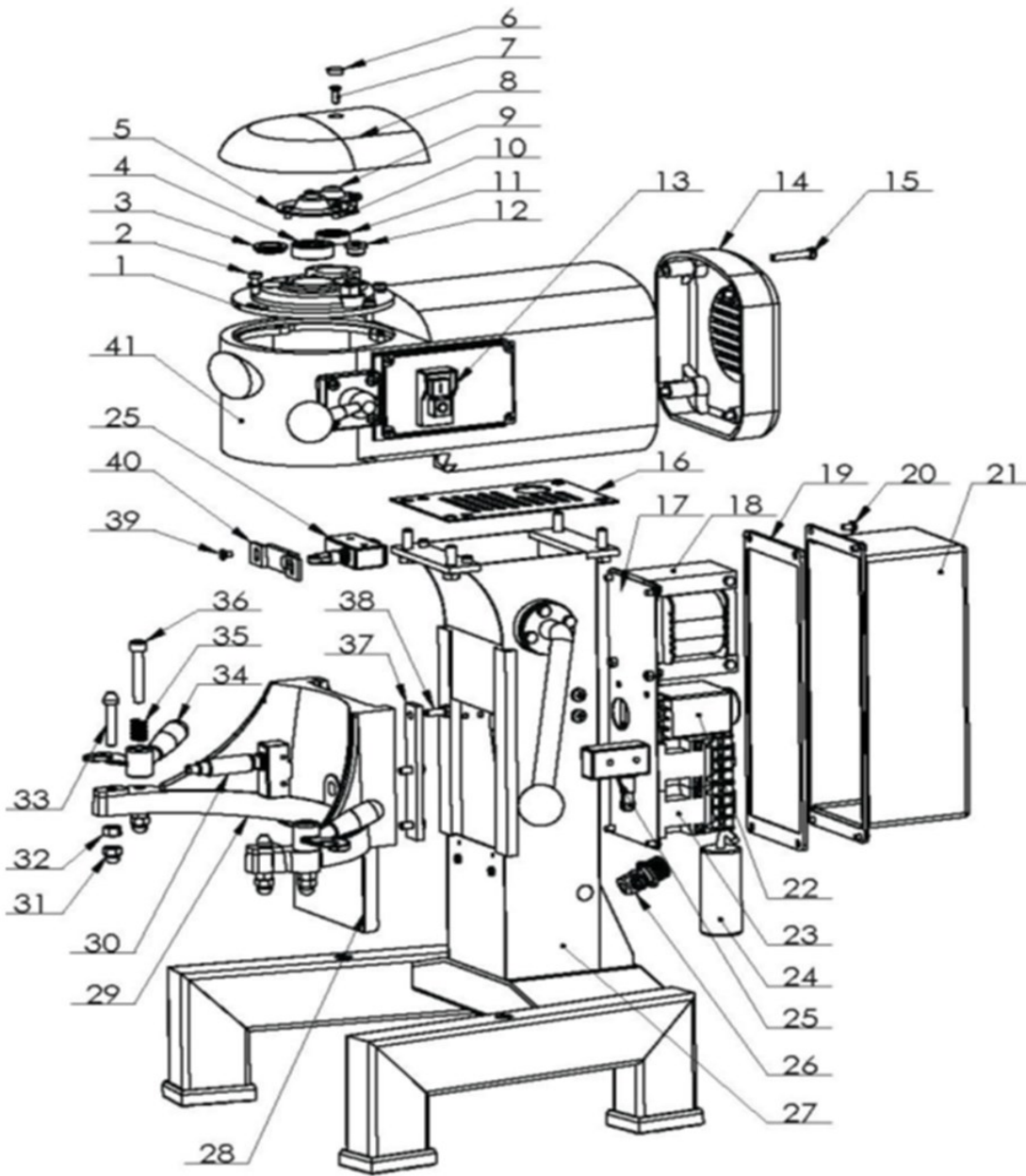
Hendi B.V.
 Steenoven 21
 3911 TX Rhenen
 The Netherlands

Batch #	Appliance part#
HK170154 until HK091020	222836


Description
Heavy duty mixer 10L

Date	19-03-2021	Revision #	1.0
Revision	First Bill of Materials (BOM)		

Transmission case



Bill of materials (BOM)

 <p>Hendi B.V. Tools for Chefs Steenoven 21 3911 TX Rhenen The Netherlands</p>	Batch #	Appliance part#
	HK170154 until HK091020	222836
	Description	
Heavy duty mixer 10L		

Date	19-03-2021	Revision #	1.0
Revision	First Bill of Materials (BOM)		

Item	Description	Part#	Quantity	Remark	Picture
1	Bearing cover	n/a	1		
2	Screw (M6X16)	n/a	4		
3	Cover	n/a	1		
4	Bearing 6202	n/a	1		
5	Center cover	n/a	1		
6	Cover	n/a	2		
7	Screw (M5X16)	n/a	1		
8	Top cover	n/a	1		
9	Cover	n/a	1		
10	Screw (M5X8)	n/a	5		
11	Bearing 6001	n/a	1		
12	Cover	n/a	1		
13	Power switch	947180	1		
14	Rear cover	n/a	1		
15	Screw (M6X35)	n/a	4		
16	Vented cover	n/a	1		
17	Electrical board	n/a	1		
18	Transformer	944530	1		
19	Back cover seal	n/a	1		
20	Screw (M5X8)	n/a	4		
21	Back cover	n/a	1		
22	Timer relais	944547	1		
23	Relais	944523	2		
24	Capacitor	944509	1		
25	Microswitch (bowl guard)	944516	3		
26	Pull relief	n/a	1		
27	Housing pillar	n/a	1		
28	Bowl cradle bracket	n/a	1		
29	Bowl cradle complete	959480	1		
30	Microswitch (bowl placment)	959497	1		
31	Domed nut (M8)	n/a	2		
32	Nut (M8)	n/a	4		
33	Pin	n/a	2		
34	Handle	n/a	2		
35	Spring	n/a	2		
36	Screw (M8X60)	n/a	2		
37	Bowl cradle clamp	n/a	2		
38	Screw (M6X16)	n/a	6		
39	Screw (M4X8)	n/a	2		
40	Microswitch bracket	n/a	2		
41	Motor housing	n/a	1		
42	Hi-limiter	959503	1		

n/a -> not available

nss -> not sold separately

Drawing



Tools for Chefs

Hendi B.V.

Steenoven 21
3911 TX Rhenen
The Netherlands

Batch #

HK170154 until
HK091020

Appliance part#

222836

Description

Heavy duty mixer 10L

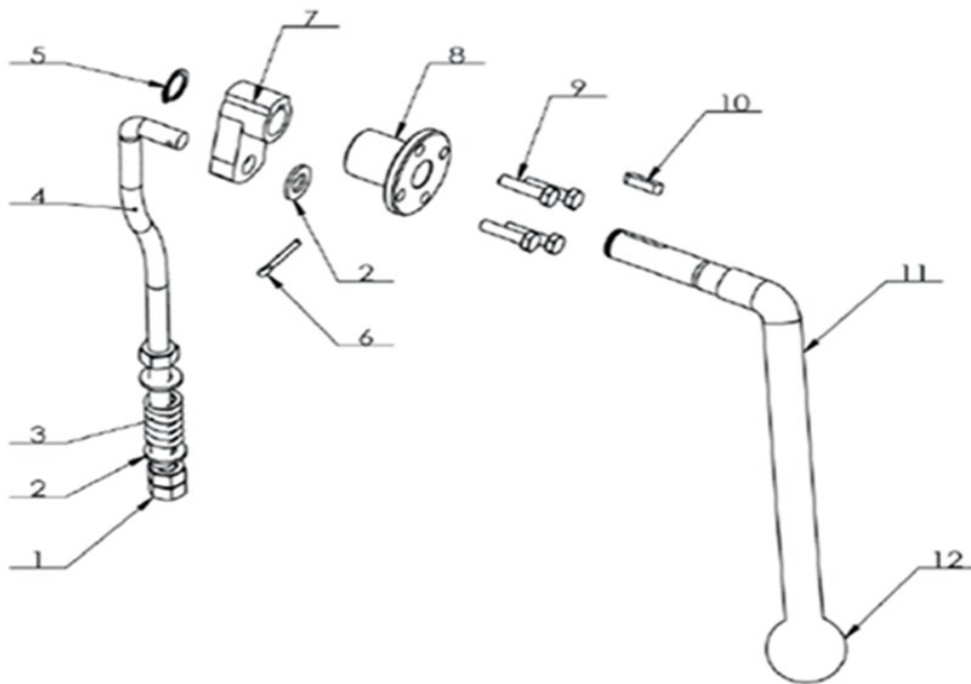
Date 19-03-2021

Revision #


1.0

Revision First Bill of Materials (BOM)

Hand grip type bowl lifter unit



Bill of materials (BOM)

 <b style="font-size: 24px; margin-left: 10px;">HENDI <small style="color: green; margin-left: 10px;">Tools for Chefs</small> Hendi B.V. Steenoven 21 3911 TX Rhenen The Netherlands	Batch #	Appliance part#
	HK170154 until HK091020	222836
	Description	
Heavy duty mixer 10L		

Date	19-03-2021	Revision #	1.0
Revision	First Bill of Materials (BOM)		

Item	Description	Part#	Quantity	Remark	Picture
1	Nut (M10)	n/a	3		
2	Washer	n/a	3		
3	Spring	n/a	1		
4	Lift bar	n/a	1		
5	Circlip Ø16	n/a	1		
6	Cotter pin	n/a	1		
7	Crank wheel	n/a	1		
8	Handle connector	n/a	1		
9	Screw (M6X25)	n/a	4		
10	Key (5X20)	n/a	1		
11	Handle	n/a	1		
12	Plastic ball	n/a	1		

n/a -> not available

nss -> not sold separately

Drawing



Tools for Chefs

Hendi B.V.
Steenoven 21
3911 TX Rhenen
The Netherlands

Batch #

HK170154 until
HK091020

Appliance part#

222836

Description

Heavy duty mixer 10L

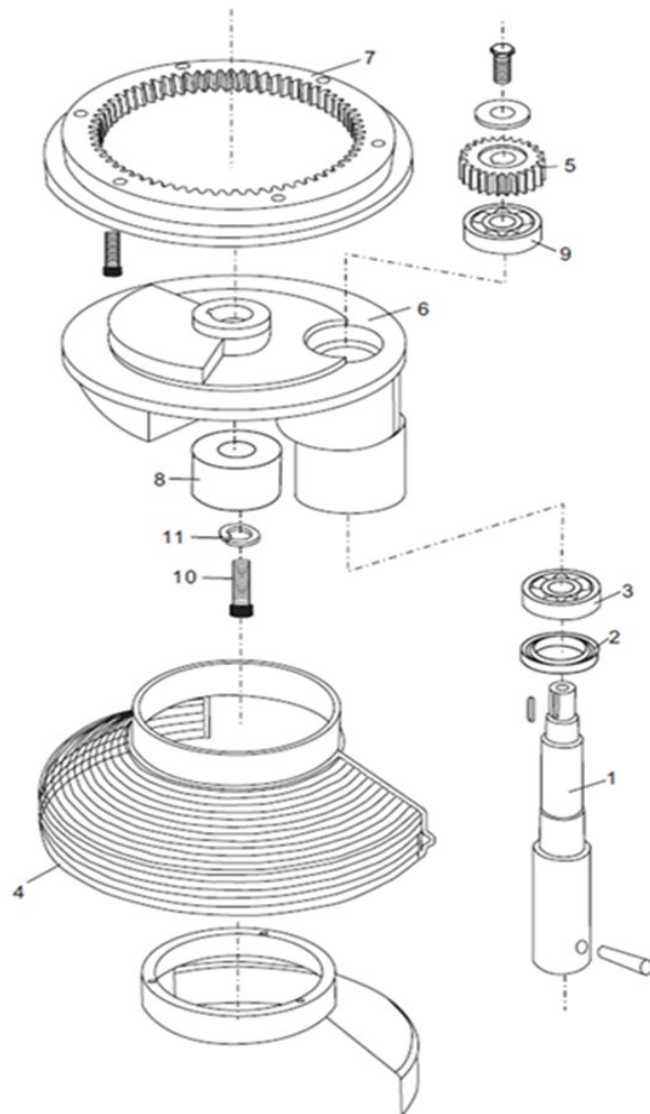
Date 19-03-2021

Revision #


1.0

Revision First Bill of Materials (BOM)

Turning plate and mixing axle



Bill of materials (BOM)

 <b style="font-size: 24px; margin-left: 10px;">HENDI <small style="color: green; margin-left: 10px;">Tools for Chefs</small> Hendi B.V. Steenoven 21 3911 TX Rhenen The Netherlands	Batch #	Appliance part#
	HK170154 until HK091020	222836
	Description	
Heavy duty mixer 10L		

Date	19-03-2021	Revision #	1.0
Revision	First Bill of Materials (BOM)		

Item	Description	Part#	Quantity	Remark	Picture
1	Drive axle	944554	1	Also available as	
2	Oil seal	nss	1	Available as	
3	Bearing (6003)	nss	1	Available as	
4	Bowl guard	959510	1		
5	Gear	nss	1	Available as	
6	Turning plate	nss	1	Available as	
7	Inner gear	959527	1		
A	Turning plate complete	959534	1	Incl. item 1,2,3,5,6 and 9	
8	Turnplate cover	n/a	1		
9	Bearing (6203)	nss	1	Available as	
10	Screw (M8X20)	n/a	1		
11	Washer	n/a	1		

n/a -> not available

nss -> not sold separately

Drawing



Tools for Chefs

Hendi B.V.

Steenoven 21
3911 TX Rhenen
The Netherlands

Batch #

HK170154 until
HK091020

Appliance part#

222836

Description

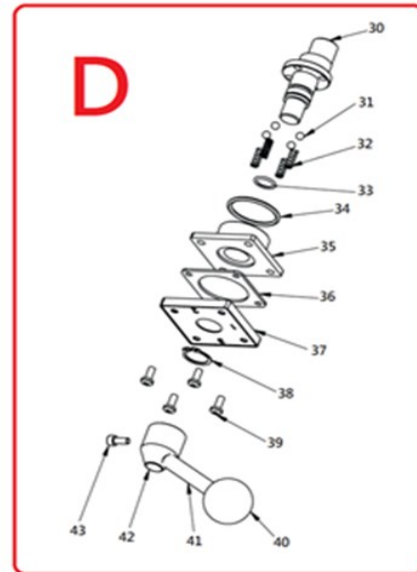
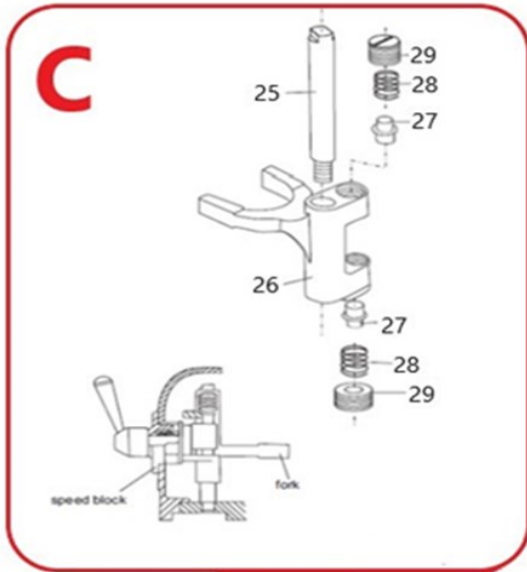
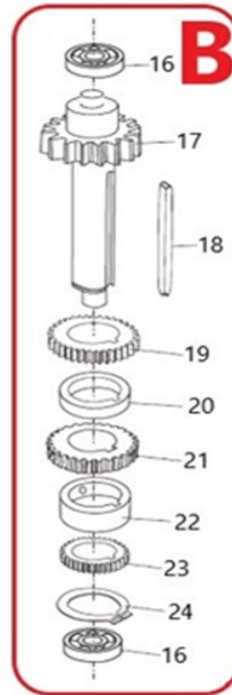
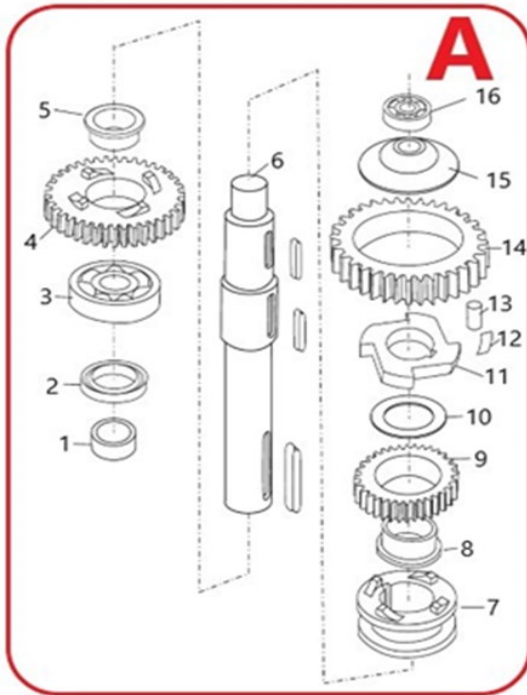
Heavy duty mixer 10L

Date 19-03-2021


Revision #

1.0

Revision First Bill of Materials (BOM)



Bill of materials (BOM)

 <b style="font-size: 24px; margin-left: 10px;">HENDI Tools for Chefs Hendi B.V. Steenoven 21 3911 TX Rhenen The Netherlands	Batch #	Appliance part#
	HK170154 until HK091020	222836
	Description	
Heavy duty mixer 10L		

Date	19-03-2021	Revision #	1.0
Revision	First Bill of Materials (BOM)		

Item	Description	Part#	Quantity	Remark	Picture
1	Cover	nss	1		
2	Oil seal	nss	1		
3	Bearing (6204)	nss	1		
4	Coupler gear	nss	1		
5	bearing	nss	1		
6	Central axle	nss	1		
7	Coupler	nss	1		
8	bearing	nss	1		
9	Gear ring (small)	nss	1		
10	Divider ring	nss	1		
11	Actuator	nss	1		
12	Spring	nss	8		
13	Roller	nss	4		
14	Gear ring (large)	nss	1		
15	Cover	nss	1		
16	Bearing (6001)	nss	3		
17	High speed gear axle	nss	1		
18	Key (5X58)	nss	1		
19	Gear (top)	nss	1		
20	Stand-off (small)	nss	1		
21	Gear (lower)	nss	1		
22	Stand-off (large)	nss	1		
23	Gear (bottom)	nss	1		
24	Circlip	nss	1		
25	Clutch fork axle	nss	1		
26	Clutch fork	nss	1		
27	Pin	nss	2		
28	Spring	nss	2		
29	Screw	nss	2		
30	Speed axle	nss	1		
31	Steel ball	nss	4		
32	Spring	nss	4		
33	O-ring (18X2)	nss	1		
34	O-ring (42X3.1)	nss	1		
35	Speed block	nss	1		
36	Speed block seal	nss	1		
37	Speed indicator	nss	1		
38	Circlip Ø20	nss	1		
39	Screw (M5X12)	nss	4		
40	Plastic ball	nss	1	Available as 951552	
41	Handle	951552	1		
42	Handle bracket	nss	1		
43	Screw (M6X10)	nss	1		
A	Central axle assembly	959541	1	Incl. item 1~16	
B	High speed gear axle assembly	959558	1	Incl. item 16~24	
C	Clutch fork assembly	959565	1	Incl. item 26~29	
D	Speed block assembly	959572	1	Incl. item 30~43	

n/a -> not available

nss -> not sold separately

Drawing



Tools for Chefs

Hendi B.V.
 Steenoven 21
 3911 TX Rhenen
 The Netherlands

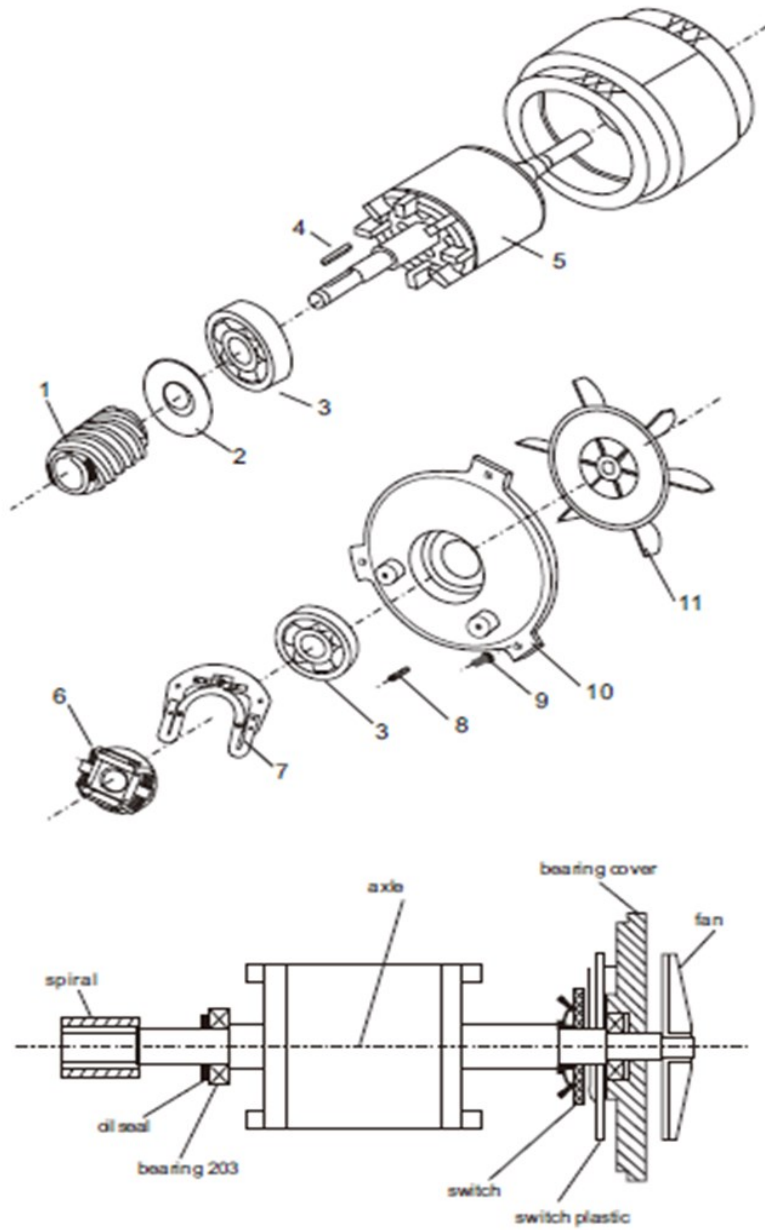
Batch #
 HK170154 until
 HK091020

Appliance part#
222836


Description
 Heavy duty mixer 10L

Date	19-03-2021	Revision #	1.0
Revision	First Bill of Materials (BOM)		

Motor unit



Bill of materials (BOM)

 <b style="font-size: 24px; margin-left: 10px;">HENDI Tools for Chefs Hendi B.V. Steenoven 21 3911 TX Rhenen The Netherlands	Batch #	Appliance part#
	HK170154 until HK091020	222836
	Description	
Heavy duty mixer 10L		

Date	19-03-2021	Revision #	1.0
Revision	First Bill of Materials (BOM)		

Item	Description	Part#	Quantity	Remark	Picture
1	Worm wheel	nss	1		
2	Oil seal	nss	1		
3	Bearing	nss	2		
4	Key (4X22)	nss	1		
5	Rotor incl. axle	nss	1		
6	Switch	nss	1		
7	Switch plate	nss	1		
8	Screw (M4X8)	nss	2		
9	Screw (M6X16)	nss	2		
10	Bearing cover	nss	1		
11	Fan blade	nss	1		
A	Motor assembly	959589	1	Incl. item 1~11	

n/a -> not available

nss -> not sold separately

Drawing



Tools for Chefs

Hendi B.V.

Steenoven 21
3911 TX Rhenen
The Netherlands

Batch #

HK170154 until
HK091020

Appliance part#

222836

Description

Heavy duty mixer 10L

Date 19-03-2021

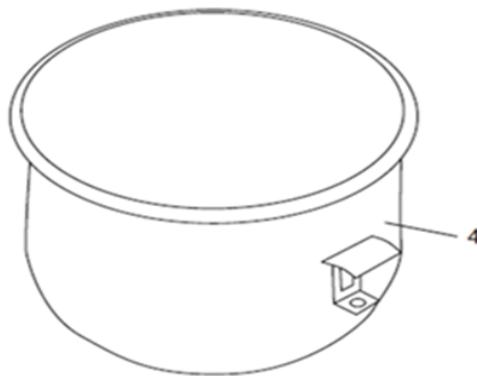
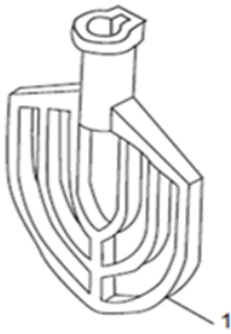
Revision #

1.0


Revision

First Bill of Materials (BOM)

Standard accessories



Bill of materials (BOM)

 <b style="font-size: 24px; margin-left: 10px;">HENDI <small style="color: green; margin-left: 10px;">Tools for Chefs</small> Hendi B.V. Steenoven 21 3911 TX Rhenen The Netherlands	Batch #	Appliance part#
	HK170154 until HK091020	222836
	Description	
Heavy duty mixer 10L		


Date	19-03-2021	Revision #	1.0
Revision	First Bill of Materials (BOM)		

Item	Description	Part#	Quantity	Remark	Picture
1	Beater	944561	1		
2	Dough hook	944578	1		
3	Whisk	944585	1		
4	Stainless steel bowl	944592	1		

n/a -> not available

nss -> not sold separately

Circuit diagram

 <b style="font-size: 2em; margin-left: 10px;">HENDI Tools for Chefs Hendi B.V. Steenoven 21 3911 TX Rhenen The Netherlands	Batch #	Appliance part#
	HK170154 until HK091020	222836
	Description	
	Heavy duty mixer 10L	

Date	19-03-2021	Revision #	1.0
Revision	First Bill of Materials (BOM)		

