

Drawing



Tools for Chefs

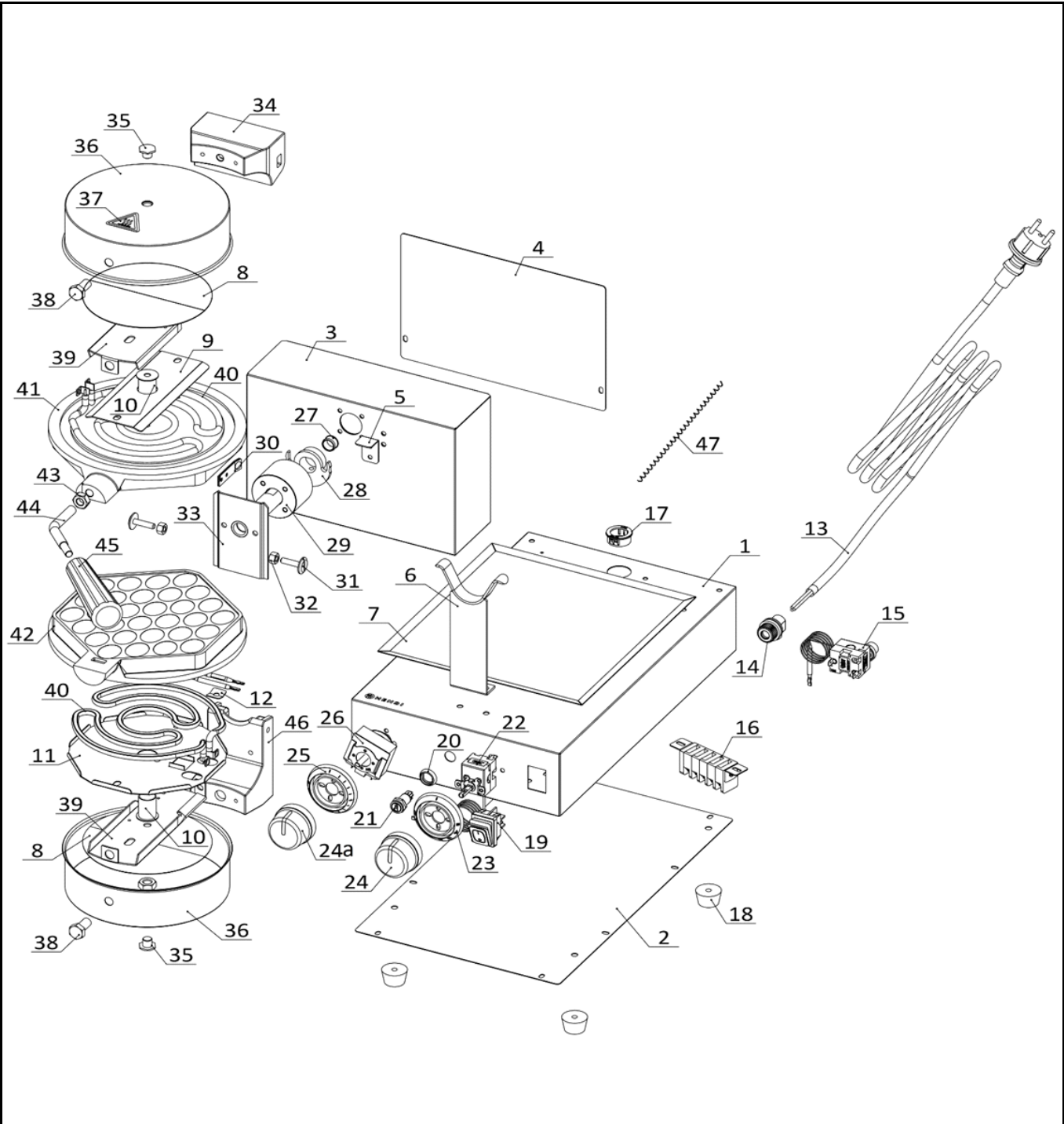
Hendi B.V.  
 Innovatielaan 6  
 6745 XW De Klomp  
 The Netherlands

Batch #  
 000000 and up


Appliance part#  
 212196

Description  
 Bubble waffle maker

Date	08-07-2024	Revision #	V.01
Revision	First Bill of Materials (BOM)		



### Bill of materials (BOM)

 <p><b>Hendi B.V.</b>                  Innovatielaan 6                  6745 XW De Klomp                  The Netherlands</p> <p style="font-size: small; color: green;">Tools for Chefs</p>	<b>Batch #</b>	<b>Appliance part#</b>
	000000 and up	<b>212196</b>
	<b>Description</b>	
<b>Bubble waffle maker</b>		


<b>Date</b>	08-07-2024	<b>Revision #</b>	V.01
<b>Revision</b>	First Bill of Materials (BOM)		

Item	Description	Part#	Quantity	Remark	Picture
1	Base	n/a	1		
2	Housing panel (bottom)	n/a	1		
3	Housing (back)	n/a	1		
4	Housing panel (back)	n/a	1		
5	Bracket	n/a	1		
6	Bake plate support	n/a	1		
7	Crumb tray	965948	1		
8	Mica plate	n/a	2		
9	Heating element bracket	n/a	1		
10	Hight limiter	n/a	2		
11	Heating element bracket	n/a	1		
12	Thermostat bracket	n/a	1		
13	Power cord	912027	1		
14	Pull relief	912201	1		
15	Hi-limiter	965955	1		
16	Terminal	959152	1		
17	Grommit	965962	1		
18	Feet	959138	4	Set of 4	
19	Switch	205426	1		
20	Indicator light nut	nss	1	Available as 912003	
21	Indicator light	912003	1		
22	Thermostat (200°C)	965979	1		
23	Thermostat knob base	nss	1	Available as 959114	
24	Thermostat knob	959114	1	Incl. item 23	
24A	Timer knob	948330	1	Incl. item 25	
25	Timer knob base	nss	1	Available as 948330	
26	Timer (15')	948279	1		
27	Grommit	n/a	1		
28	Lock ring	n/a	1		
29	Aluminum axle	n/a	1		
30	Bracket	n/a	1		
31	Bolt (M6)	n/a	2		
32	Nut (M6)	n/a	2		
33	Axle fitting	n/a	1		
34	Hingeblock (top)	n/a	1		
35	Screw	n/a	2		
36	Housing	n/a	2		
37	Sticker "hot surface"	n/a	1		
38	Scew (M10)	n/a	2		
39	Bracket	n/a	2		
40	Heating element	965986	2		
41	Baking plate (top)	n/a	1		
42	Baking plate (bottom)	n/a	1		
43	Nut (M10)	n/a	1		
44	Handle rod	nss	1		
45	Handle	965993	1	Incl item 44	
46	Hingeblock (bottom)	n/a	1		
47	Spring	966006	1		

n/a -> not available

nss -> not sold separately

### Circuit diagram

 <b style="font-size: 24px; font-weight: bold;">HENDI</b> Tools for Chefs <b>Hendi B.V.</b> Innovatielaan 6 6745 XW De Klomp The Netherlands	<b>Batch #</b>	<b>Appliance part#</b>
	000000 and up	212196
	<b>Description</b>	
	Bubble waffle maker	

<b>Date</b>	08-07-2024	<b>Revision #</b>	V.01
<b>Revision</b>	First Bill of Materials (BOM)		

