

Drawing



Tools for Chefs

Hendi B.V.
 Steenoven 21
 3911 TX Rhenen
 The Netherlands

Batch #

HK083719 and
 up

Appliance part#

212127

Description

Waffle maker "brussels"

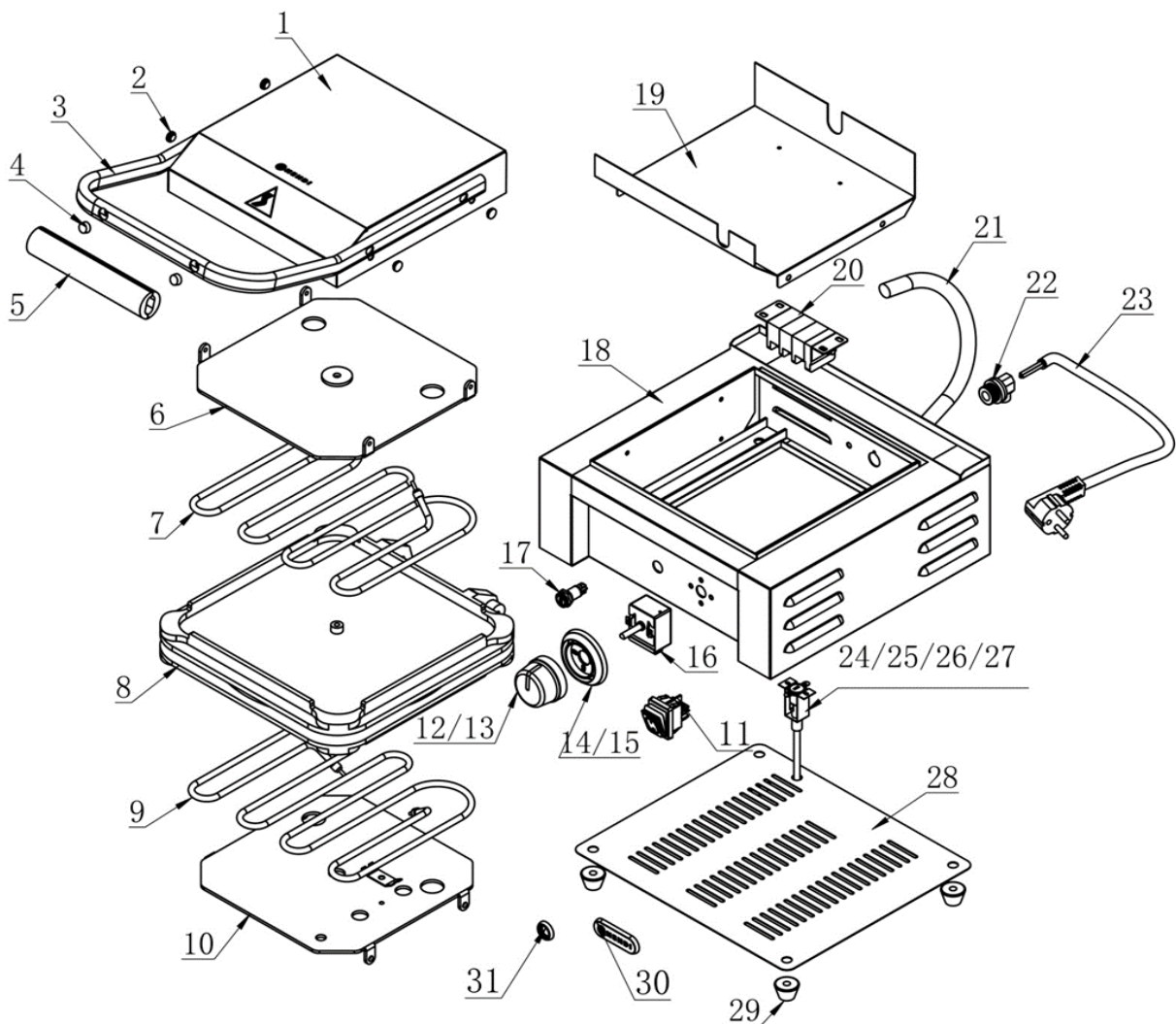
Date 11-03-2022

Revision #


1.0

Revision

First Bill of Materials (BOM)
 Knob design may differ from original.



Bill of materials (BOM)

 <b style="font-size: 24px; margin-left: 10px;">HENDI <small style="color: green; margin-left: 10px;">Tools for Chefs</small> Hendi B.V. Steenoven 21 3911 TX Rhenen The Netherlands	Batch #	Appliance part#
	HK083719 and up	212127
	Description	
Waffle maker "brussels"		


Date	11-03-2022	Revision #	1.1
Revision	First Bill of Materials (BOM) Knob design may differ from original.		

Item	Description	Part#	Quantity	Remark	Picture
1	Top cover	n/a	1		
2	Silicone plug	nss	4	Available as 945946	
3	Handle frame complete	956946	1	Incl. item 2, 4 and 5	
4	Handle plug	nss	2	Available as 945946	
5	Handle	nss	1	Available as 945946	
6	Heating element bracket	n/a	1		
7	Upper heating element	956953	1		
8	Grill plate set "brussels"	n/a	1		
9	Bottom heating element	956960	1		
10	Heating element bracket	n/a	1		
11	Switch	205426	1		
12	Knob insert	nss	1	Available as 942222	
13	Knob complete	942222	1	Incl. item 12, 14 and 15	
14	Knob base	nss	1	Available as 942222	
15	Knob scale	nss	1	Available as 942222	
16	Thermostat	902011	1		
17	Heating indicator	912003	1	Incl. item 31	
18	Housing frame	n/a	1		
19	Insulation plate	n/a	1		
20	Terminal	n/a	1		
21	Wire spring	n/a	1		
22	Pull relief	912201	1		
23	Power cord	912027	1		
24	Hi-limiter	902004	1		
25	Reset pin rubber	n/a	1		
26	Reset pin	n/a	1		
27	Reset pin bracket	n/a	1		
28	Bottom cover	n/a	1		
29	Feet	912058	1	Set of 4	
30	Logo plaque	n/a	1		
31	Seal ring for indicator light	nss	1	Available as 912003	

n/a -> not available

nss -> not sold separately

Circuit diagram

 HENDI Tools for Chefs Hendi B.V. Steenoven 21 3911 TX Rhenen The Netherlands	Batch #	Appliance part#
	HK083719 and up	212127
	Description	
Waffle maker "brussels"		

Date	11-03-2022	Revision #	1.0
Revision	First Bill of Materials (BOM) Knob design may differ from original.		

