

Drawing



**HENDI**

Tools for Chefs

Hendi B.V.

Steenoven 21  
3911 TX Rhenen  
The Netherlands

Batch #

000000 and up

Appliance part#

209899

Description

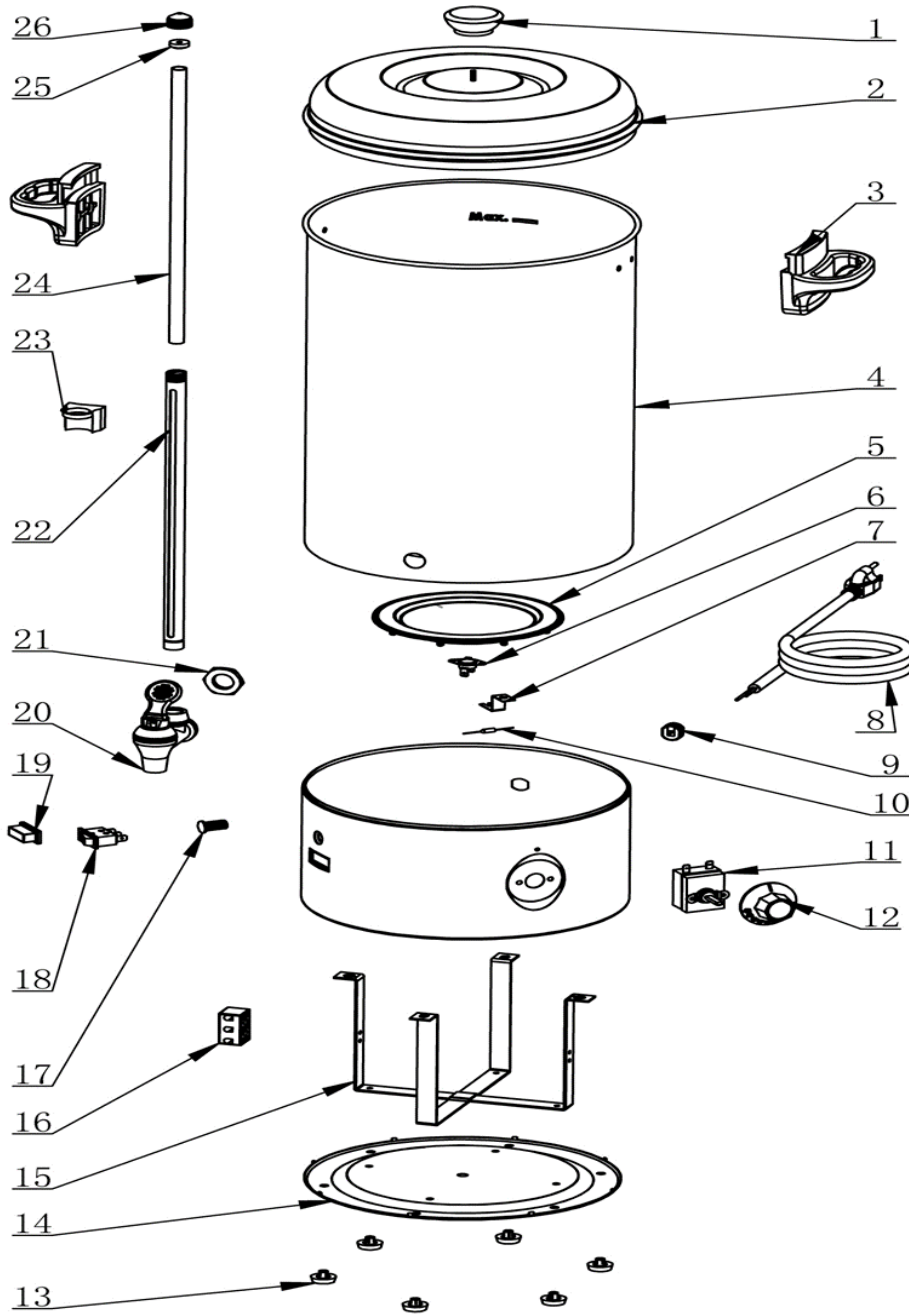
Hot drinks boiler 20L

Date 30-04-2021


Revision #

1.0

Revision First Bill of Materials (BOM)



**Bill of materials (BOM)**

 <b>HENDI</b> Tools for Chefs Hendi B.V. Steenoven 21 3911 TX Rhenen The Netherlands	<b>Batch #</b>	<b>Appliance part#</b>
	000000 and up	<b>209899</b>
	<b>Description</b>	
<b>Hot drinks boiler 20L</b>		

<b>Date</b>	30-04-2021	<b>Revision #</b>	1.0
<b>Revision</b>	First Bill of Materials (BOM)		

Item	Description	Part#	Quantity	Remark	Picture
1	Knob for lid	nss	1	Available in set 906316	
2	Lid	906316	1		
3	Handle container	n/a	2		
4	Container	n/a	1		
5	Element	209912	1		
5a	Gasket element	904367	1		
6	Hi-limiter	904312	1	(120 degrees celcius)	
7	Holder hi-limiter	n/a	1		
8	Power cord	930045	1		
9	Cord inlet / retention	904374	1		
10	Thermal fuse	208441	1	(144 degrees celcius)	
11	Thermostat	904350	1		
12	Knob thermostat	906323	1		
13	Foot	900574	6		
14	bottom plate	n/a	1		
15	Bracket bottom plate	n/a	1		
16	Terminal block	904381	1		
17	Lamp indication	902059	1		
18	Switch	904398	1		
19	Switch cover	nss	1	Available in set 904398	
20	Faucet	208038	1	Also available in set 906347	
21	Nut faucet	nss	1	Available in 208038 and 906347	
22	Sleeve graduation	nss	1	Available in 906347	
23	Holder graduation	nss	1	Available in 906347	
24	Glass graduation	nss	1	Available in 906347	
25	Gasket glass graduation	208496	2	Also available in 906347	
26	Nut graduation	nss	1	Available in 906347	
27	Sleeve graduation with faucet complete	906347	1	(parts 20,21,22,23,24,25,26)	

n/a -> not available

nss -> not sold separately

**Circuit diagram**



**Hendi B.V.**  
 Steenoven 21  
 3911 TX Rhenen  
 The Netherlands

Tools for Chefs

<b>Batch #</b>	<b>Appliance part#</b>
000000 and up	<b>209899</b>
<b>Description</b>	
Hot drinks boiler 20L	

<b>Date</b>	30-04-2021	<b>Revision #</b>	1.0
<b>Revision</b>	First Bill of Materials (BOM)		

