

# Drawing

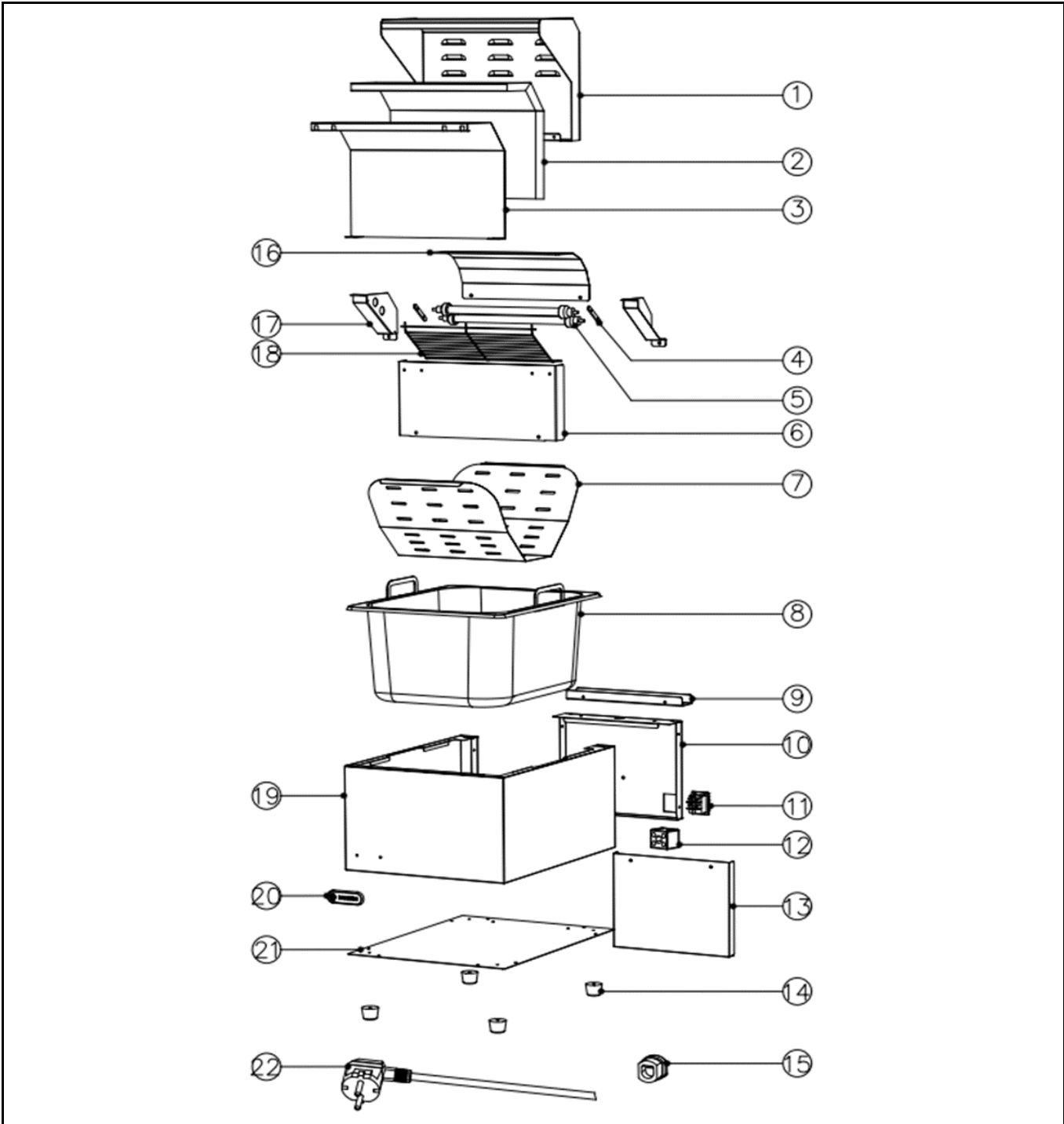


Tools for Chefs

Hendi B.V.  
Innovatielaan 6  
6745 XW De Klomp  
The Netherlands


Batch #	Appliance part#
000000 and up	209066
Description	
Fries warmer	

Date	31-03-2025	Revision #	V.01
Revision	First bill of materials (BOM).		





### Circuit diagram

 <b>HENDI</b> Tools for Chefs <b>Hendi B.V.</b> Innovatielaan 6 6745 XW De Klomp The Netherlands	<b>Batch #</b>	<b>Appliance part#</b>
	000000 and up	<b>209066</b>
	<b>Description</b>	
	Fries warmer	

<b>Date</b>	31-03-2025	<b>Revision #</b>	V.01
<b>Revision</b>	First bill of materials (BOM).		

