

Drawing



Tools for Chefs

Hendi B.V.
Steenoven 21
3911 TX Rhenen
The Netherlands

Batch #

000000 and up

Appliance part#

207376

Description

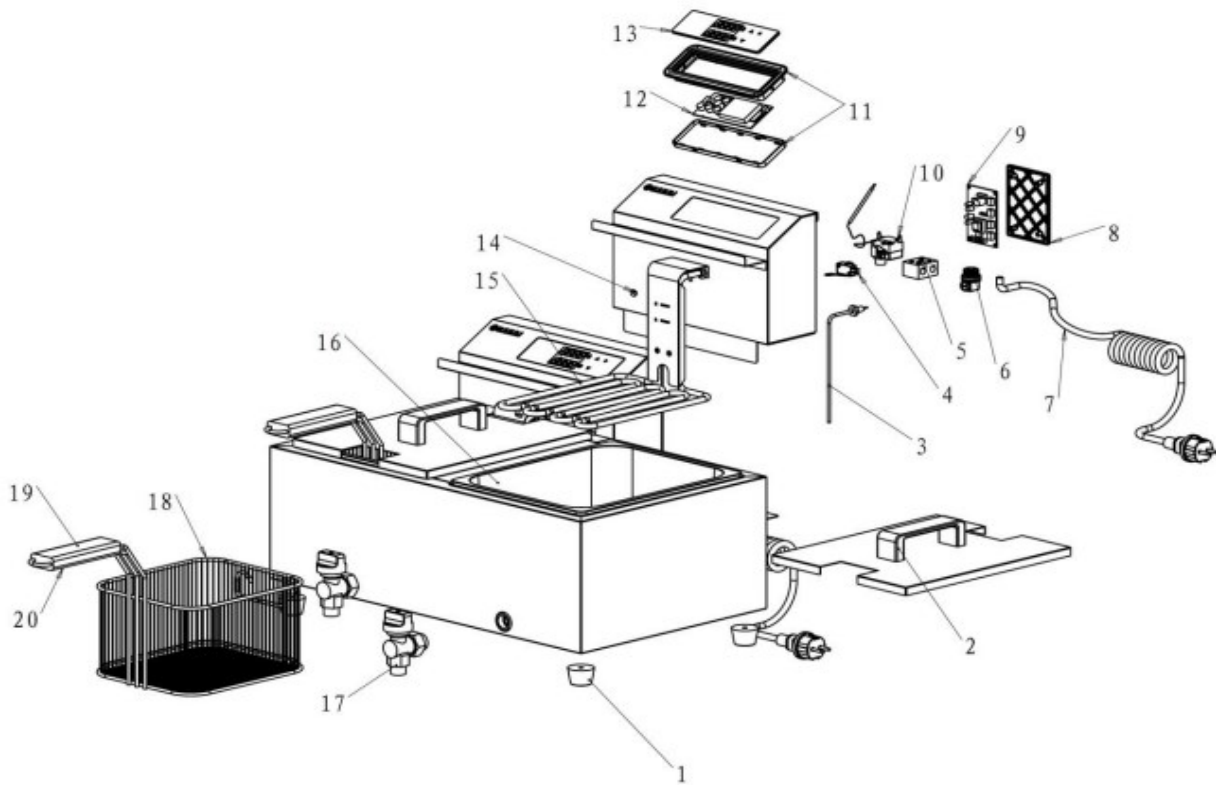
Deep Fryer Mastercook with drain tap 2X8L

Date 13-04-2022


Revision #

1.0

Revision First Bill of Materials (BOM)



Bill of materials (BOM)

 HENDI Tools for Chefs Hendi B.V. Steenoven 21 3911 TX Rhenen The Netherlands	Batch #	Appliance part#
	000000 and up	207376
	Description	
	Deep Fryer Mastercook with drain tap 2X8L	


Date	13-04-2022	Revision #	1.0
Revision	First Bill of Materials (BOM)		

Item	Description	Part#	Quantity	Remark	Picture
1	Feet	934876	4		
2	Lid	934869	2		
3	Temperature probe	nss	2	Available as 945087	
4	Microswitch	930571	2		
5	Terminal	930540	2		
6	Pull relief	912201	2		
7	Power cord	912027	2		
8	Main PCB mount bracket	nss	2	Available as 945087	
9	Main PCB	945087	2	Incl. item 3, 8 and 12	
10	Hi-limiter	930595	2		
11	Display PCB housing	n/a	2		
12	Display PCB	nss	2	Available as 945087	
13	Glass panel	n/a	2		
14	Grommet	n/a	2		
15	Heating element	n/a	2		
16	Frame	n/a	1		
17	Faucet	251515	2		
18	Fryer basket	933664	2		
19	Fryer basket handle	nss	2	Available as 933664	
20	Plug for handle	nss	4	Available as 933664	

n/a -> not available

nss -> not sold separately

Circuit diagram

 HENDI Tools for Chefs Hendi B.V. Steenoven 21 3911 TX Rhenen The Netherlands	Batch #	Appliance part#
	000000 and up	207376
	Description	
Deep Fryer Mastercook with drain tap 2X8L		

Date	13-04-2022	Revision #	1.0
Revision	First Bill of Materials (BOM)		

