

Drawing



Tools for Chefs

Hendi B.V.  
 Steenoven 21  
 3911 TX Rhenen  
 The Netherlands

Batch #

000000 until 400653  
 and 401248

Appliance part#

207307

Description

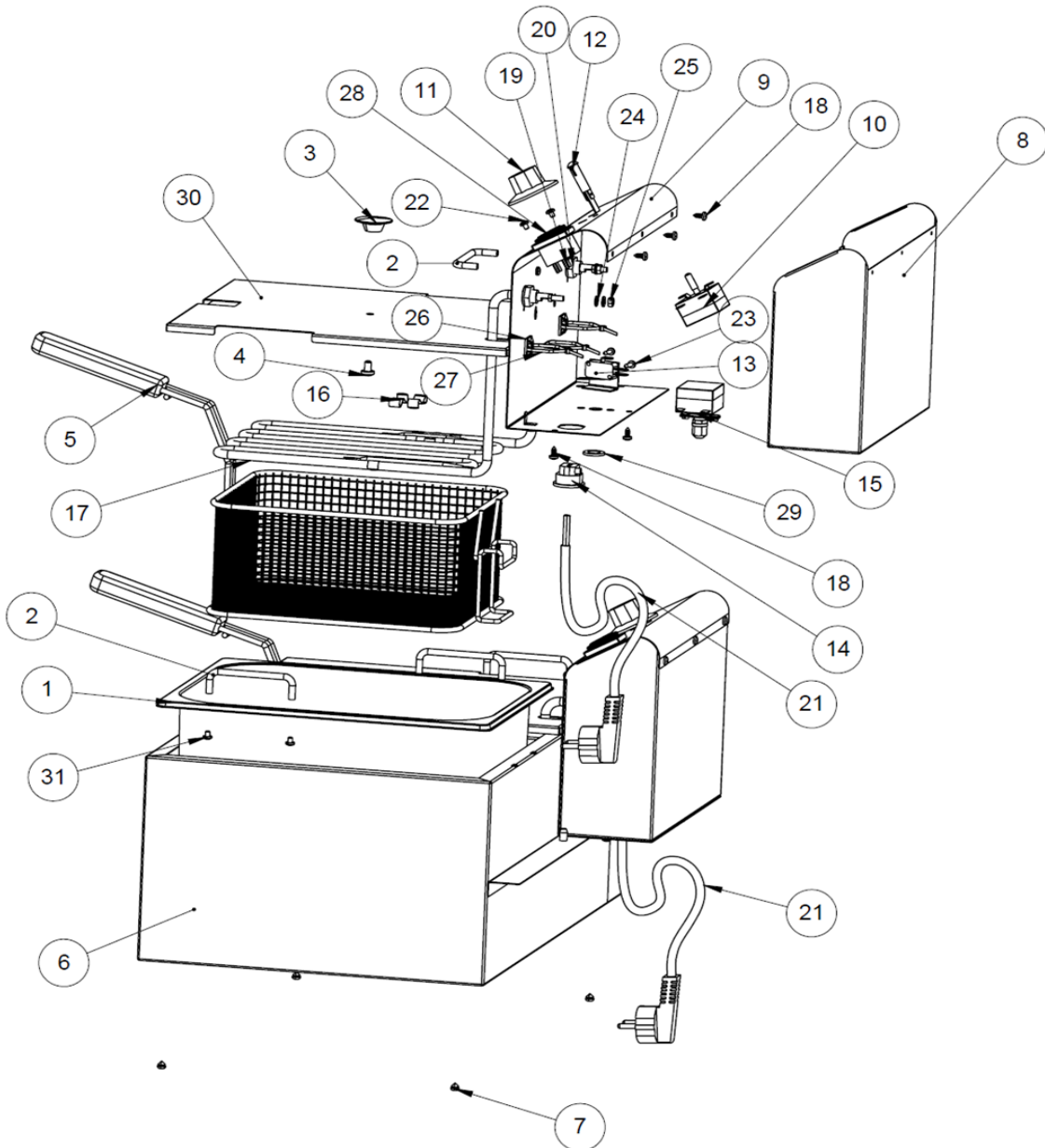
Deep fryer Mastercook 2X8L

Date 30-04-2021


Revision #

1.0

Revision First Bill of Materials (BOM)



### Bill of materials (BOM)

 <b>HENDI</b> <small>Tools for Chefs</small> <b>Hendi B.V.</b> Steenoven 21 3911 TX Rhenen The Netherlands	<b>Batch #</b>	<b>Appliance part#</b>
	000000 until 400653 and 401248	<b>207307</b>
	<b>Description</b>	
<b>Deep fryer Mastercook 2X8L</b>		


<b>Date</b>	30-04-2021	<b>Revision #</b>	1.0
<b>Revision</b>	First Bill of Materials (BOM)		

Item	Description	Part#	Quantity	Remark	Picture
1	Fryer Bassin	207079	2		
2	Bracket	207154	6	2 pcs M4x5 included	
3	Knob for lid	207024	2	Also in 207062	
4	Screw M6x10	nss	2	Available in 207024 and 207062	
5	Fryer basket	643617	2		
6	Frame complete	207239	1		
7	Buffers	207185	4		
8	Back cover	nss	2	Available as 207215	
9	Fryer head complete assembly	207215	2	Incl item 8 and 10~29	
10	Thermostaat 0/190°C EGO	205228	2	Also in 207215	
11	Knob thermostat	205235	2	Also in 207215	
12	Indicator light yellow	201145	2	Also in 207215	
13	Microswitch 16A/250V	207093	2	Also in 207215	
14	Pull relief PA107	920107	2	Also in 207215	
15	Hi-limiter 230°C EGO	929001	2	Also in 207215	
16	Leaf spring SS	207314	2	Also in 207215	
17	Element 3250W 230V	207048	2	Also in 207215	
18	Sheet-metal screw 4,2x9,5	nss	12	Available as 207215	
19	Washer 13.5x20	nss	4	Available as 207215	
20	Nut 1/4"	nss	4	Available as 207215	
21	Power cord	207017	2	Also in 207215	
22	Screw M4x5	nss	4	Available as 207215	
23	Sheet-metal screw 3,5 x 13	nss	4	Available as 207215	
24	Washer M5	nss	8	Available as 207215	
25	Nut M5	nss	4	Available as 207215	
26	Self adhesive mounting plate	nss	4	Available as 207215	
27	Tie rip	nss	6	Available as 207215	
28	Switch	205426	2	Also in 207215	
29	Ring Hi-limiter	nss	20	Available as 207215	
30	Lid	207062	2	Incl item 3;4.	
31	Screw M4x5	nss	8	Available in 207154	

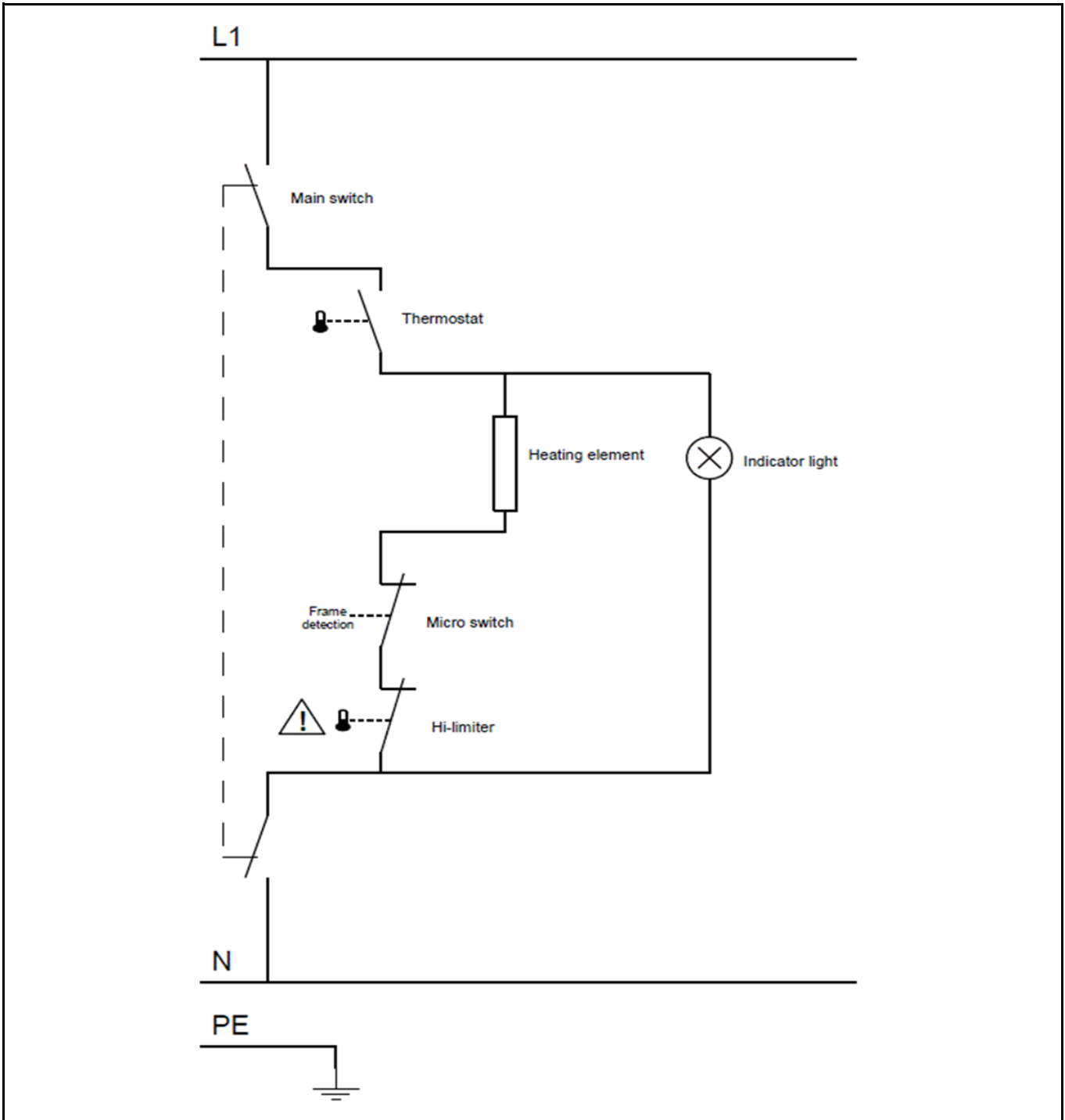
n/a -> not available

nss -> not sold separately


### Circuit diagram

 <b style="font-size: 24px; margin-left: 10px;">HENDI</b> <span style="font-size: 12px; color: #808000; margin-left: 10px;">Tools for Chefs</span> <b>Hendi B.V.</b> Steenoven 21 3911 TX Rhenen The Netherlands	<b>Batch #</b>	<b>Appliance part#</b>
	000000 until 400653 and 401248	<b>207307</b>
	<b>Description</b>	
<b>Deep fryer Mastercook 2X8L</b>		

<b>Date</b>	30-04-2021	<b>Revision #</b>	1.0
<b>Revision</b>	First Bill of Materials (BOM)		



## Wiring diagram

 <b style="font-size: 24px; margin-left: 10px;">HENDI</b> <span style="color: #92D050; font-size: 12px; margin-left: 10px;">Tools for Chefs</span> <b>Hendi B.V.</b> Steenoven 21 3911 TX Rhenen The Netherlands	<b>Batch #</b>	<b>Appliance part#</b>
	000000 until 400653 and 401248	<b>207307</b>
	<b>Description</b>	
<b>Deep fryer Mastercook 2X8L</b>		

<b>Date</b>	30-04-2021	<b>Revision #</b>	1.0
<b>Revision</b>	First Bill of Materials (BOM)		

