

Drawing



Tools for Chefs

Hendi B.V.

Steenoven 21
3911 TX Rhenen
The Netherlands

Batch #

000000 until
HK094220

Appliance part#

205846

Description

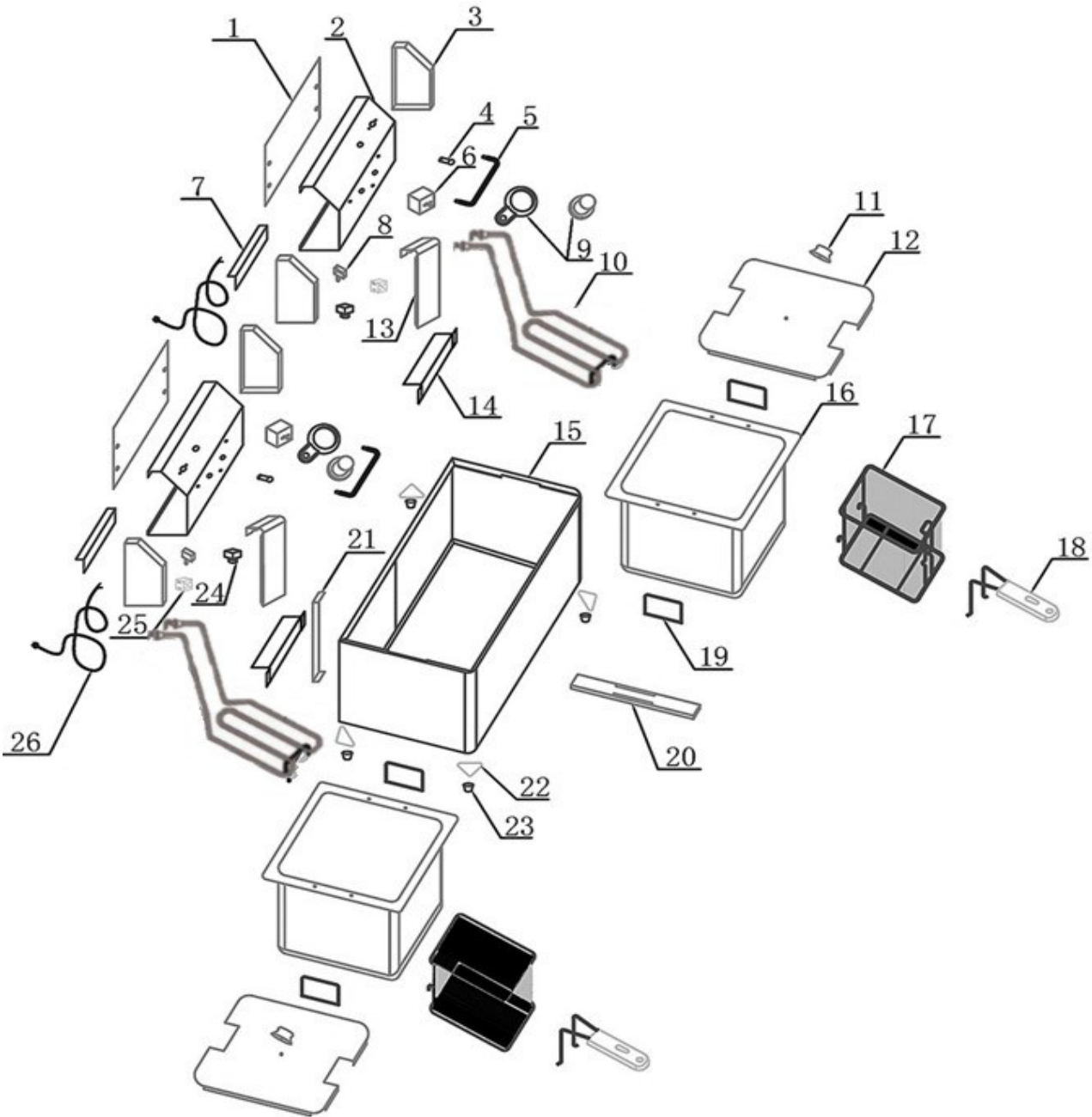
Deep fryer 2x4L Blue Line

Date 11-05-2021


Revision #

1.0

Revision First Bill of Materials (BOM)



Bill of materials (BOM)

| | | |
|---|----------------------------------|------------------------|
|  <b style="font-size: 24px; margin-left: 10px;">HENDI <small style="color: green; margin-left: 10px;">Tools for Chefs</small> Hendi B.V. Steenoven 21 3911 TX Rhenen The Netherlands | Batch # | Appliance part# |
| | 000000 until HK094220 | 205846 |
| | Description | |
| | Deep fryer 2x4L Blue Line | |


| | | | |
|-----------------|-------------------------------|-------------------|-----|
| Date | 11-05-2021 | Revision # | 1.0 |
| Revision | First Bill of Materials (BOM) | | |

| Item | Description | Part# | Quantity | Remark | Picture |
|------|---------------------|--------|----------|---------------------------------|---------|
| 1 | Back cover | n/a | 2 | | |
| 2 | Front cover | n/a | 2 | | |
| 3 | Side cover | n/a | 4 | | |
| 4 | Indicator light | 930533 | 2 | | |
| 5 | Bracket | n/a | 2 | | |
| 6 | Thermostat | 930557 | 2 | | |
| 7 | Bracket | n/a | 2 | | |
| 8 | Microswitch | 930571 | 2 | | |
| 9 | Knob | 930564 | 2 | | |
| 10 | Element | 930601 | 2 | | |
| 11 | Knob for lid | 940402 | 2 | Color may differ from original. | |
| 12 | Lid | n/a | 2 | | |
| 13 | Bracket | n/a | 2 | | |
| 14 | Support | n/a | 2 | | |
| 15 | Frame | n/a | 1 | | |
| 16 | Fryer bassin | n/a | 2 | | |
| 17 | Fryer basket | 930618 | 2 | Incl item 18 | |
| 18 | Handle fryer basket | nss | 2 | Available as 930656 | |
| 19 | Handle | n/a | 4 | | |
| 20 | Bracket | n/a | 1 | | |
| 21 | Bracket | n/a | 1 | | |
| 22 | Support plate | n/a | 4 | | |
| 23 | Feet | 930588 | 4 | | |
| 24 | Hi-Limiter | 930595 | 2 | | |
| 25 | Terminal | 930540 | 2 | | |
| 26 | Power cord | 930045 | 2 | | |
| * | Probe holder | 930663 | 4 | (Not shown on exploded view) | |
| | | | | | |
| | | | | | |

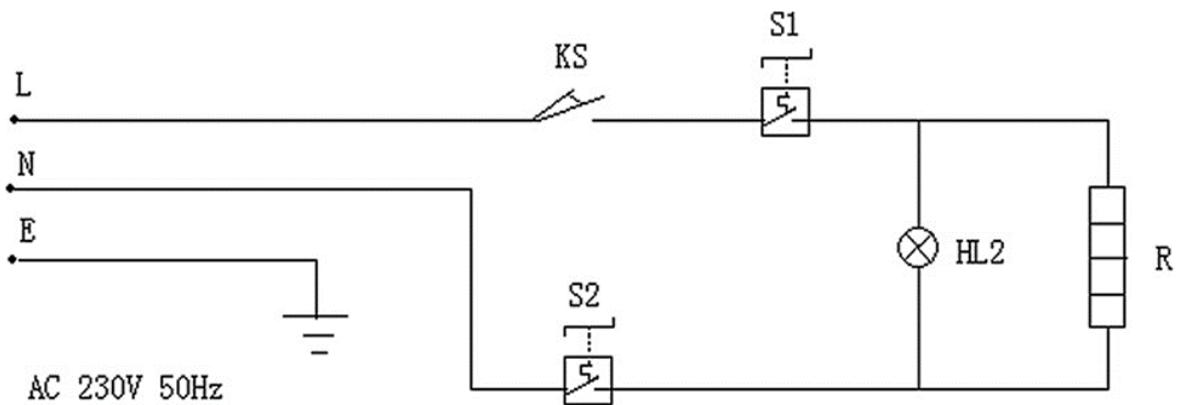
n/a -> not available

nss -> not sold separately

Circuit diagram

| | | |
|--|----------------------------------|------------------------|
|  <b style="font-size: 24px; margin-left: 10px;">HENDI Tools for Chefs Hendi B.V. Steenoven 21 3911 TX Rhenen The Netherlands | Batch # | Appliance part# |
| | 000000 until HK094220 | 205846 |
| | Description | |
| | Deep fryer 2x4L Blue Line | |

| | | | |
|-----------------|-------------------------------|-------------------|-----|
| Date | 11-05-2021 | Revision # | 1.0 |
| Revision | First Bill of Materials (BOM) | | |



S1 - Thermostat
 S2 - Hi Limiter
 KS - Switch

R - Element
 HL - Lamp Indicator