

Drawing



Tools for Chefs

Hendi B.V.  
Steenoven 21  
3911 TX Rhenen  
The Netherlands

Batch #

000000 until  
HK094220

Appliance part#

205808

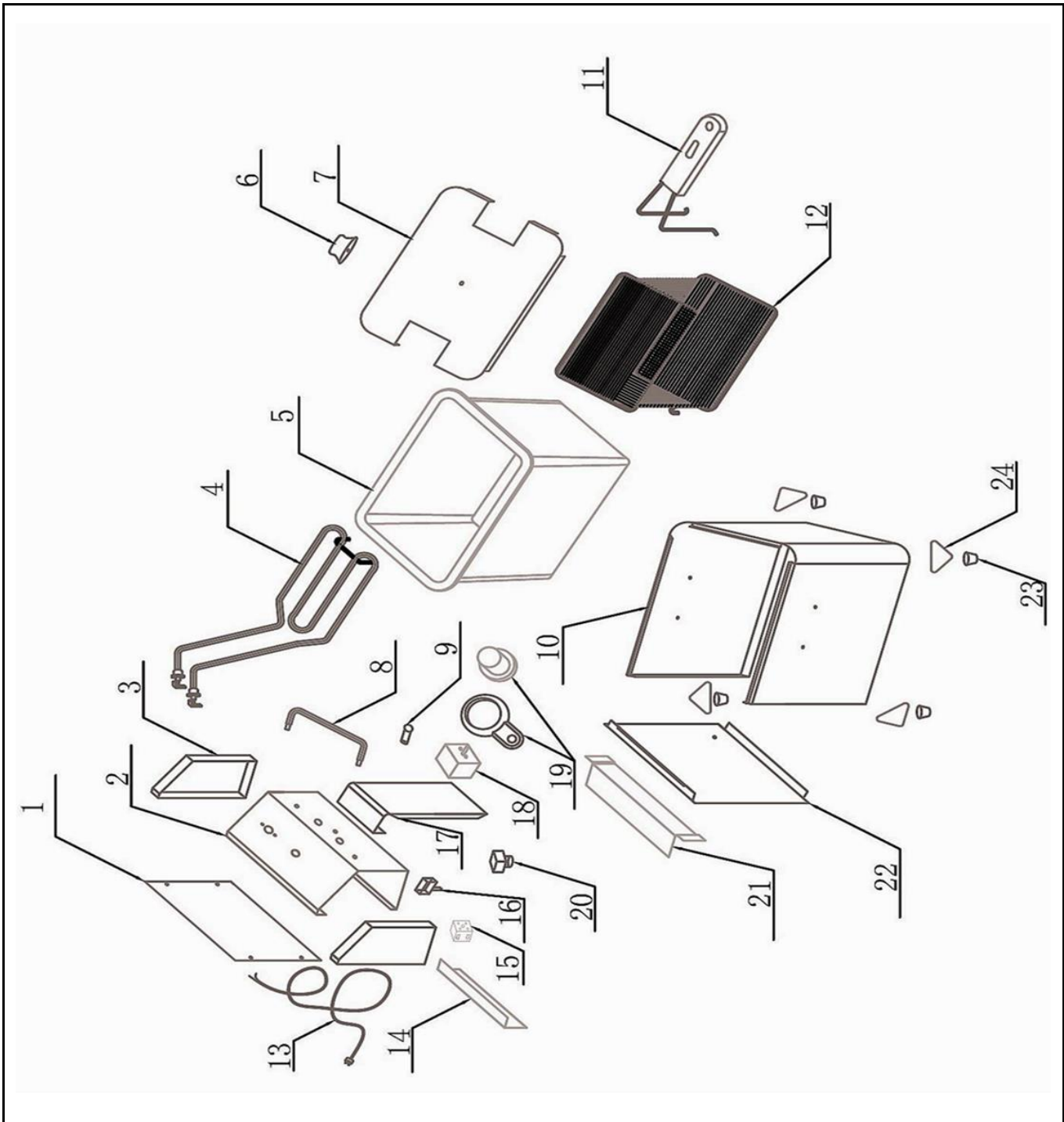
Description

Deep fryer 4L Blue Line


Date 29-04-2021

Revision # 1.0

Revision First Bill of Materials (BOM)



### Bill of materials (BOM)

|  |                          |                        |
|--|--------------------------|------------------------|
|  <b style="font-size: 24px; margin-left: 10px;">HENDI</b><br><span style="font-size: 12px; color: green; margin-left: 10px;">Tools for Chefs</span><br><b>Hendi B.V.</b><br>Steenoven 21<br>3911 TX Rhenen<br>The Netherlands | <b>Batch #</b>           | <b>Appliance part#</b> |
|  | 000000 until<br>HK094220 | <b>205808</b>          |
|  | <b>Description</b>       |                        |
| <b>Deep fryer 4L Blue Line</b>   |                          |                        |


|                 |                               |                   |     |
|-----------------|-------------------------------|-------------------|-----|
| <b>Date</b>     | 29-04-2021                    | <b>Revision #</b> | 1.0 |
| <b>Revision</b> | First Bill of Materials (BOM) |                   |     |

| Item | Description         | Part#  | Quantity | Remark                          | Picture |
|------|---------------------|--------|----------|---------------------------------|---------|
| 1    | Back cover          | n/a    | 1        |                                 |         |
| 2    | Front cover         | n/a    | 1        |                                 |         |
| 3    | Side cover          | n/a    | 2        |                                 |         |
| 4    | Element             | 930601 | 1        |                                 |         |
| 5    | Fryer bassin        | n/a    | 1        |                                 |         |
| 6    | Knob for lid        | 940402 | 1        | Color may differ from original. |         |
| 7    | Lid                 | n/a    | 1        |                                 |         |
| 8    | Bracket             | n/a    | 1        |                                 |         |
| 9    | Indicator light     | 930533 | 1        |                                 |         |
| 10   | Frame               | n/a    | 1        |                                 |         |
| 11   | Handle fryer basket | nss    | 1        | Available as 930618             |         |
| 12   | Fryer basket        | 930618 | 1        | Incl item 11                    |         |
| 13   | Power cord          | 205303 | 1        |                                 |         |
| 14   | Bracket             | n/a    | 1        |                                 |         |
| 15   | Terminal            | 930540 | 1        |                                 |         |
| 16   | Microswitch         | 930571 | 1        |                                 |         |
| 17   | Bracket             | n/a    | 1        |                                 |         |
| 18   | Thermostat          | 930557 | 1        |                                 |         |
| 19   | Knob                | 930564 | 1        |                                 |         |
| 20   | Hi-Limiter          | 930595 | 1        |                                 |         |
| 21   | Support             | n/a    | 1        |                                 |         |
| 22   | Back cover frame    | n/a    | 1        |                                 |         |
| 23   | Feet                | 930588 | 1        |                                 |         |
| 24   | Support plate       | n/a    | 4        |                                 |         |
| *    | Probe holder        | 930663 | 2        | (not shown on exploded view)    |         |
|      |                     |        |          |                                 |         |
|      |                     |        |          |                                 |         |

n/a -> not available

nss -> not sold separately

**Circuit diagram**

|   |                          |                        |
|---|--------------------------|------------------------|
|  <b>HENDI</b><br>Tools for Chefs<br><b>Hendi B.V.</b><br>Steenoven 21<br>3911 TX Rhenen<br>The Netherlands | <b>Batch #</b>           | <b>Appliance part#</b> |
|   | 000000 until<br>HK094220 | <b>205808</b>          |
|   | <b>Description</b>       |                        |
|   | Deep fryer 4L Blue Line  |                        |

|                 |                               |                   |     |
|-----------------|-------------------------------|-------------------|-----|
| <b>Date</b>     | 29-04-2021                    | <b>Revision #</b> | 1.0 |
| <b>Revision</b> | First Bill of Materials (BOM) |                   |     |

