

Drawing



Tools for Chefs

Hendi B.V.
 Steenoven 21
 3911 TX Rhenen
 The Netherlands

Batch #

000000 until
 HK093319

Appliance part#

203170

Description

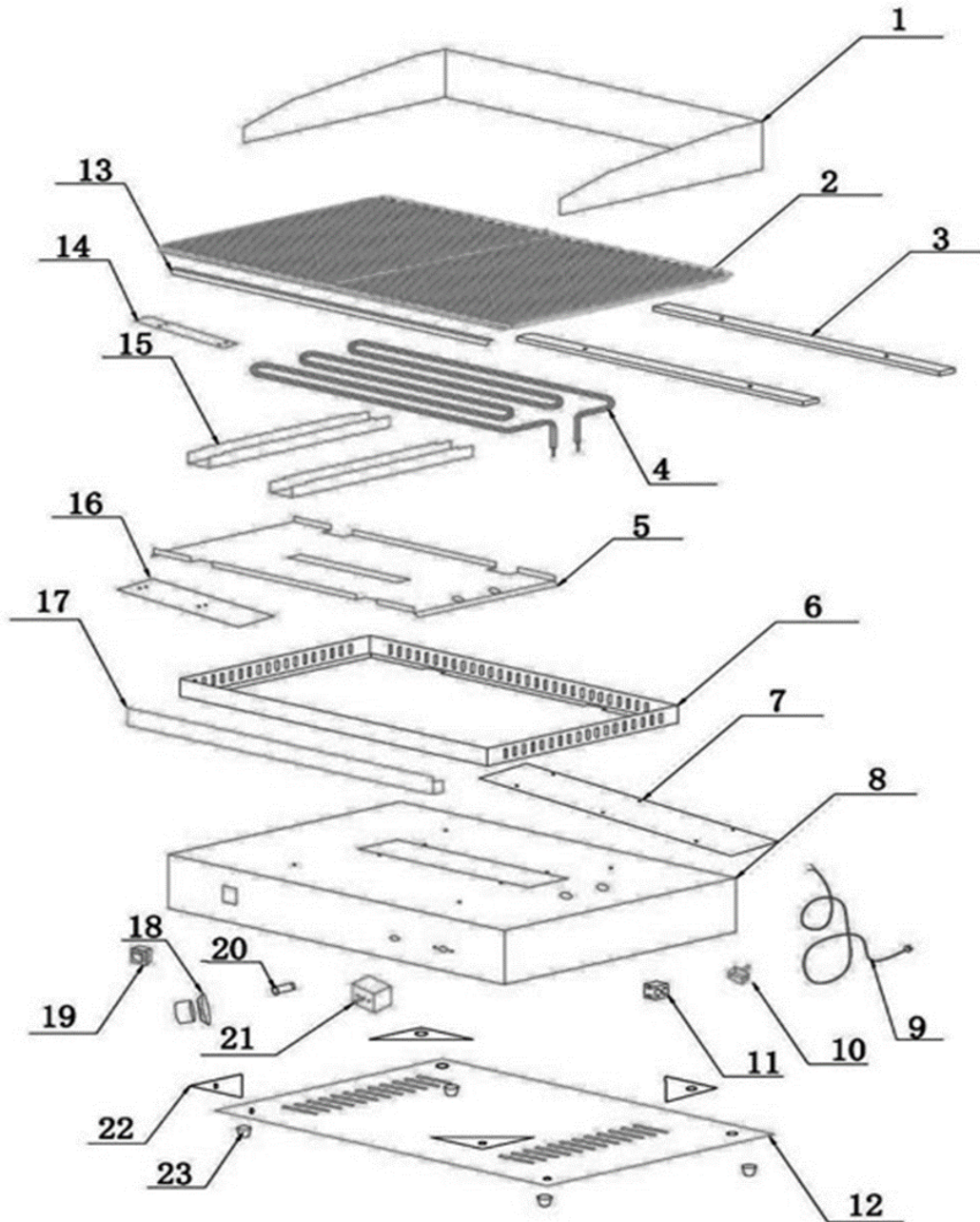
Griddle ribbed

Date 16-04-2021


Revision #

1.0

Revision First Bill of Materials



Bill of materials (BOM)

 <b style="font-size: 24px; margin-left: 10px;">HENDI <small style="color: green; margin-left: 10px;">Tools for Chefs</small> Hendi B.V. Steenoven 21 3911 TX Rhenen The Netherlands	Batch #	Appliance part#
	000000 until HK093319	203170
	Description	
Griddle ribbed		

Date	16-04-2021	Revision #	1.0
Revision	First Bill of Materials		

Item	Description	Part#	Quantity	Remark	Picture
1	Side cover	n/a	1		
2	Griddle plate (Entirely ribbed)	n/a	1		
3	Bracket	n/a	2		
4	Element	929841	1		
5	Cover element	n/a	1		
6	Upper housing	n/a	1		
7	Cover	n/a	1		
8	Lower housing	n/a	1		
9	Power cord	930045	1		
10	Hi-limiter	929858	1		
11	Terminal	929940	1		
12	Bottom cover	n/a	1		
13	Bracket	n/a	1		
14	Probe holder	n/a	1		
15	Bracket	n/a	2		
16	Cover	n/a	1		
17	Drip tray	929957	1		
18	Knob	929865	1	Knob design may differ from original	
19	Switch	205426	1		
20	Indicator light	929889	1	Alternative 930533	
21	Thermostat	902011	1		
22	Mounting plate	n/a	4		
23	Feet	929896	4		
*	Cordinlet with retainer	912201	1	Not shown on exploded view	

n/a -> not available

nss -> not sold separately

Circuit diagram



Hendi B.V.
 Steenoven 21
 3911 TX Rhenen
 The Netherlands

Tools for Chefs

Batch #

000000 until
 HK093319

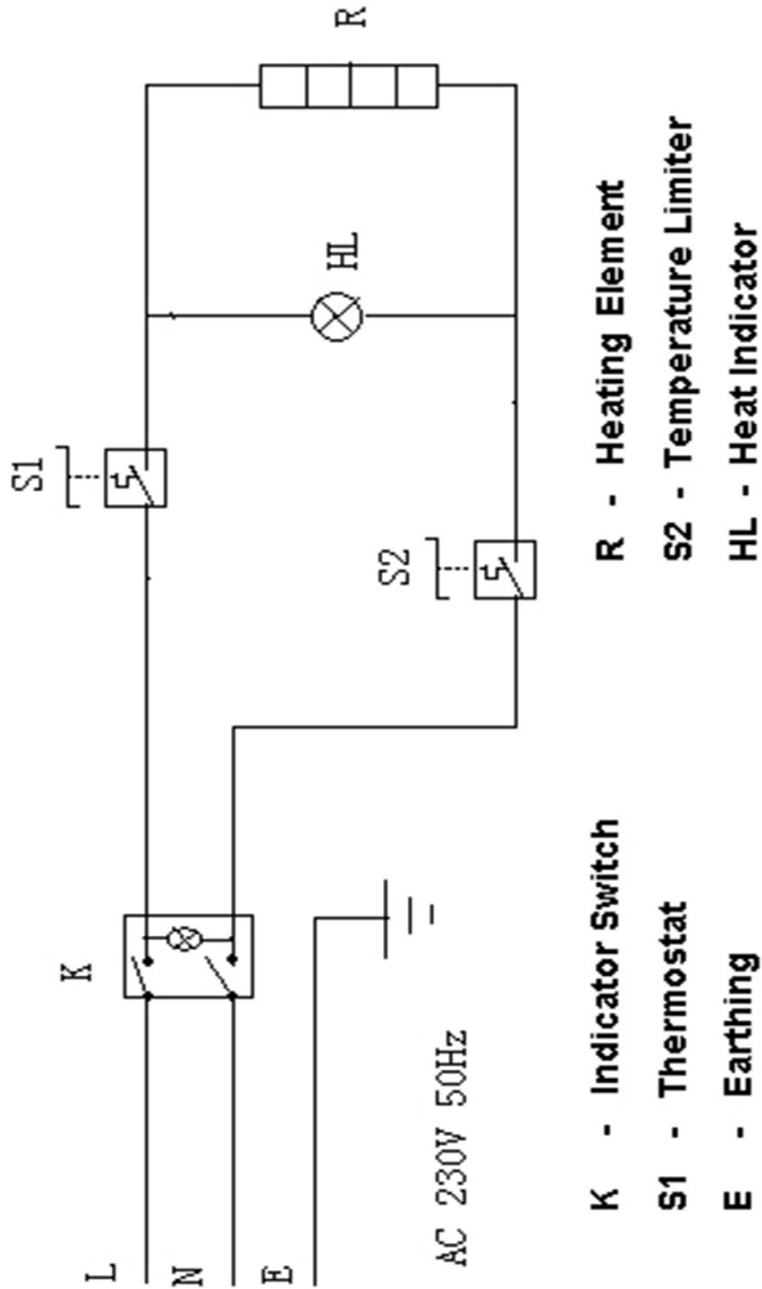
Appliance part#

203170

Description

Griddle ribbed

Date	16-04-2021	Revision #	1.0
Revision	First Bill of Materials		



K - Indicator Switch
S1 - Thermostat
E - Earthing

R - Heating Element
S2 - Temperature Limiter
HL - Heat Indicator