

Drawing



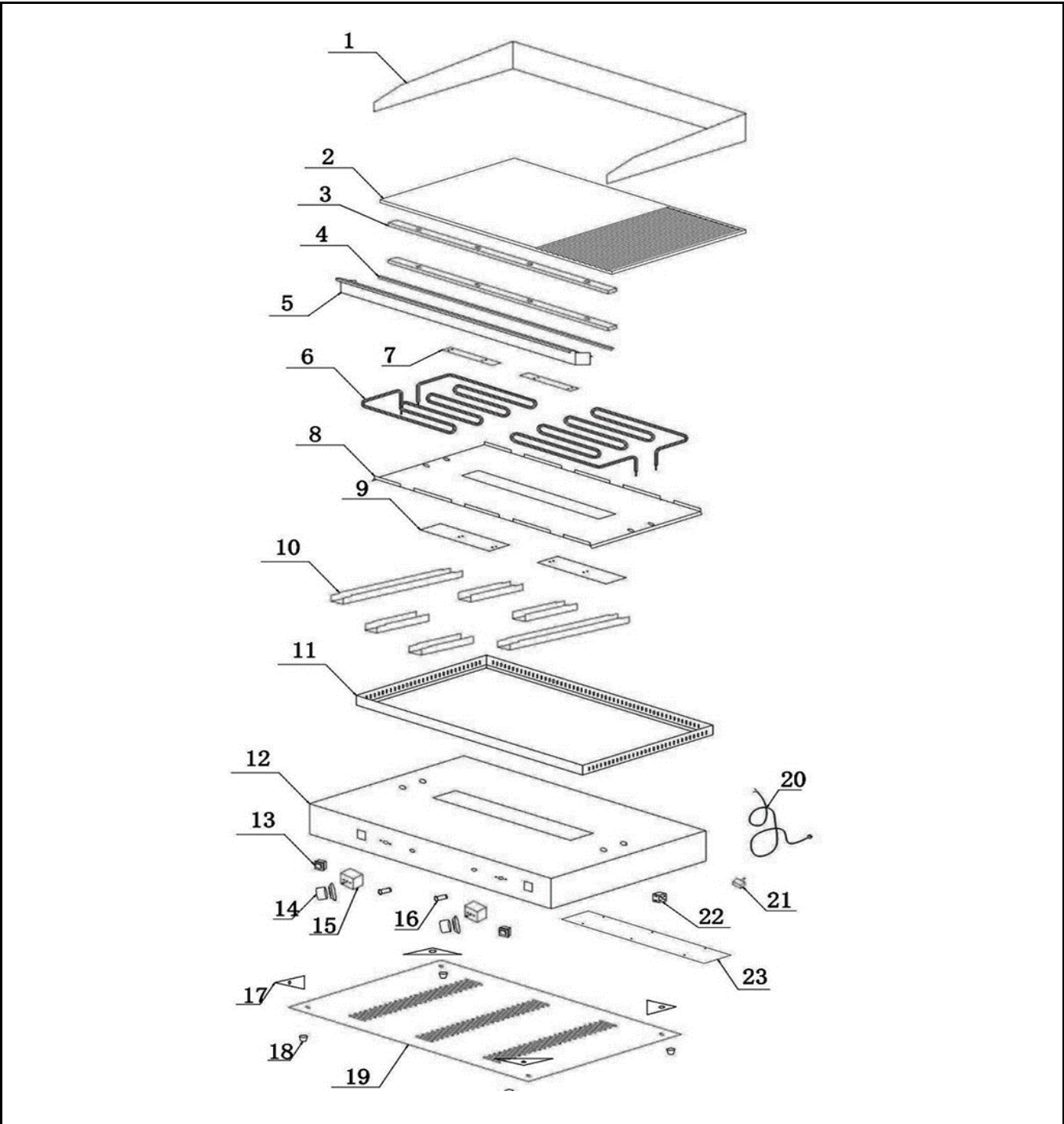
Hendi B.V.  
 Steenoven 21  
 3911 TX Rhenen  
 The Netherlands

Batch #  
 HK009120 and  
 up


Appliance part#  
**203163**

Description  
 Griddle 2/3 flat, 1/3 ribbed  
 2 zones

Date	22-08-2023	Revision #	1.1
Revision	Updated control panel and circuit diagram.		



### Bill of materials (BOM)

 <b style="font-size: 24px; margin-left: 10px;">HENDI</b> <small style="color: green; margin-left: 10px;">Tools for Chefs</small> <b>Hendi B.V.</b> Steenoven 21 3911 TX Rhenen The Netherlands	<b>Batch #</b>	<b>Appliance part#</b>
	HK009120 and up	<b>203163</b>
	<b>Description</b>	
	Griddle 2/3 flat, 1/3 ribbed 2 zones	

<b>Date</b>	22-08-2023	<b>Revision #</b>	1.1
<b>Revision</b>	Updated control panel and circuit diagram.		

Item	Description	Part#	Quantity	Remark	Picture
1	Backsplash	n/a	1		
2	Griddle plate 2/3 flat, 1/3 ribbed	n/a	1		
3	Bracket	n/a	2		
4	Rim	n/a	1		
5	Drip tray	929674	1		
6	Heating element	929919	2		
7	Probe holder	n/a	2		
8	Heating element cover	n/a	1		
9	Cover	n/a	2		
10	Bracket	n/a	6		
11	Upper housing	n/a	1		
12	Lower housing	n/a	1		
13	Switch	205426	2		
14	Knob thermostat	929865	2		
15	Thermostat	902011	2		
16	Indicator light	930533	2		
17	Corner bracket	n/a	4		
18	Feet	929896	1	Set of 4	
19	Bottom cover	n/a	1		
20	Power cord	930045	1		
21	Hi-limiter	929858	2		
22	Terminal	922545	1		
23	Cover	n/a	1		
*	Cors inlet with retention	912201	1	Not shown on drawing	

n/a -> not available

nss -> not sold separately

### Circuit diagram



**Hendi B.V.**  
Steenoven 21  
3911 TX Rhenen  
The Netherlands

Tools for Chefs

<b>Batch #</b>	<b>Appliance part#</b>
HK009120 and up	<b>203163</b>
<b>Description</b>	
Griddle 2/3 flat, 1/3 ribbed 2 zones	

<b>Date</b>	22-08-2023	<b>Revision #</b>	1.1
<b>Revision</b>	Updated control panel and circuit diagram.		

