

Drawing



Tools for Chefs

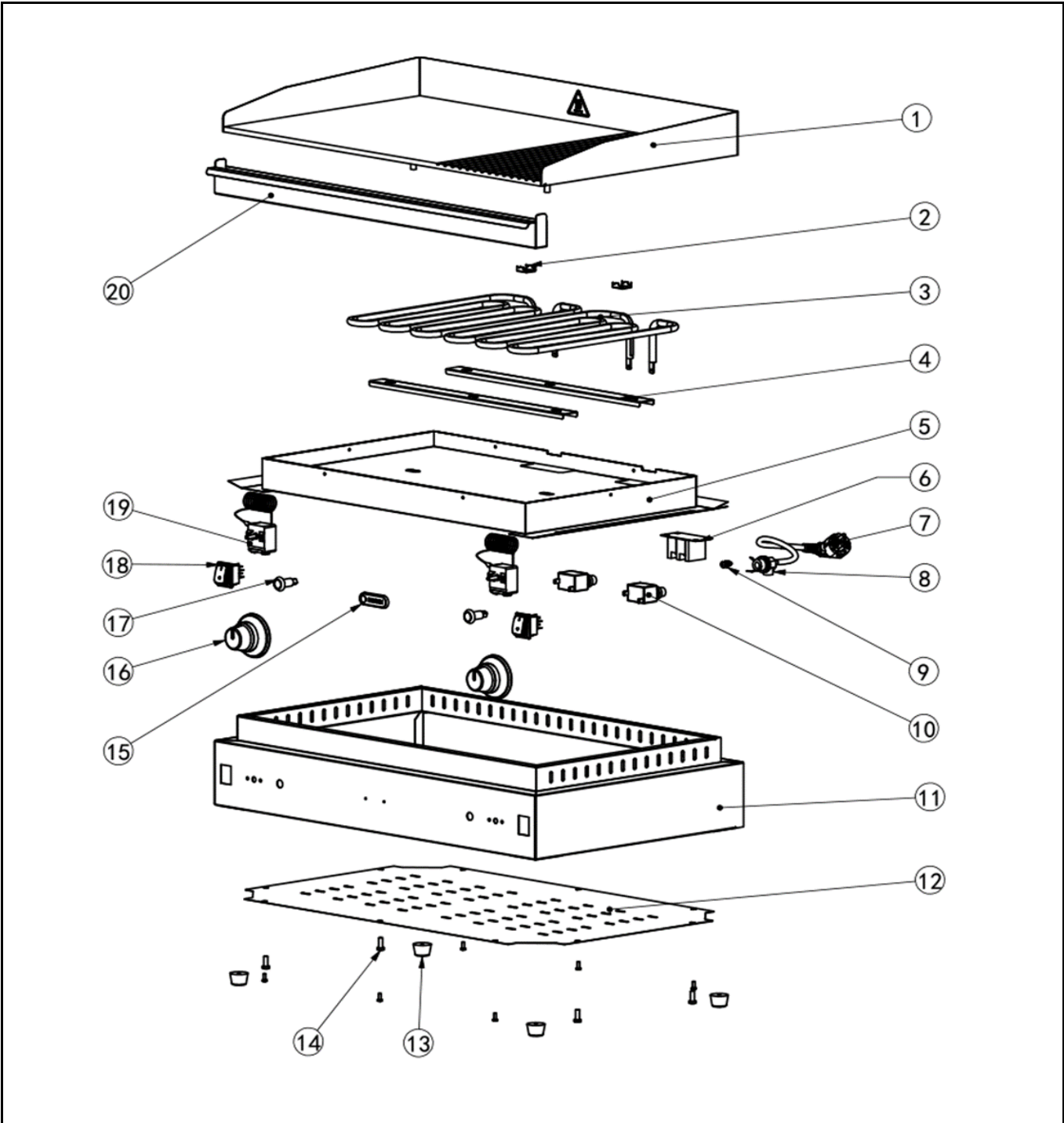
Hendi B.V.
 Innovatielaan 6
 6745 XW De Klomp
 The Netherlands

Batch #
 HK116523 and
 up


Appliance part#
154960

Description
 Griddle 2/3 flat, 1/3 ribbed Kitchen Line
 720mm

Date	29-11-2023	Revision #	V.01
Revision	First Bill of Materials (BOM)		



Bill of materials (BOM)

 HENDI <small>Tools for Chefs</small> Hendi B.V. Innovatielaan 6 6745 XW De Klomp The Netherlands	Batch #	Appliance part#
	HK116523 and up	154960
	Description	
Griddle 2/3 flat, 1/3 ribbed Kitchen Line 720mm		


Date	29-11-2023	Revision #	V.01
Revision	First Bill of Materials (BOM)		

Item	Description	Part#	Quantity	Remark	Picture
1	Griddle plate with backsplash	n/a	1		
2	Probe bracket	n/a	2		
3	Heating element 1750W	964347	2		
4	Heating element bracket	n/a	2		
5	Heating element cover	n/a	1		
6	Terminal	912041	1		
7	Power cord	912027	1		
8	Pull relief	912201	1		
9	Protected earth connector	n/a	1		
10	Hi-limiter	964279	2		
11	Housing frame	n/a	1		
12	Housing panel (bottom)	n/a	1		
13	Feet	964286	4	Set of 4 pcs	
14	Screw	n/a	10		
15	Logo badge "Hendi"	955963	1		
16	Thermostat knob	929865	2		
17	Indicator light (orange)	912003	2		
18	Switch	205426	2		
19	Thermostat (300°C)	964293	2		
20	Drip tray	964354	1		

n/a -> not available

nss -> not sold separately

Circuit diagram

 HENDI Tools for Chefs Hendi B.V. Innovatielaan 6 6745 XW De Klomp The Netherlands	Batch #	Appliance part#
	HK116523 and up	154960
	Description	
	Griddle 2/3 flat, 1/3 ribbed Kitchen Line 720mm	

Date	29-11-2023	Revision #	V.01
Revision	First Bill of Materials (BOM)		

