

Drawing



Tools for Chefs

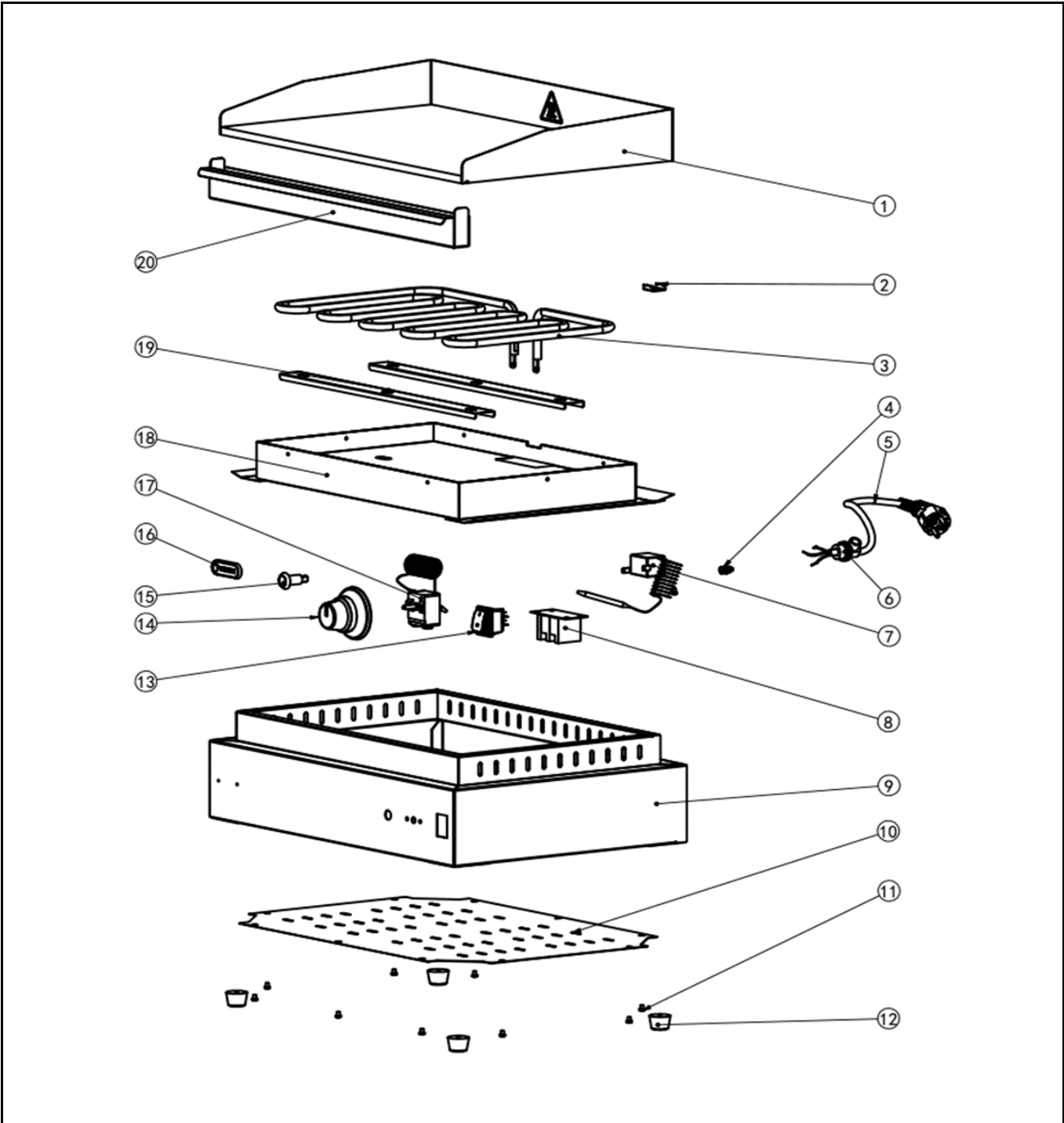
Hendi B.V.
 Innovatielaan 6
 6745 XW De Klomp
 The Netherlands

Batch #
 HK116523 and
 up


Appliance part#
154939

Description
 Griddle flat Kitchen Line 550mm

Date	29-11-2023	Revision #	V.01
Revision	First Bill of Materials (BOM)		



Bill of materials (BOM)

 <b style="font-size: 24px; margin-left: 10px;">HENDI <small style="color: green; margin-left: 10px;">Tools for Chefs</small> Hendi B.V. Innovatielaan 6 6745 XW De Klomp The Netherlands	Batch #	Appliance part#
	HK116523 and up	154939
	Description	
Griddle flat Kitchen Line 550mm		


Date	29-11-2023	Revision #	V.01
Revision	First Bill of Materials (BOM)		

Item	Description	Part#	Quantity	Remark	Picture
1	Griddle plate with backsplash	n/a	1		
2	Probe bracket	n/a	1		
3	Heating element 2400W	964323	1		
4	Protected Earth connector	n/a	1		
5	Power cord	912027	1		
6	Pull relief	912201	1		
7	Hi-limiter	964279	1		
8	Terminal	912041	1		
9	Housing frame	n/a	1		
10	Housing panel (bottom)	n/a	1		
11	Screw	n/a	10		
12	Feet	964286	4	Set of 4 pcs	
13	Switch	205426	1		
14	Thermostat knob	929865	1		
15	Indocator light (orange)	912003	1		
16	Logo badge "Hendi"	955963	1		
17	Thermostat (300°C)	964293	1		
18	Heating element cover	n/a	1		
19	Heating element bracket	n/a	2		
20	Drip tray	964330	1		

n/a -> not available

nss -> not sold separately

Circuit diagram

 <b style="font-size: 24px; margin-left: 10px;">HENDI Tools for Chefs Hendi B.V. Innovatielaan 6 6745 XW De Klomp The Netherlands	Batch #	Appliance part#
	HK116523 and up	154939
	Description	
Griddle flat Kitchen Line 550mm		

Date	29-11-2023	Revision #	V.01
Revision	First Bill of Materials (BOM)		

