
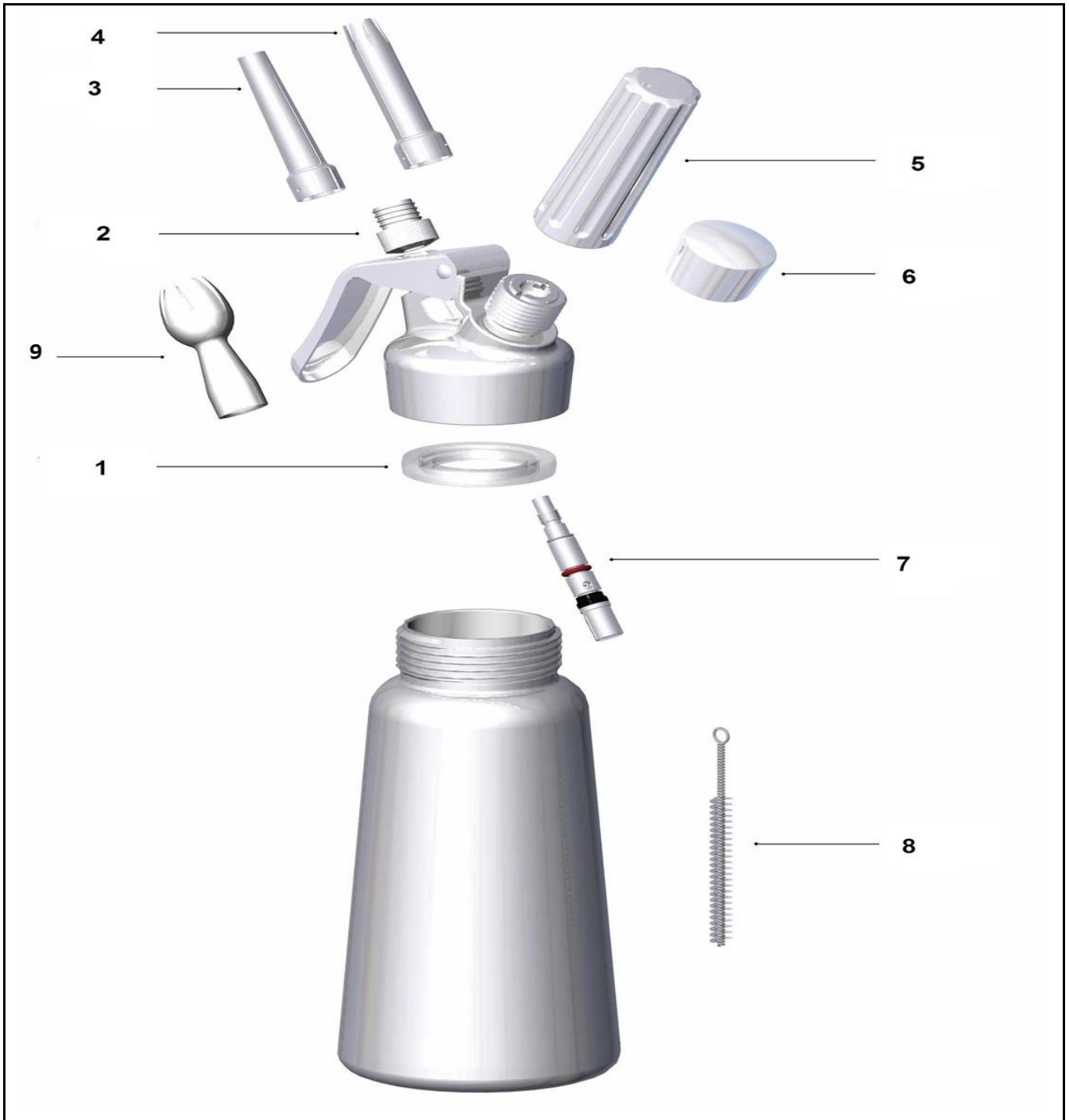



Drawing

 <b>HENDI</b> FOOD SERVICE EQUIPMENT <b>Hendi B.V.</b> Steenoven 21 3911 TX Rhenen The Netherlands	<b>Batch #</b>	<b>Appliance part#</b>
	300123 And up	<b>588024</b>
	<b>Description</b>	
	Whipped cream maker 1L	

<b>Date</b>	20-11-2013	<b>Revision #</b>	Revision version
<b>Revision</b>	New supplier		



### Bill of materials (BOM)

 <b>Hendi B.V.</b> Steenoven 21 3911 TX Rhenen The Netherlands	<b>Batch #</b>	<b>Appliance part#</b>
	300123 And up	<b>588024</b>
	<b>Description</b>	
<b>Whipped cream maker 1L</b>		

<b>Date</b>	20-11-2013	<b>Revision #</b>	Revision version
<b>Revision</b>	New supplier		

Item	Description	Part#	Quantity	Remark	Picture
1	Gasket	nss	1	Available as 589205	
2	Nozzle adapter	nss	1	Available as 589205	
3	Nozzle flat	nss	1	Available as 589205	
4	Nozzle straight	nss	1	Available as 589205	
5	Charger holder	nss	1	Available as 589205	
6	Cap	n/a	1		
7	Piston stainless steel	nss	1	Available as 589205	
8	Brush	nss	1	Available as 589205	
9	Nozzle Tulip	nss	1	Available as 589205	
	Repair set	589205	1	Incl item 1,2,3,4,5,7,8 and 9	

n/a -> not available

nss -> not sold separately