

Drawing



HENDI

Tools for Chefs

Hendi B.V.

Steenoven 21
3911 TX Rhenen
The Netherlands

Batch #

000000

Appliance part#

425411

Description

Juice dispenser 2x8L

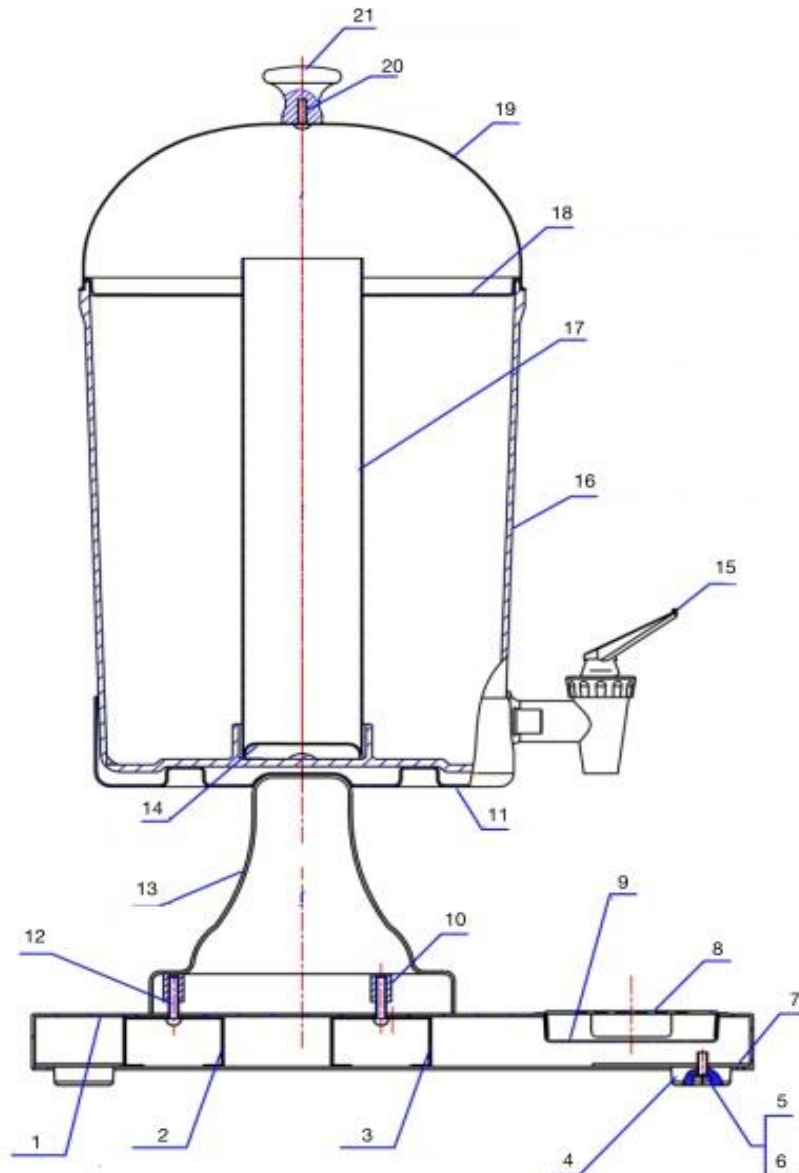
Date 09-04-2019

Revision #


1,1

Revision

New model with black/chrome faucet and container with handles, introduced from September 2018



Bill of materials (BOM)

 Hendi B.V. Steenoven 21 3911 TX Rhenen The Netherlands	Batch #	Appliance part#
	000000	425411
	Description	
Juice dispenser 2x8L		

Date	09-04-2019	Revision #	1,1
Revision	New model with black/chrome faucet and container with handles, introduced from September 2018		

Item	Description	Part#	Quantity	Remark	Picture
1	Frame base	n/a	2		
2	Bracket	n/a	2		
3	Bracket	n/a	2		
4	Foot	n/a	8		
5	Screw	n/a	8		
6	Washer	n/a	8		
7	Bracket	n/a	8		
8	Drip tray	901649	2		
9	Fixed tray	n/a	4		
10	Nut	n/a	4		
11	Base	n/a	1		
12	Screw	n/a	4		
13	Standard	n/a	2		
15	Faucet (incl gasket)	948118	2	Black/chrome	
16	Container 8L incl handle	948125	2	Incl handle	
17	Ice tube	901632	2		
18	Holder ice tube	901687	2		
19	Lid including knob	901601	2	Incl item 20 and 21	
20	Screw	nss	2		
21	Knob	nss	2		

n/a -> not available

nss -> not sold separately