
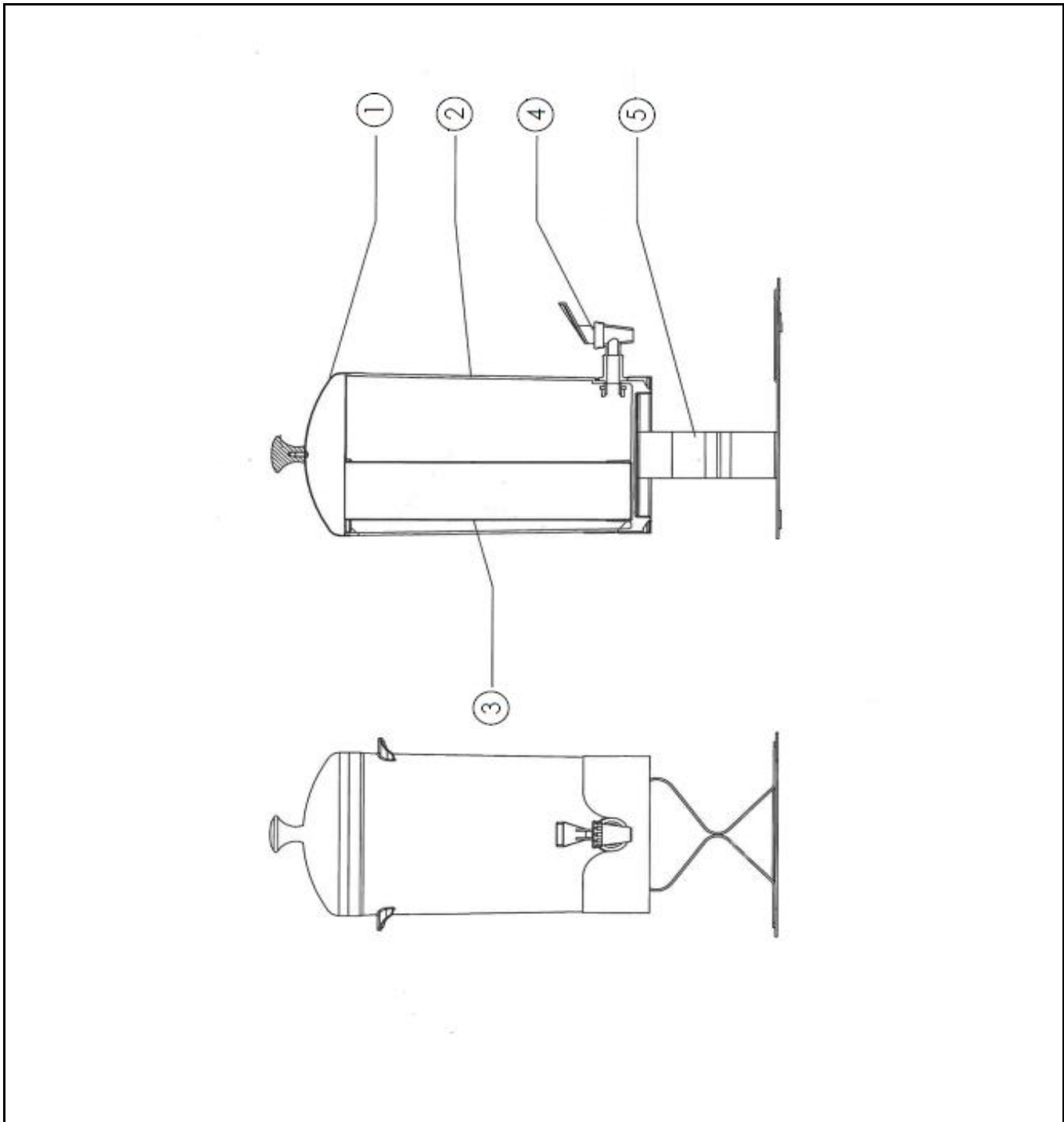



Drawing

|   |                    |                        |
|---|--------------------|------------------------|
| <br><b>Hendi B.V.</b><br>Steenoven 21<br>3911 TX Rhenen<br>The Netherlands | <b>Batch #</b>     | <b>Appliance part#</b> |
|   | 403017 and up      | 425190                 |
|   | <b>Description</b> |                        |
|   | Juice dispenser    |                        |

|                 |                               |                   |                  |
|-----------------|-------------------------------|-------------------|------------------|
| <b>Date</b>     | 20-06-2017                    | <b>Revision #</b> | Revision version |
| <b>Revision</b> | First bill of materials (BOM) |                   |                  |



**Bill of materials (BOM)**

|  |                    |                        |
|--|--------------------|------------------------|
|  <b>HENDI</b><br>FOOD SERVICE EQUIPMENT<br><br><b>Hendi B.V.</b><br>Steenoven 21<br>3911 TX Rhenen<br>The Netherlands | <b>Batch #</b>     | <b>Appliance part#</b> |
|  | 403017 and up      | <b>425190</b>          |
|  | <b>Description</b> |                        |
|  |                    | Juice dispenser        |

|                 |                               |                   |                  |
|-----------------|-------------------------------|-------------------|------------------|
| <b>Date</b>     | 20-06-2017                    | <b>Revision #</b> | Revision version |
| <b>Revision</b> | First bill of materials (BOM) |                   |                  |

| Item | Description | Part#  | Quantity | Remark | Picture |
|------|-------------|--------|----------|--------|---------|
| 1    | Lid         | 942789 | 1        |        |         |
| 2    | Container   | 942802 | 1        |        |         |
| 3    | Ice tube    | 942796 | 1        |        |         |
| 4    | Faucet      | 942819 | 1        |        |         |
| 5    | Base        | n/a    | 1        |        |         |
|      |             |        |          |        |         |
|      |             |        |          |        |         |

n/a -> not available

nss -> not sold separately