
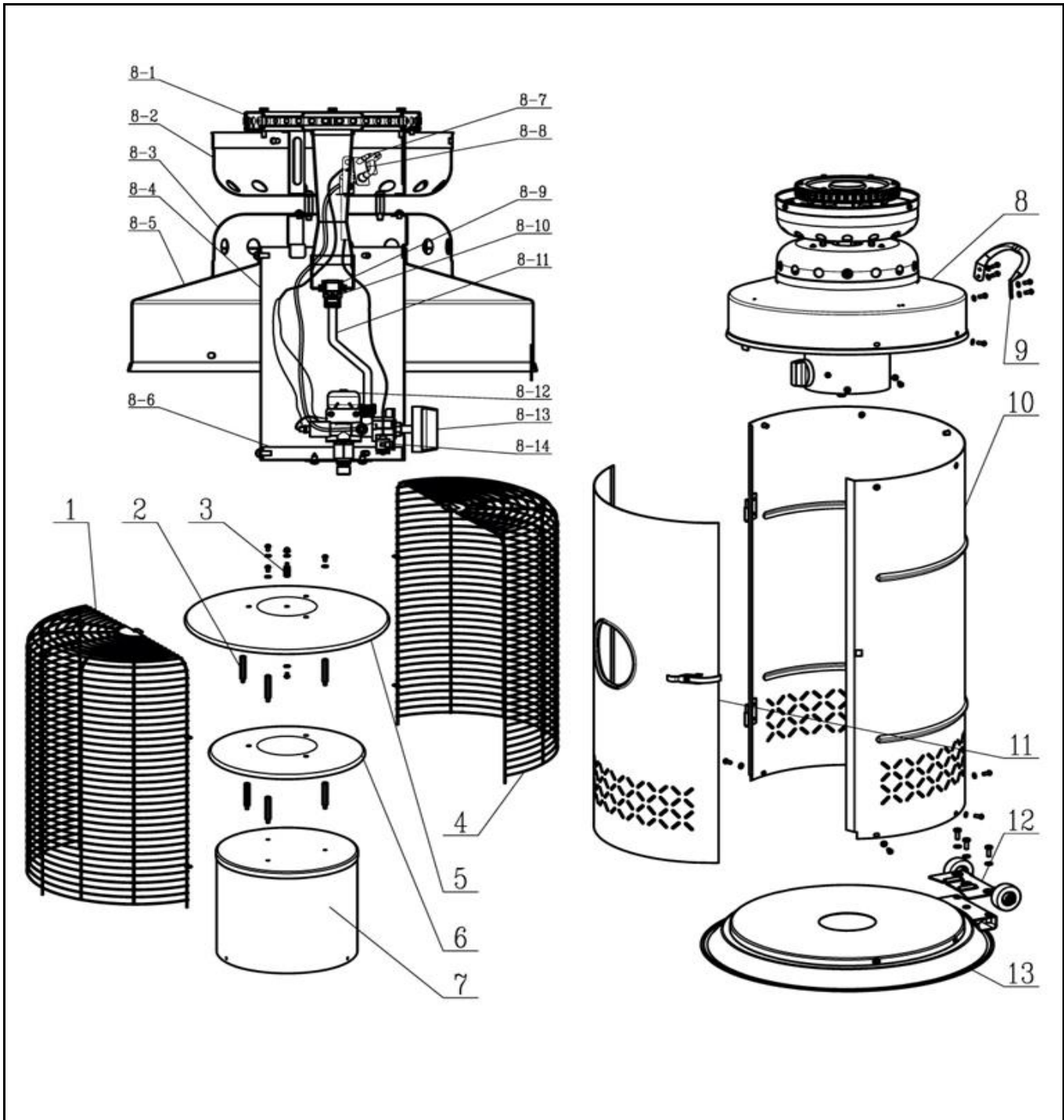



Drawing

 HENDI FOOD SERVICE EQUIPMENT Hendi B.V. Steenoven 21 3911 TX Rhenen The Netherlands	Batch #	Appliance part#
	662643 and up	272411
	Description	
	Lounge Heater	

Date	04-12-2017	Revision #	Revision version
Revision	First bill of materials (BOM)		



Bill of materials (BOM)

 HENDI FOOD SERVICE EQUIPMENT Hendi B.V. Steenoven 21 3911 TX Rhenen The Netherlands	Batch #	Appliance part#
	662643 and up	272411
	Description	
Lounge Heater		

Date	04-12-2017	Revision #	Revision version
Revision	First bill of materials (BOM)		

Item	Description	Part#	Quantity	Remark	Picture
1	Flame guard (part A)	942116	1	Incl item 4	
2	Stud (long)	942123	6	Incl item 3	
3	Stud (short)	nss	1	Available as 942116	
4	Flame guard (part B)	nss	1	Available as 942123	
5	Reflector (A)	n/a	1		
6	Reflector (B)	n/a	1		
7	Burner screen	n/a	1		
8	Burner assembly complete	n/a	1		
8-1	Burner ring	920251	1		
8-2	Lower tray (A)	n/a	1		
8-3	Lower tray (B)	n/a	1		
8-4	Valve panel	n/a	1		
8-5	Upper housing	n/a	1		
8-6	Lower cover valve panel	n/a	1		
8-7	Thermocouple/safety switch (set)	272138	1	Incl item 8-12	
8-8	Pilot set complete	942130	1		
8-9	Nut	n/a	1		
8-10	Nozzle	920220	1		
8-11	Gas pipe assembly	942147	1		
8-12	Tilt switch	nss	1	Availabel as 272138	
8-13	Knob	272244	1		
8-14	Gas Valve incl Gas Connection and igniter	942154	1		
9	Handle	942161	1		
10	Housing	n/a	1		
11	Door	n/a	1		
12	Wheel	942178	2		
13	Base	942185	1		
	Gas hose assembly	272275	1	*not shown on exploded view	
	Hinge door	942086	2	*not shown on exploded view	
	Door lock	272169	1	*not shown on exploded view	
	Gas regulator 50mBar	152157	1	*optional, not shown on exploded view	
	Gas regulator 37mBar	152188	1	*optional, not shown on exploded view	
	Protective cover	144954	1	*optional, not shown on exploded view	

n/a -> not available

nss -> not sold separately