
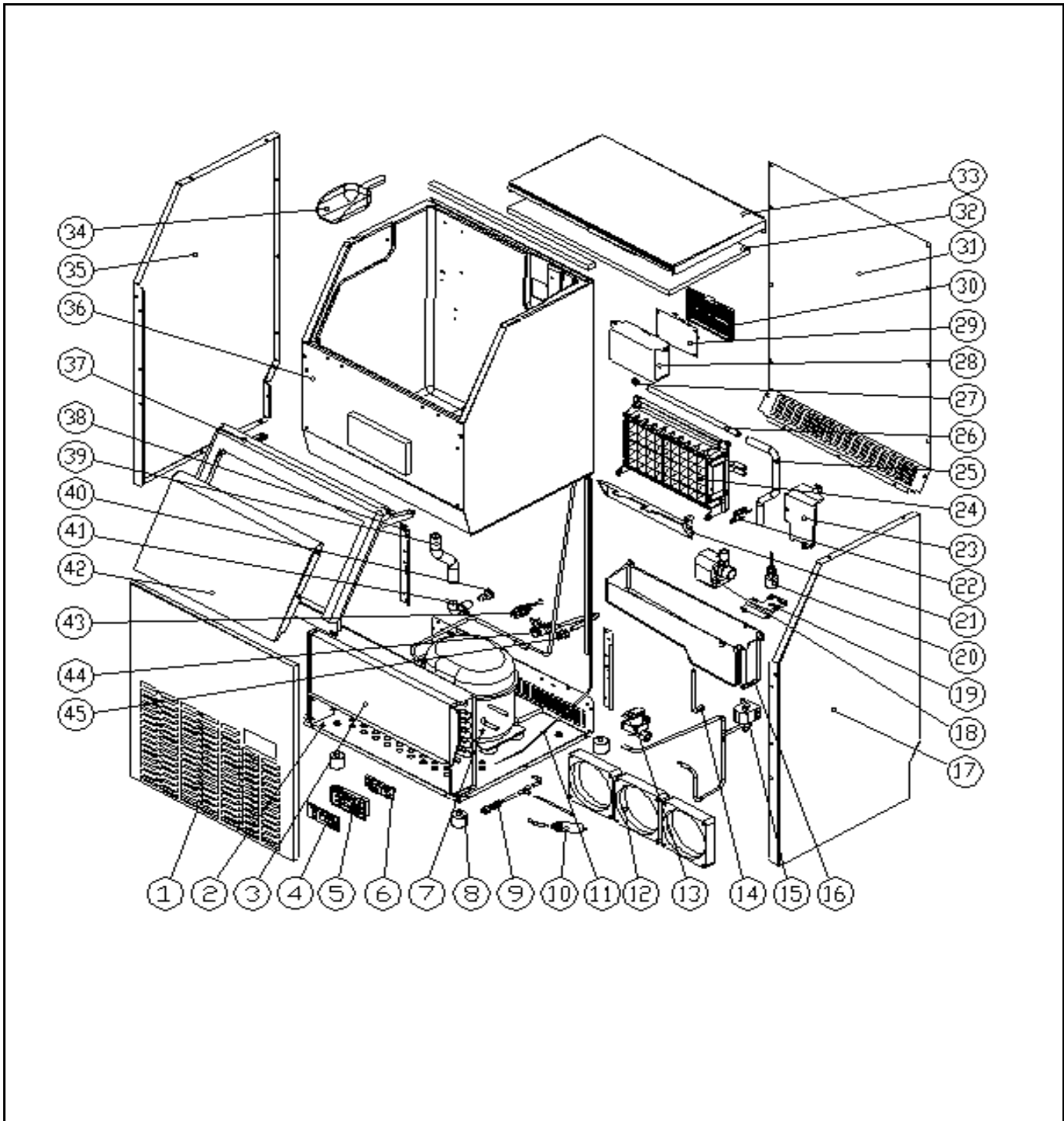



Drawing

 HENDI FOOD SERVICE EQUIPMENT Hendi B.V. Steenoven 21 3911 TX Rhenen The Netherlands	Batch #	Appliance part#
	502243 and up	271575
	Description	
	Ice cube machine	

Date	14-06-2016	Revision #	Revision version
Revision	First bill of materials (BOM)		



Bill of materials (BOM)

 Hendi B.V. Steenoven 21 3911 TX Rhenen The Netherlands	Batch #	Appliance part#
	502243 and up	271575
	Description	
	Ice cube machine	


Date	14-06-2016	Revision #	Revision version
Revision	First bill of materials (BOM)		

Item	Description	Part#	Quantity	Remark	Picture
1	Front panel	n/a	1		
2	Frame	n/a	1		
3	Condenser	n/a	1		
4	Display sticker	939727	1		
5	Display bracket	n/a	1		
6	Display pcb	939734	1		
7	Compressor	n/a	1		
8	Feet	939741	4		
9	Nipple	n/a	1		
10	Filter drier	n/a	1		
11	Tubing	n/a	1		
12	Fan	903605	2		
13	Watervalue	939758	1		
14	Water drain	n/a	1		
15	Electromagnetic valve	903612	1		
16	Water container	n/a	1		
17	Side cover (right)	n/a	1		
18	Water pump	903445	1		
19	Cover water container	n/a	1		
20	Float operated switch	939765	1		
21	Flap with magnet	939772	1		
22	Reed contact	939789	1		
23	Cover	n/a	1		
24	Evaporator	n/a	1		
25	Silicone tubing	n/a	1		
26	Tubing	n/a	1		
27	Plug	n/a	1		
28	Bracket Pcb	n/a	1		
29	Main Pcb	939796	1		
30	Cover pcb	n/a	1		
31	Back cover	n/a	1		
32	Insulation	n/a	1		
33	Upper cover	n/a	1		
34	Ice scoop	nss	1	Available as 939918	
35	Side cover (left)	n/a	1		
36	Container	n/a	1		
37	Lid bracket	n/a	1		
38	Bracket	n/a	1		
39	Drain pipe	n/a	1		
40	Drain plug	939802	1		
41	Lead through	n/a	1		
42	Lid	n/a	1		
43	Water inlet	939819	1		
44	Power cord	205303	1		
45	Retainer	904374	1		
*	Installation set	939918	1	Contains, 3/4 water connection /hose gasket, drain hose, scoop.	

n/a -> not available

nss -> not sold separately

Circuit diagram

 HENDI FOOD SERVICE EQUIPMENT Hendi B.V. Steenoven 21 3911 TX Rhenen The Netherlands	Batch #	Appliance part#
	502243 and up	271575
	Description	
	Ice cube machine	

Date	14-06-2016	Revision #	Revision version
Revision	First bill of materials (BOM)		

