
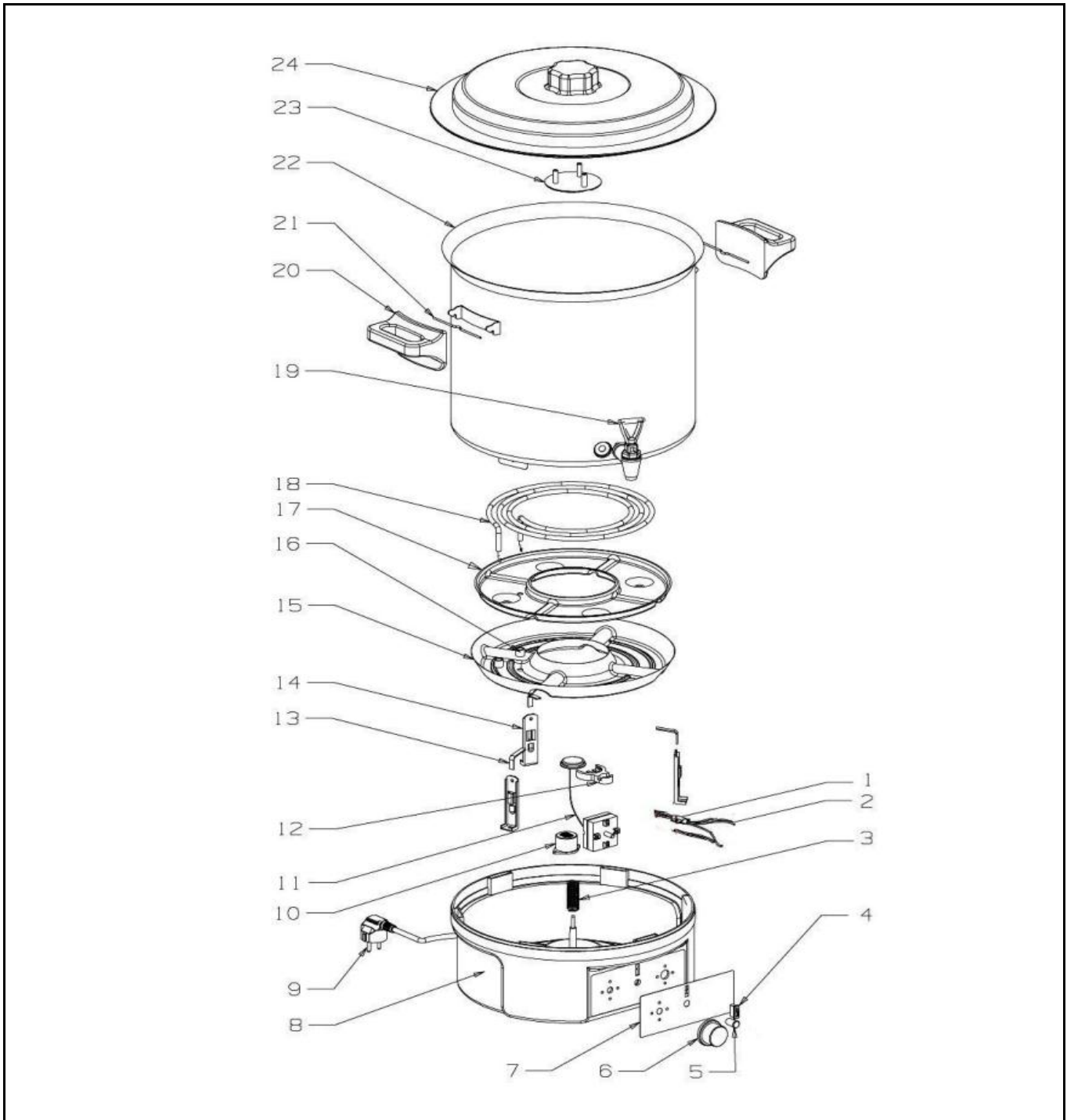



Drawing

 <b style="font-size: 2em; margin-left: 10px;">HENDI <small>FOOD SERVICE EQUIPMENT</small> Hendi B.V. Steenoven 21 3911 TX Rhenen The Netherlands	Batch #	Appliance part#
	301385 and up	240601
	Description	
	Weckkettle	

Date	28-06-2013	Revision #	Revision version
Revision	First bill of materials (BOM)		



Bill of materials (BOM)

 <p>Hendi B.V. Steenoven 21 3911 TX Rhenen The Netherlands</p>	Batch #	Appliance part#
	301385 and up	240601
	Description	
	Weckkettle	


Date	28-06-2013	Revision #	Revision version
Revision	First bill of materials (BOM)		

Item	Description	Part#	Quantity	Remark	Picture
1	Thermal fuse	930892	1		
2	Internal wiring	n/a	1		
3	Spring	n/a	1		
4	Switch	930908	1		
5	Indicator light	930915	1		
6	Knob thermostat	930922	1		
7	Front label	n/a	1		
8	Lower housing	n/a	1		
9	Power cord	205303	1		
10	Buzzer	930939	1		
11	Thermostat	930946	1		
12	Bracket probe	n/a	1		
13	Lip	n/a	4		
14	Bracket	n/a	4		
15	Heat shield	n/a	1		
16	Pillar	n/a	2		
17	Element cover	n/a	1		
18	Element 1800W	930953	1		
19	Faucet	930960	1		
20	Handle	930977	2	Incl item 21	
21	Pin	nss	2		
22	Container	n/a	1		
23	Inner cover	nss	1		
24	Lid	930984	1	Incl item 23	

n/a -> not available

nss -> not sold separately

Circuit diagram

 <p>HENDI FOOD SERVICE EQUIPMENT</p> <p>Hendi B.V. Steenoven 21 3911 TX Rhenen The Netherlands</p>	Batch #	Appliance part#
	301385 and up	240601
	Description	
	Weckkettle	

Date	28-06-2013	Revision #	Revision version
Revision	First bill of materials (BOM)		

