
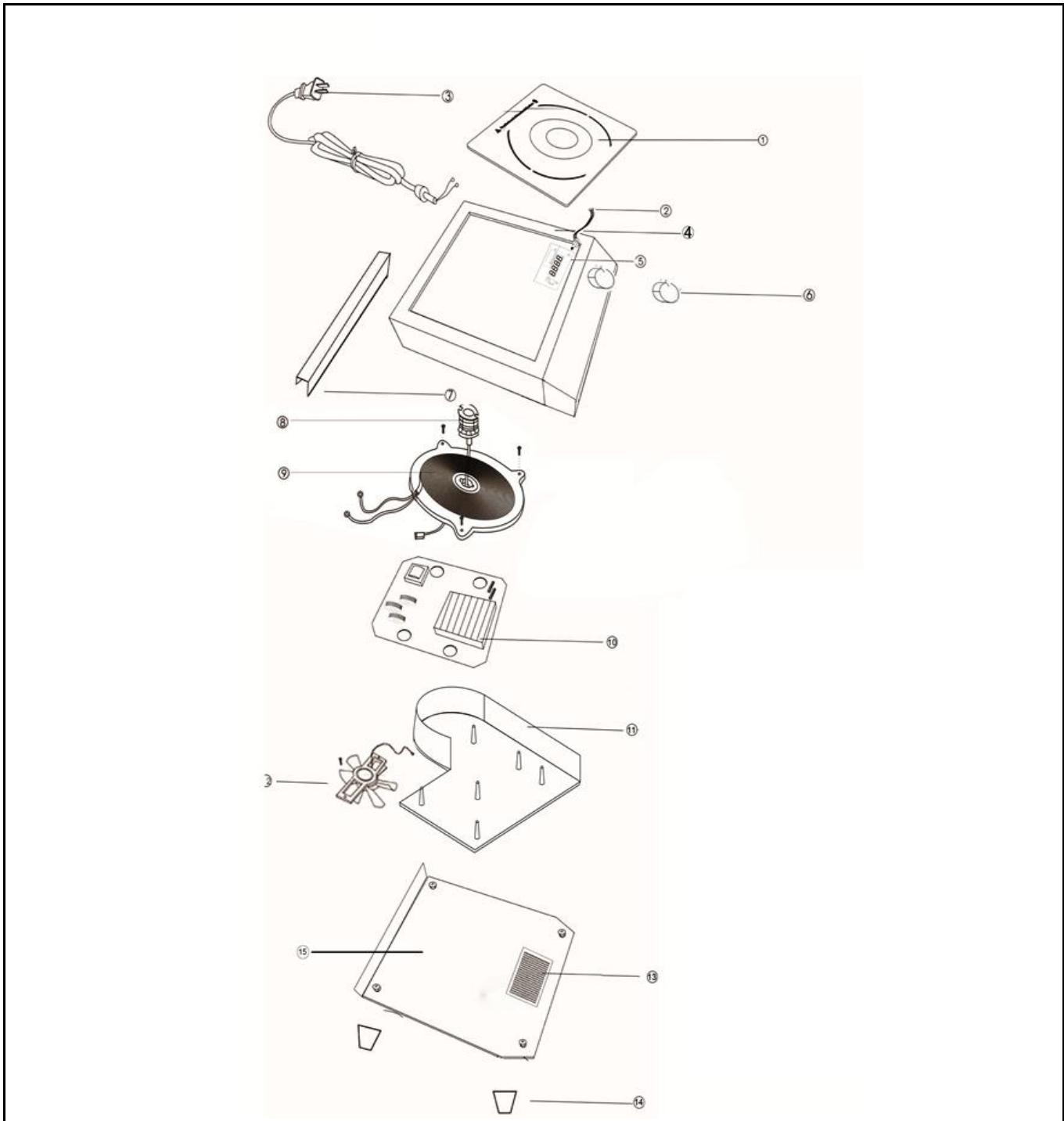



Drawing

 Hendi B.V. Steenoven 21 3911 TX Rhenen The Netherlands	Batch #	Appliance part#
	901002 until 901876	239780
	Description	
	Induction cooker 3500W	

Date	29-01-2013	Revision #	Revision version 1.1
Revision	New version control pcb.		



Bill of materials (BOM)

 Hendi B.V. Steenoven 21 3911 TX Rhenen The Netherlands	Batch #	Appliance part#
	901002 until 901876	239780
	Description	
	Induction cooker 3500W	


Date	29-01-2013	Revision #	Revision version 1.1
Revision	New version control pcb.		

Item	Description	Part#	Quantity	Remark	Picture
1	Glass plate	nss	1	Available as 919408	
2	Control pcb	919422	1		
3	Power cord	929353	1		
4	Upper housing	919408	1	Incl item 1	
5	Display pcb	919439	1		
6	Knob	919453	1		
7	Bracket	n/a	1		
8	Sensor	929360	1		
9	Induction coil	919460	1		
10	Main pcb	919415	1		
11	Bracket	n/a	1		
12	Fan 18V	919446	1		
13	Filter	929377	1		
14	Foot	929384	4		
15	Bottom cover	n/a	1		

n/a -> not available

nss -> not sold separately

Wiring diagram

 <b style="font-size: 24px; font-weight: bold; color: red;">HENDI <small>FOOD SERVICE EQUIPMENT</small> Hendi B.V. Steenoven 21 3911 TX Rhenen The Netherlands	Batch #	Appliance part#
	901002 until 901876	239780
	Description	
	Induction cooker 3500W	

Date	29-01-2013	Revision #	Revision version 1.1
Revision	New version control pcb.		

