

Drawing



Tools for Chefs

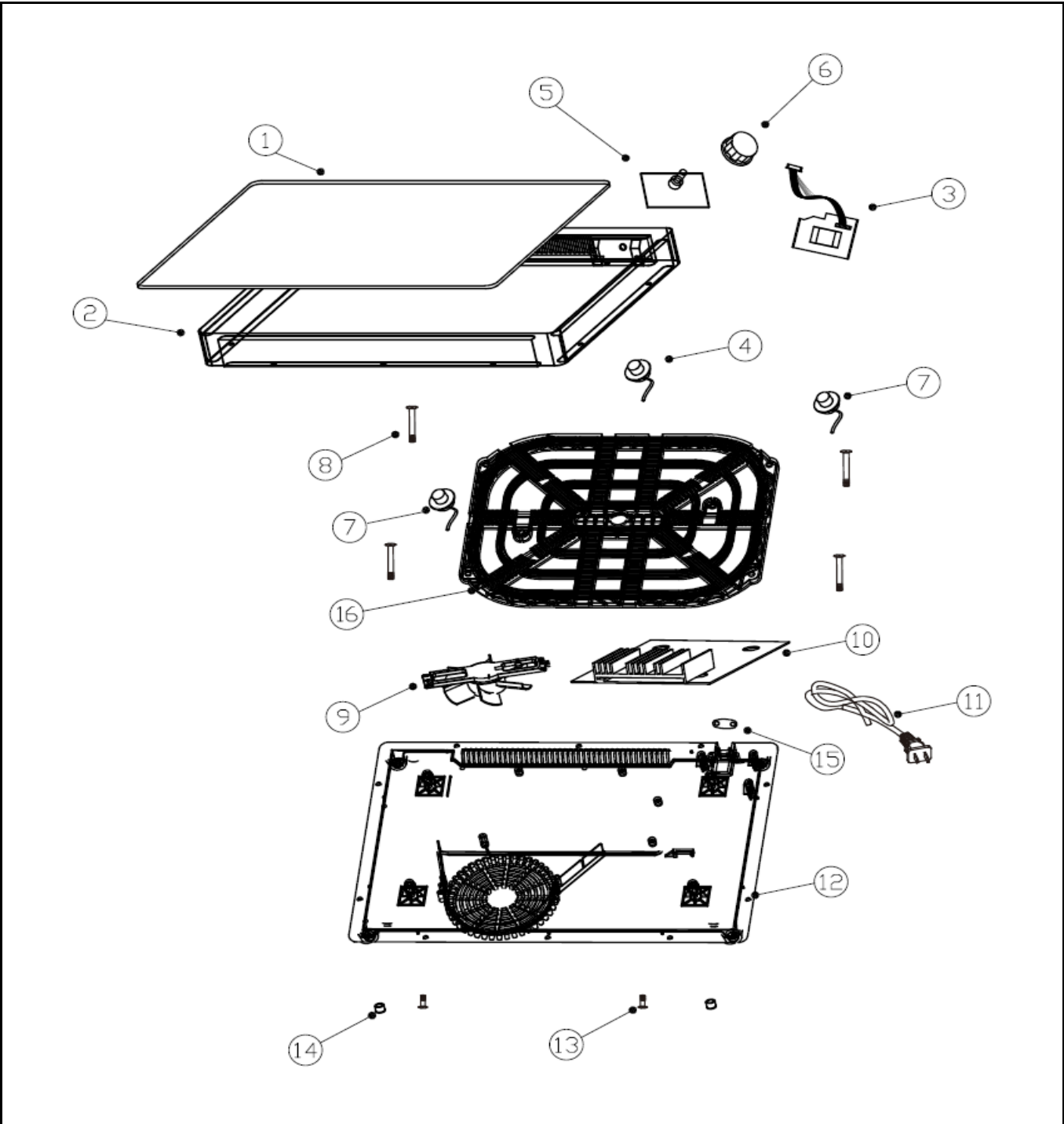
Hendi B.V.
Steenoven 21
3911 TX Rhenen
The Netherlands

Batch #
HK027219 and
up


Appliance part#
239384

Description
Induction Hot Plate Black Line

Date	14-01-2020	Revision #	Revision version
Revision	First bill of materials (BOM)		



Bill of materials (BOM)

 <b style="font-size: 24px; margin-left: 10px;">HENDI <small style="color: green; margin-left: 10px;">Tools for Chefs</small> Hendi B.V. Steenoven 21 3911 TX Rhenen The Netherlands	Batch #	Appliance part#
	HK027219 and up	239384
	Description	
Induction Hot Plate Black Line		


Date	14-01-2020	Revision #	Revision version
Revision	First bill of materials (BOM)		

Item	Description	Part#	Quantity	Remark	Picture
1	Glass Plate	n/a	1		
2	Upper Housing	n/a	1		
1 + 2	Upper Housing incl. Glass	n/a	1		
3	Control PCB	n/a	1		
4	Sensor A	n/a	1		
5	Knob Control PCB	n/a	1		
6	Knob	n/a	1		
7	Sensor B	n/a	2		
8	Mounting screw Coil	n/a	4		
9	Fan	919446	1		
10	Main PCB	n/a	1		
11	Powercord	n/a	1		
12	Bottom Housing	n/a	1		
13	Mounting screw Bottom Plate	n/a	4		
14	Feet	n/a	4		
15	Powercord retention	n/a	1		
16	Main Coil	n/a	1		

n/a -> not available

nss -> not sold separately

Wiring diagram

 <b style="font-size: 2em; margin-left: 10px;">HENDI Tools for Chefs Hendi B.V. Steenoven 21 3911 TX Rhenen The Netherlands	Batch #	Appliance part#
	HK027219 and up	239384
	Description	
	Induction Hot Plate Black Line	

Date	14-01-2020	Revision #	Revision version
Revision	First bill of materials (BOM)		

