
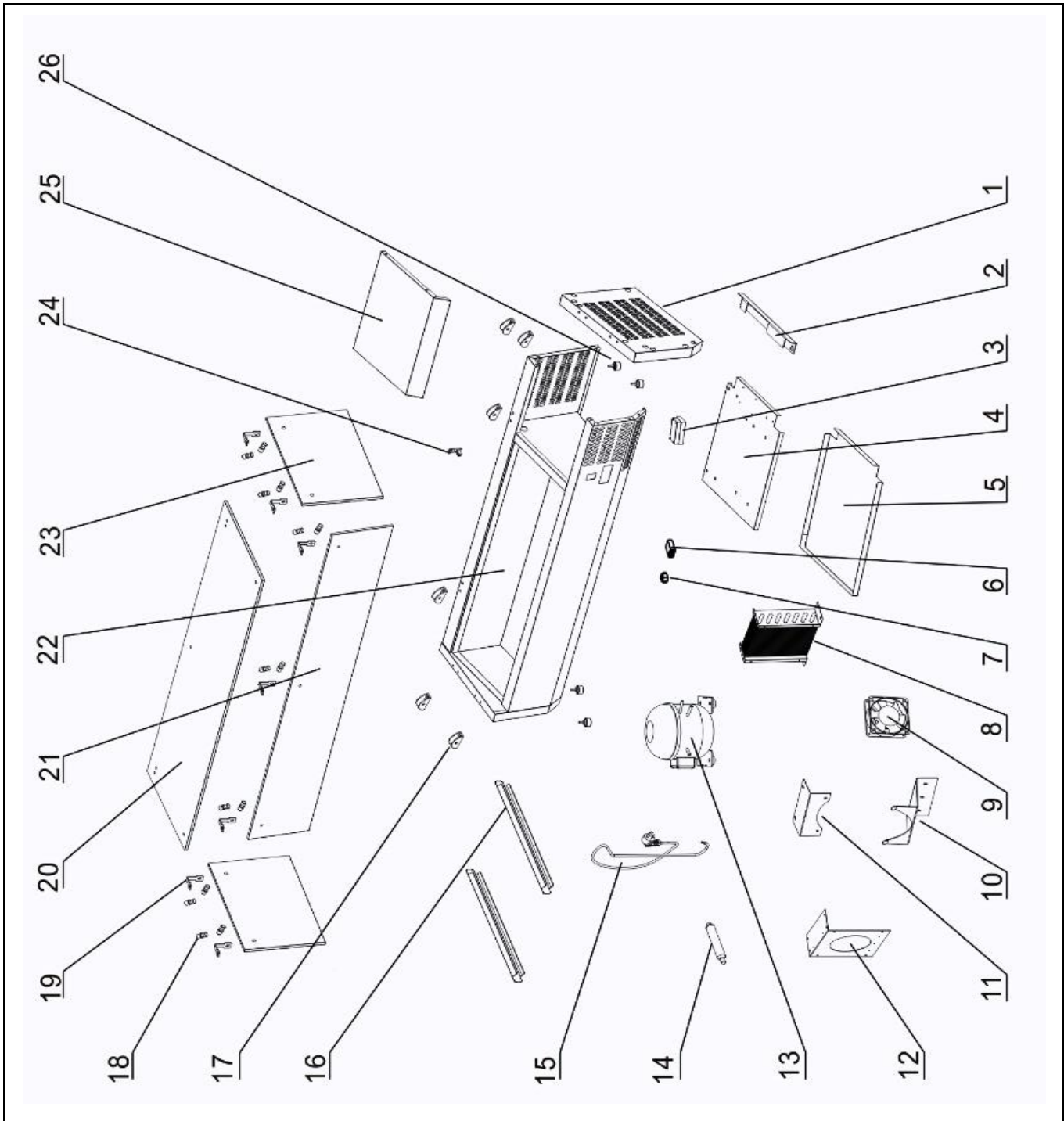



Drawing

 HENDI FOOD SERVICE EQUIPMENT Hendi B.V. Steenoven 21 3911 TX Rhenen The Netherlands	Batch #	Appliance part#
	700967 and up	232927
	Description	
	Cooling display 9x GN1/4	

Date	27-09-2016	Revision #	Revision version
Revision	First bill of materials (BOM)		



Bill of materials (BOM)

 <b style="font-size: 24px; font-weight: bold;">HENDI <small>FOOD SERVICE EQUIPMENT</small> Hendi B.V. Steenoven 21 3911 TX Rhenen The Netherlands	Batch #	Appliance part#
	700967 and up	232927
	Description	
	Cooling display 9x GN1/4	


Date	27-09-2016	Revision #	Revision version
Revision	First bill of materials (BOM)		

Item	Description	Part#	Quantity	Remark	Picture
1	Side cover	n/a	1		
2	Bracket side cover	n/a	1		
3	Junction Box	n/a	1		
4	Bracket	n/a	1		
5	Bottom cover	n/a	1		
6	Digital controller Dixell (Cooling)	931608	1		
7	Switch	205426	1		
8	Condenser	n/a	1		
9	Fan	931875	1		
10	Lower bracket fan	n/a	1		
11	Upper bracket fan	n/a	1		
12	Air duct	n/a	1		
13	Compressor	n/a	1		
14	Drying filter	n/a	1		
15	Power cord	931554	1		
16	Adaptor bar 270x75mm	931615	4		
17	Fixture glass	931639	6		
18	Bolt and nut	nss	14	Available as 931646	
19	Angle bracket	931646	7	Sold per pcs, Incl item 18	
20	Upper glass plate	941683	1	1793x330x8mm	
21	Back glass plate	941690	1	1770x175x8mm	
22	Frame	n/a	1		
23	Left / right glass plate	931677	2	330x195x8mm	
24	Holder probe	n/a	1		
25	Upper cover	n/a	1		
26	Feet	931523	4		

n/a -> not available

nss -> not sold separately

Circuit diagram

 <p>Hendi B.V. Steenoven 21 3911 TX Rhenen The Netherlands</p>	Batch #	Appliance part#
	700967 and up	232927
	Description	
	Cooling display 9x GN1/4	

Date	27-09-2016	Revision #	Revision version
Revision	First bill of materials (BOM)		

