
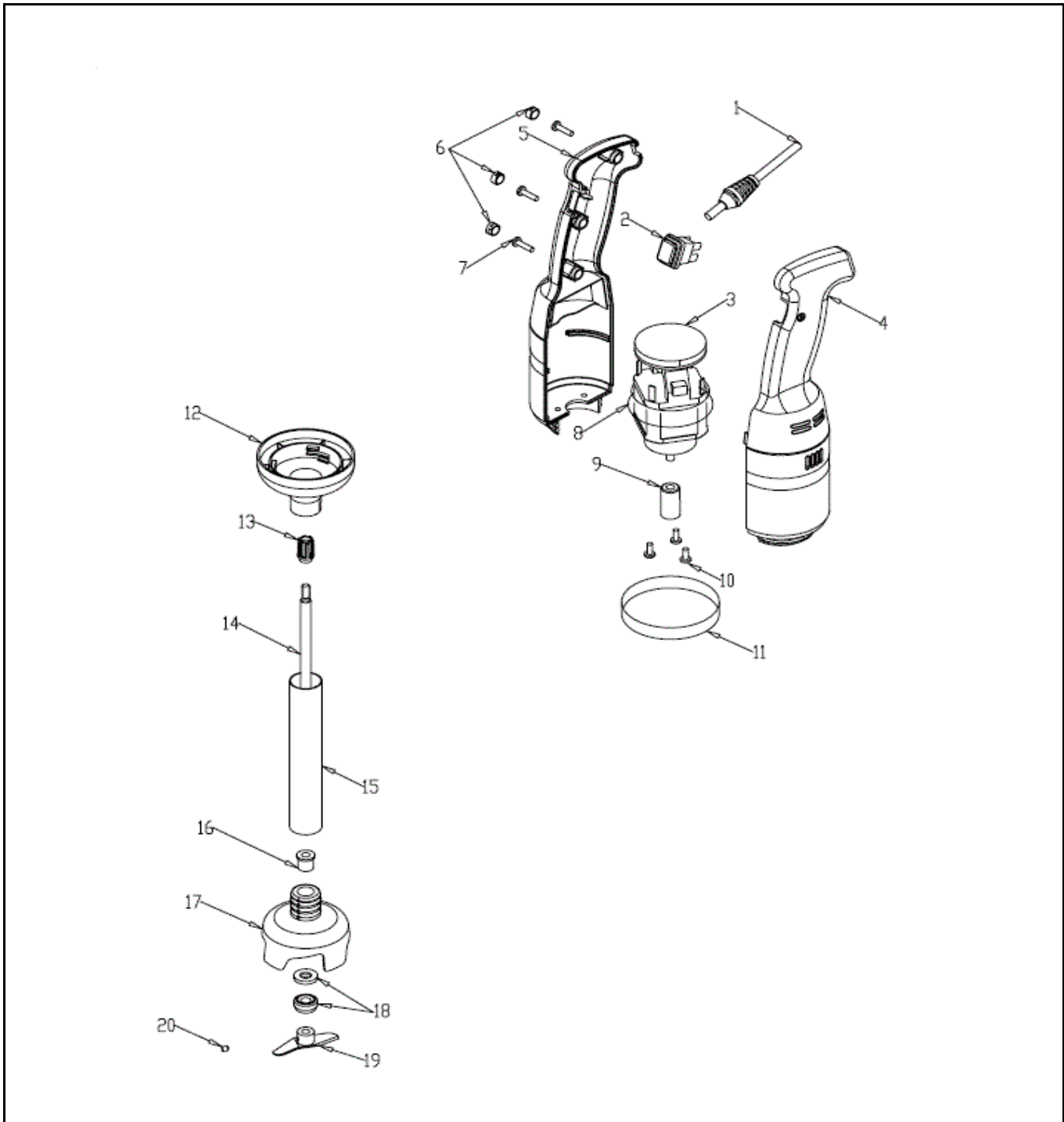



Drawing

| | | |
|---|-------------------------|------------------------|
|  Hendi B.V. Steenoven 21 3911 TX Rhenen The Netherlands | Batch # | Appliance part# |
| | 0000000 | 224328 |
| | Description | |
| | Stick Blender Hendi 250 | |

| | | | |
|-----------------|-------------------------------|-------------------|------------------|
| Date | 15-11-2018 | Revision # | Revision version |
| Revision | First bill of materials (BOM) | | |



Bill of materials (BOM)

| | | |
|---|-------------------------|------------------------|
|  <b style="font-size: 24px; font-weight: bold;">HENDI <small>FOOD SERVICE EQUIPMENT</small> Hendi B.V. Steenoven 21 3911 TX Rhenen The Netherlands | Batch # | Appliance part# |
| | 0000000 | 224328 |
| | Description | |
| | Stick Blender Hendi 250 | |


| | | | |
|-----------------|-------------------------------|-------------------|------------------|
| Date | 15-11-2018 | Revision # | Revision version |
| Revision | First bill of materials (BOM) | | |

| Item | Description | Part# | Quantity | Remark | Picture |
|------|---------------------|--------|----------|---------------------|---------|
| 1 | Powercord | 929247 | 1 | | |
| 2 | Switch | 929254 | 1 | | |
| 3 | Motor 250W | 929261 | 1 | | |
| 4 | Housing leftside | n/a | 1 | | |
| 5 | Housing right side | n/a | 1 | | |
| 6 | Coverplug housing | 929278 | 3 | (set of 3 pcs) | |
| 7 | Screw | n/a | 3 | | |
| 8 | Ring | n/a | 1 | | |
| 9 | Gear (female) | 929193 | 1 | | |
| 10 | Screw | n/a | 3 | | |
| 11 | Sticker | 929285 | 1 | | |
| 12 | Cap | n/a | 1 | | |
| 13 | Gear (male) | 929292 | 1 | | |
| 14 | Axle 8mm L=150mm | n/a | 1 | | |
| | Axle 8mm L=200mm | n/a | 1 | | |
| 15 | Tube 25x1 L=150mm | n/a | 1 | | |
| | Tube 25x1 L=200mm | n/a | 1 | | |
| 16 | Sintermetal bushing | 929315 | 1 | | |
| 17 | Cap stick | n/a | 1 | | |
| 18 | Oil seal | 929322 | 1 | | |
| 19 | Knife | 929339 | 1 | | |
| 20 | Hex screw | nss | 1 | Available as 929339 | |
| | | | | | |
| | | | | | |
| | | | | | |

n/a -> not available

nss -> not sold separately

Circuit diagram

| | | |
|---|-------------------------|------------------------|
|  Hendi B.V. Steenoven 21 3911 TX Rhenen The Netherlands | Batch # | Appliance part# |
| | 0000000 | 224328 |
| | Description | |
| | Stick Blender Hendi 250 | |

| | | | |
|-----------------|-------------------------------|-------------------|------------------|
| Date | 15-11-2018 | Revision # | Revision version |
| Revision | First bill of materials (BOM) | | |

Not Available.