

Drawing



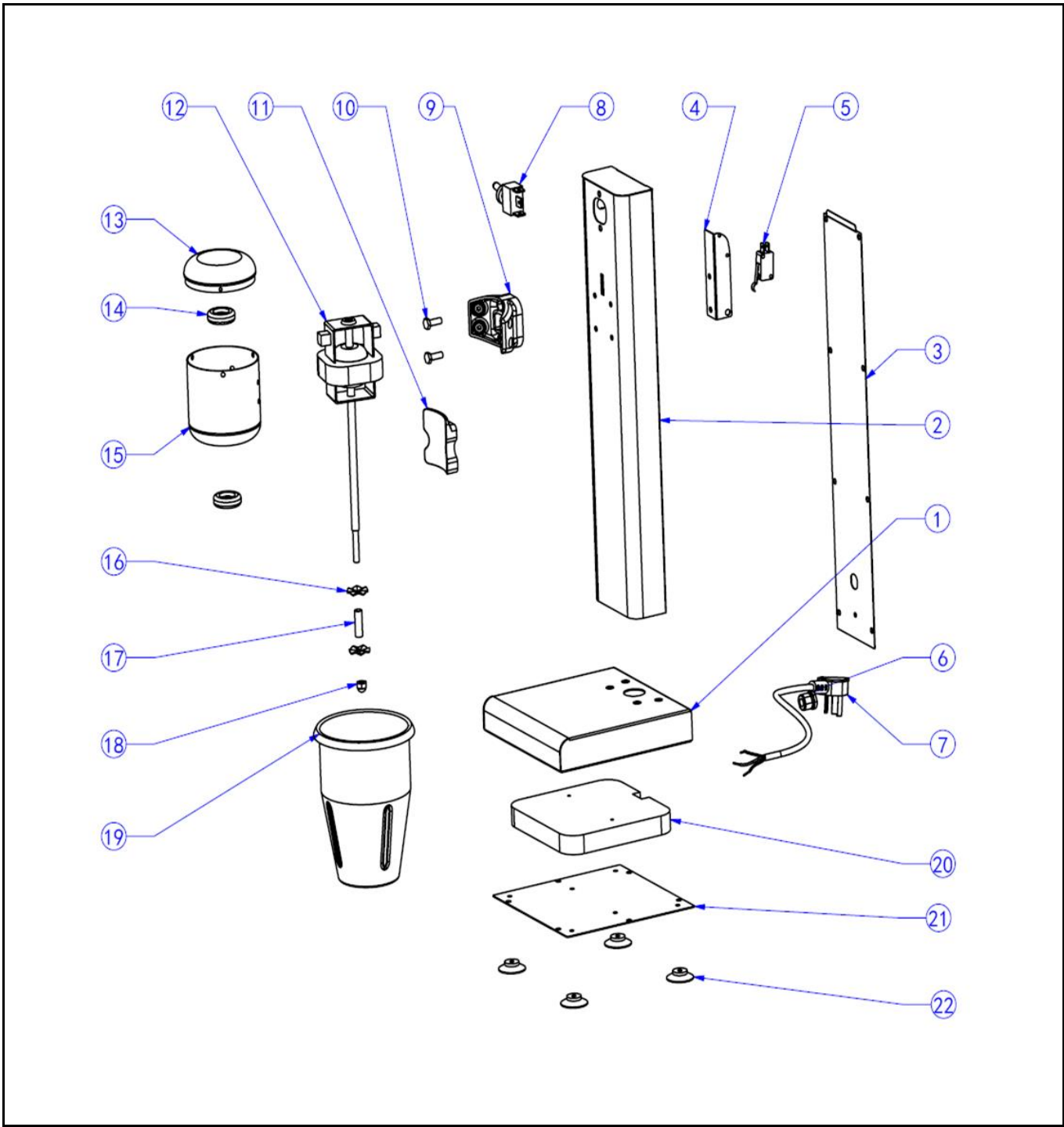
Hendi B.V.
Steenoven 21
3911 TX Rhenen
The Netherlands

Batch #
000000 and up


Appliance part#
224038

Description
Milkshaker 1 Liter

Date	25-06-2018	Revision #	1.0
Revision	First Bill of Materials (BOM)		



Bill of materials (BOM)

 HENDI FOOD SERVICE EQUIPMENT Hendi B.V. Steenoven 21 3911 TX Rhenen The Netherlands	Batch #	Appliance part#
	000000 and up	224038
	Description	
	Milkshaker 1 Liter	


Date	25-06-2018	Revision #	1.0
Revision	First Bill of Materials (BOM)		

Item	Description	Part#	Quantity	Remark	Picture
1	Base Housing	n/a	1		
2	Column Housing	n/a	1		
3	Column Back Cover	n/a	1		
4	Support Bracket	n/a	1		
5	Microswitch	945360	1		
6	Plug	nss	1		
7	Powercord	945377	1	Incl. item 6	
8	Powerswitch (3-speed)	945384	1		
9	Plastic Bracket	n/a	1		
10	Screw	n/a	2		
11	Beaker Holder	n/a	1		
12	Motor	945391	1		
13	Top Cover Motor Housing	nss	1		
14	Oil Seal	945407	2		
15	Motor Housing	n/a	1	Includes item 13	
16	Blade (stainless steel)	945414	1	Set of 2 Blades Incl. items 17, 18, 25	
17	Blade connector Bus Ø8mm	nss	1	Included in blade sets	
18	Dome Nut M6	nss	1	Included in blade sets	
19	Milkshake Beaker (stainless steel)	942758	1		
20	Stabilizer Plate	n/a	1		
21	Bottom Cover	n/a	1		
22	Feet	945421	1	Set of 4 feet	
23	Blade (plastic, large)	nss	1		
24	Blade (plastic, small)	nss	1		
24A	Blade Set Plastic	945438	1	Incl. items 17,18,23,24 and 25	
25	Wrench	nss	1	Included in blade sets	
26	Milkshake Beaker (polycarbonate)	942765	1		

n/a -> not available

nss -> not sold separately

Circuit diagram

 <p>Hendi B.V. Steenoven 21 3911 TX Rhenen The Netherlands</p>	Batch #	Appliance part#
	000000 and up	224038
	Description	
	Milkshaker 1 Liter	

Date	25-06-2018	Revision #	1.0
Revision	First Bill of Materials (BOM)		

