
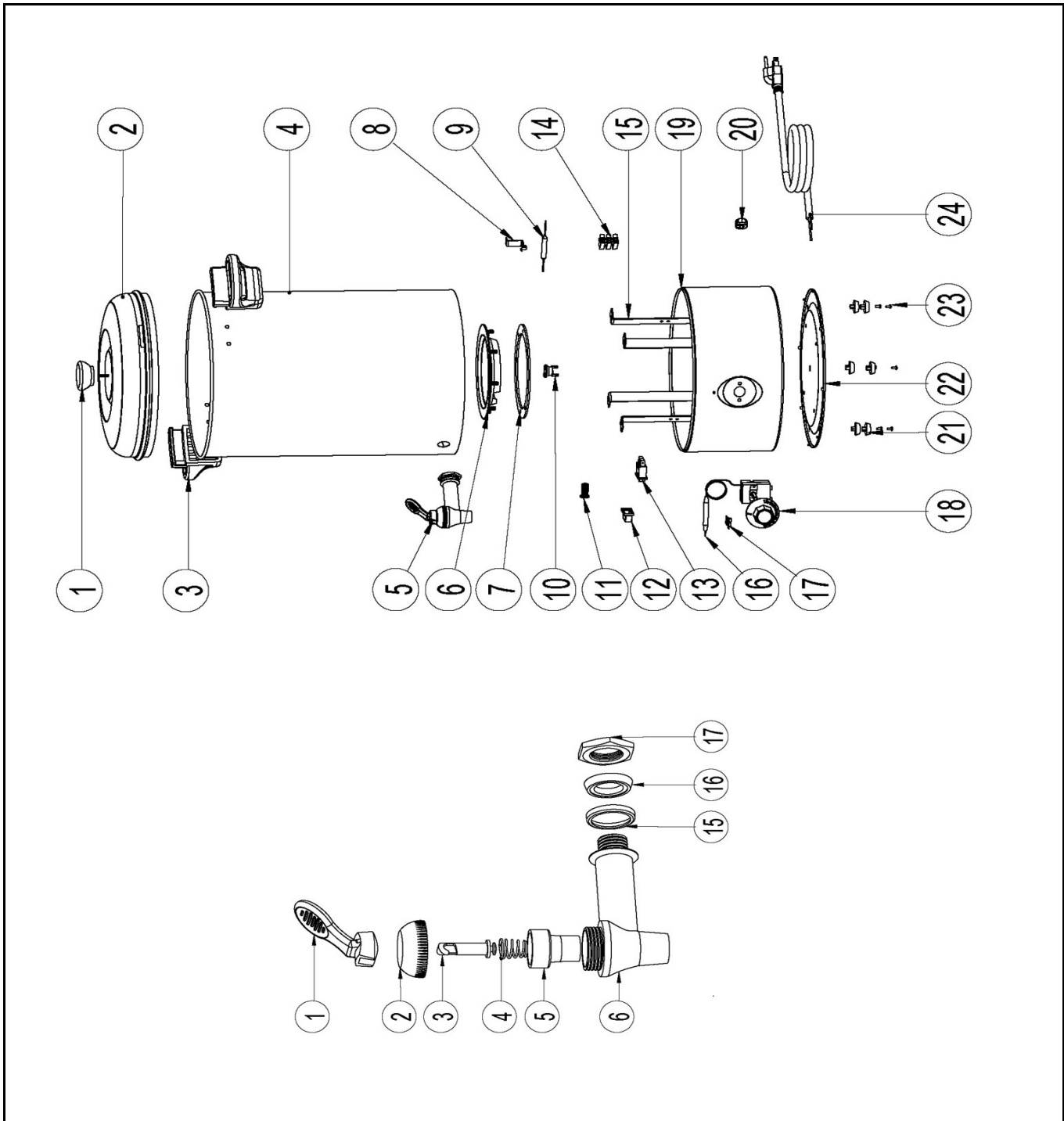



Drawing

 <p>Hendi B.V. Steenoven 21 3911 TX Rhenen The Netherlands</p>	Batch #	Appliance part#
	0000000	209905
	Description	
	Hot drinks boiler 30L	

Date	07-06-2011	Revision #	Revision version
Revision	First bill of materials (BOM)		



Bill of materials (BOM)

 Hendi B.V. Steenoven 21 3911 TX Rhenen The Netherlands	Batch #	Appliance part#
	0000000	209905
	Description	
Hot drinks boiler 30L		


Date	07-06-2011	Revision #	Revision version
Revision	First bill of materials (BOM)		

Item	Description	Part#	Quantity	Remark	Picture
1	Knob for lid	nss	1	Available as 904336	
2	Lid	904336	1	Incl item 1	
3	Handle container	n/a	2		
4	Container	n/a	1		
5	Faucet	904305	1	Incl item 5-1 until 5-17	
5-1	handle	nss	1	Available as 904305	
5-2	Cap	nss	1	Available as 904305	
5-3	Lever	nss	1	Available as 904305	
5-4	Spring	nss	1	Available as 904305	
5-5	Gasket	nss	1	Available as 904305	
5-6	Main body	nss	1	Available as 904305	
5-15	Ring	nss	1	Available as 904305	
5-16	Gasket	nss	1	Available as 904305	
5-17	Nut	nss	1	Available as 904305	
6	Element	209912	1		
7	Gasket element	904367	1		
8	Holder thermal fuse	n/a	1		
9	Thermal fuse	208441	1	(144 degrees celcius)	
10	Hi-limiter	904312	1	(120 degrees celcius)	
11	Indication light	902059	1		
12	Switch cover	nss	1	Available as 904398	
13	Switch	904398	1	Incl item 12	
14	Terminal	904381	1		
15	Holdr bottom cover	n/a	1		
16	Thermostat	904350	1		
17	Holder probe thermostat	n/a	1		
18	Knob thermostat	904343	1		
19	Lower Housing	n/a	1		
20	Cord inlet retention	904374	1		
21	Foot	900574	6	Incl item 23	
22	Bottom cover	n/a	1		
23	Pin foot	nss	6	Available as 900574	
24	Powercord	930045	1		

n/a -> not available

nss -> not sold separately

Circuit diagram

 Hendi B.V. Steenoven 21 3911 TX Rhenen The Netherlands	Batch #	Appliance part#
	0000000	209905
	Description	
	Hot drinks boiler 30L	

Date	07-06-2011	Revision #	Revision version
Revision	First bill of materials (BOM)		

