

Drawing



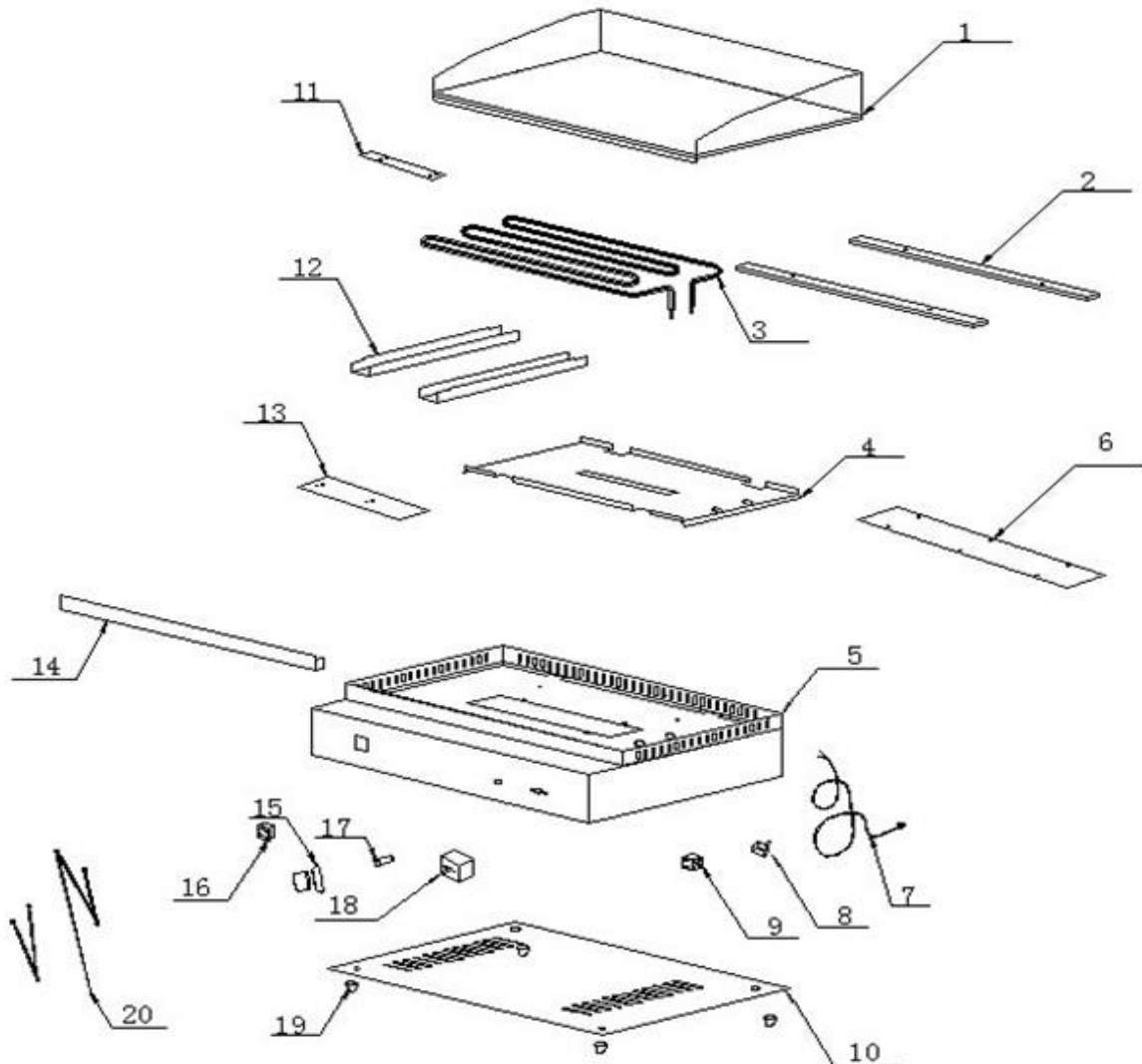
Hendi B.V.  
Steenoven 21  
3911 TX Rhenen  
The Netherlands

Batch #  
0000000


Appliance part#  
203125

Description  
Griddle Blue Line

Date	29-06-2015	Revision #	Revision version
Revision	First bill of materials (BOM).		



**Bill of materials (BOM)**

 <b>HENDI</b> FOOD SERVICE EQUIPMENT  <b>Hendi B.V.</b> Steenoven 21 3911 TX Rhenen The Netherlands	<b>Batch #</b>	<b>Appliance part#</b>
	0000000	203125
	<b>Description</b>	
Griddle Blue Line		


<b>Date</b>	29-06-2015	<b>Revision #</b>	Revision version
<b>Revision</b>	First bill of materials (BOM).		

Item	Description	Part#	Quantity	Remark	Picture
1	Griddle plate (flat)	n/a	1		
2	Bracket	n/a	2		
3	Element 2000W	934692	1		
4	Cover element	n/a	1		
5	Housing	n/a	1		
6	Cover	n/a	1		
7	Power cord	930045	1		
8	Hi-Limiter	929858	1		
9	Terminal	929940	1		
10	Bottom cover	n/a	1		
11	Bracket	n/a	1		
12	Bracket	n/a	2		
13	Cover	n/a	1		
14	Drip tray	934708	1		
15	Knob	929865	1		
16	Switch	205426	1		
17	Indicator light	929889	1		
18	Thermostat	902011	1		
19	Feet	929896	4		
20	Wiring set	n/a	1		

n/a -> not available

nss -> not sold separately

### Circuit diagram

 <b style="font-size: 2em; font-weight: bold; color: red;">HENDI</b> <small>FOOD SERVICE EQUIPMENT</small> <b>Hendi B.V.</b> Steenoven 21 3911 TX Rhenen The Netherlands	Batch #	Appliance part#
	0000000	203125
	Description	
	Griddle Blue Line	

<b>Date</b>	29-06-2015	<b>Revision #</b>	Revision version
<b>Revision</b>	First bill of materials (BOM).		

