

Drawing



Hendi B.V.
Steenoven 21
3911 TX Rhenen
The Netherlands

Batch #

000000 until 101916

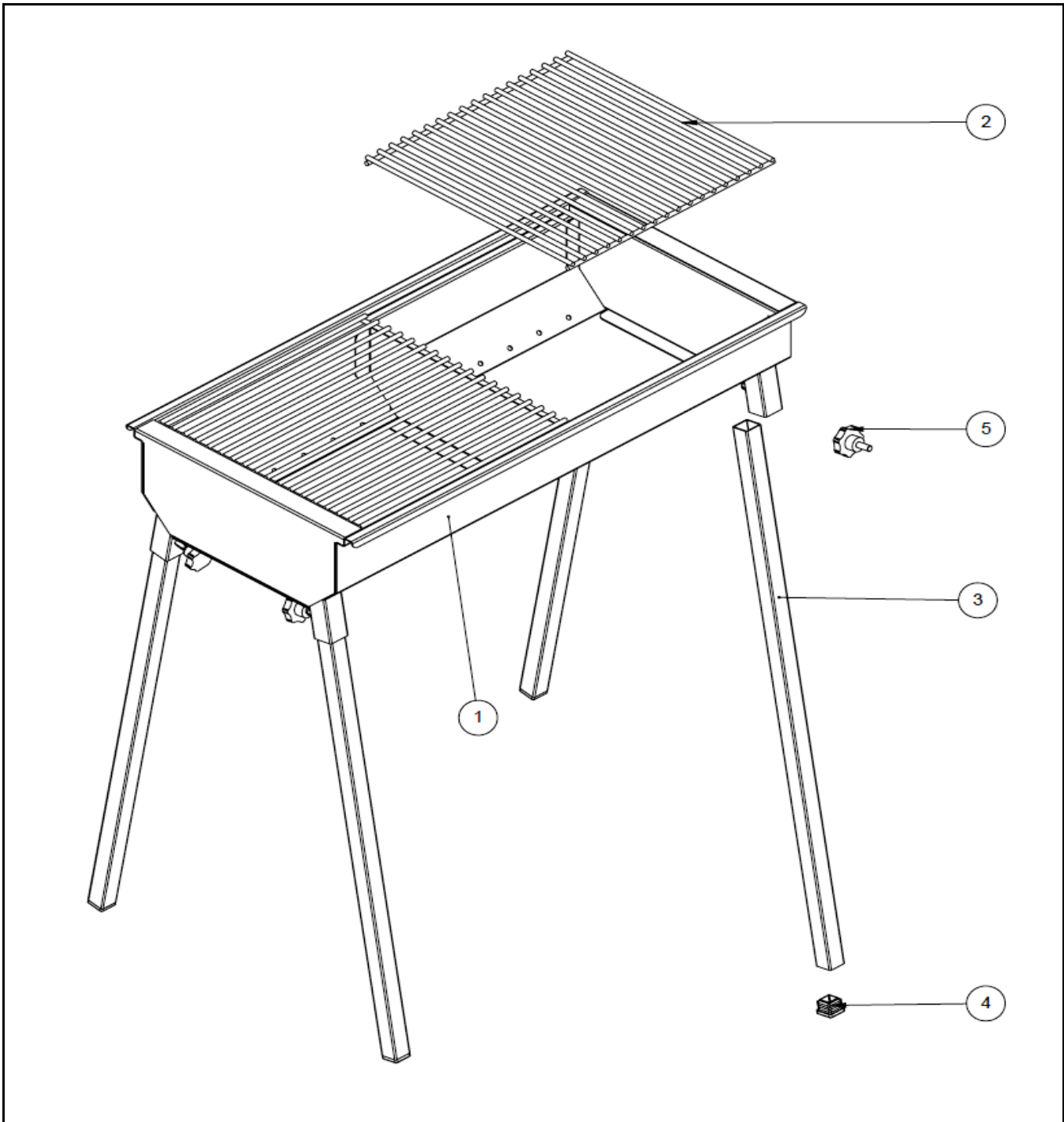
Appliance part#

150603


Description

Charcoal barbecue "Patio"

Date	11-02-2013	Revision #	Revision version
Revision	First bill of materials (BOM)		



Bill of materials (BOM)

 <p>Hendi B.V. Steenoven 21 3911 TX Rhenen The Netherlands</p>	Batch #	Appliance part#
	000000 until 101916	150603
	Description	
Charcoal barbecue "Patio"		

Date	11-02-2013	Revision #	Revision version
Revision	First bill of materials (BOM)		

Item	Description	Part#	Quantity	Remark	Picture
1	Frame	n/a	1		
2	Cooking grid	151617	2		
3	Leg	150818	4		
4	Plastic insert 25x25x1,2mm	150832	4		
5	Star knob	145128	4		

n/a -> not available

nss -> not sold separately